

Connector - SACC-M 8FS-3QO-0,5-M



1441066

<https://www.phoenixcontact.com/pc/products/1441066>

Please be informed that the data shown in this PDF document is generated from our Online Catalog. Please find the complete data in the user documentation. Our General Terms of Use for Downloads are valid.



Connector, Universal, 3-position, Socket straight M8, Coding: A, Insulation displacement connection, knurl material: Zinc die-cast, nickel-plated, external cable diameter 2.5 mm ... 5 mm

Your advantages

- Safe use in the field, thanks to a high degree of protection
- Insulation displacement connection: innovative and time-saving assembly without stripping the single wire

Connector - SACC-M 8FS-3QO-0,5-M



1441066

<https://www.phoenixcontact.com/pc/products/1441066>

Commercial Data

Item number	1441066
Packing unit	1 pc
Minimum order quantity	1 pc
Product Key	BF2BCA
Catalog Page	Page 16 (C-2-2019)
GTIN	4046356515955
Weight per Piece (including packing)	7.2 g
Weight per Piece (excluding packing)	6.6 g
Customs tariff number	85366990
Country of origin	DE

Connector - SACC-M 8FS-3QO-0,5-M

1441066

<https://www.phoenixcontact.com/pc/products/1441066>

Technical Data

Notes

Assembly instruction:

NOTE: Observe the permissible bending radii when laying conductors, since the degree of protection may be put in jeopardy if the bending forces are too high. Alleviate mechanical loads upstream of the connector, e.g. by using cable ties.

Product properties

Product type	Circular connector (cable-side)
Number of positions	3
No. of cable outlets	1
Shielded	no
Coding	A - standard
Cable outlet	straight

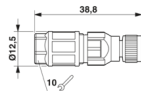
Insulation characteristics

Overvoltage category	II
Degree of pollution	3

Ambient conditions

Degree of protection	IP65 IP67
Ambient temperature (operation)	-25 °C ... 80 °C (Plug / socket)

Dimensions

Dimensional drawing	
Length	38.8 mm

External dimensions

Outside diameter	2.5 mm ... 5 mm ±0.2 mm
------------------	-------------------------

Housing

Diameter housing	12.5 mm
------------------	---------

Connector

Insertion/withdrawal cycles	≥ 100
-----------------------------	-------

Header 1

Head design	Socket
Head cable outlet	straight
Head thread type	M8

Connector - SACC-M 8FS-3QO-0,5-M



1441066

<https://www.phoenixcontact.com/pc/products/1441066>

Coding	A-coded
Number of positions	3
Coding	A - standard
Insertion/withdrawal cycles	≥ 100
Connection method	Insulation displacement connection
Contact material	CuSn
Contact surface material	Ni/Au
Number of positions	3
Coding	A - standard
Insertion/withdrawal cycles	≥ 100
Connection method	Insulation displacement connection
Contact material	CuSn
Contact surface material	Ni/Au

Electrical properties

Rated surge voltage	0.8 kV
Contact resistance	≤ 5 mΩ
Insulation resistance	≥ 100 MΩ
Nominal voltage U _N	48 V AC
	60 V DC
Nominal current I _N	4 A

Material specifications

Color Handle area	black
Flammability rating according to UL 94	HB
Sealing material	NBR
Material of grip body	PA 6
Contact material	CuSn
Contact surface material	Ni/Au
Contact carrier material	TPU GF
Cable gland material	Zinc die-cast, nickel-plated
Wire insulation material	PVC / PE / PP / rubber

Connection data

Conductor connection

Connection method	Insulation displacement connection
Conductor cross section flexible	0.25 mm ² ... 0.5 mm ²
Cross section AWG	24 ... 20

Pin assignment

Contact Color (signal designation) Contact (optional)	1 = BN
	3 = BU
	4 = BK

Connector - SACC-M 8FS-3QO-0,5-M



1441066

<https://www.phoenixcontact.com/pc/products/1441066>

Standards and regulations

M8

Standards/specifications	IEC 61076-2-104
--------------------------	-----------------

Cable / line

Cable structure

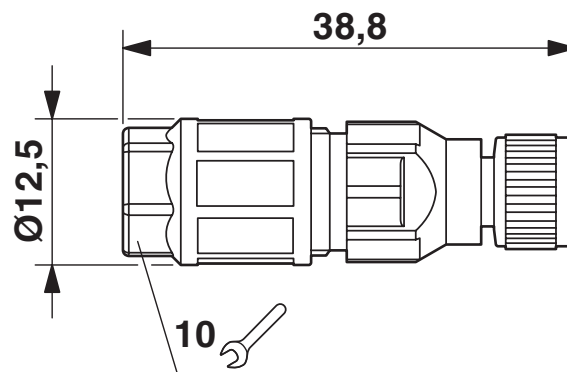
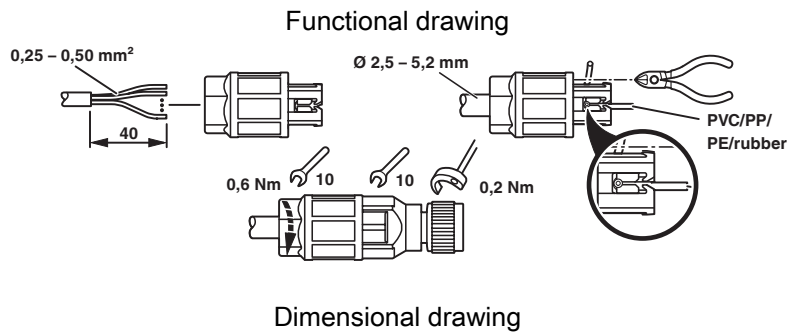
Signal type/category	Universal
External cable diameter	2.5 mm ... 5 mm

Connector - SACC-M 8FS-3QO-0,5-M

1441066

<https://www.phoenixcontact.com/pc/products/1441066>

Drawings



Socket M8 x 1, straight

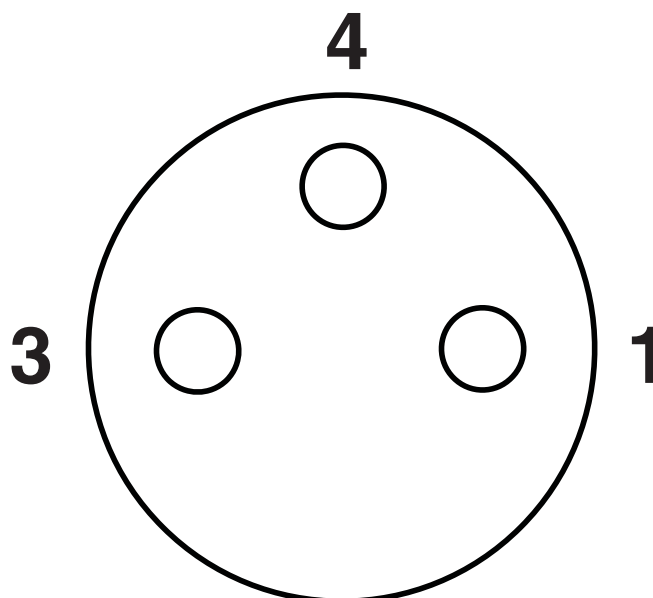
Connector - SACC-M 8FS-3QO-0,5-M

1441066

<https://www.phoenixcontact.com/pc/products/1441066>



Schematic diagram



Pin assignment of M8 socket, 3-pos., view of pin side


Connector - SACC-M 8FS-3QO-0,5-M





1441066


<https://www.phoenixcontact.com/pc/products/1441066>


Approvals

 cUL Recognized Approval ID: FILE E 118976				
	Nominal Voltage U_N	Nominal Current I_N	Cross Section AWG	Cross Section mm^2
	29 V	4 A	24 - 20	-

 UL Recognized Approval ID: FILE E 118976				
	Nominal Voltage U_N	Nominal Current I_N	Cross Section AWG	Cross Section mm^2
	29 V	4 A	24 - 20	-

 EAC Approval ID: RU C-DE.AI30.B.01102				
---	--	--	--	--

 EAC Approval ID: EAC-Zulassung				
--	--	--	--	--

 EAC Approval ID: RU C-DE.BL08.B.00511				
---	--	--	--	--

cULus Recognized				
-------------------------	--	--	--	--

Connector - SACC-M 8FS-3QO-0,5-M



1441066

<https://www.phoenixcontact.com/pc/products/1441066>

Classifications

ECLASS

ECLASS-10.0.1	27440102
ECLASS-9.0	27440102
ECLASS-11.0	27440102

ETIM

ETIM 8.0	EC002635
----------	----------

UNSPSC

UNSPSC 21.0	39121400
-------------	----------

Connector - SACC-M 8FS-3QO-0,5-M



1441066

<https://www.phoenixcontact.com/pc/products/1441066>

Environmental Product Compliance

China RoHS	Environmentally friendly use period: unlimited = EFUP-e
	No hazardous substances above threshold values

Connector - SACC-M 8FS-3QO-0,5-M

1441066

<https://www.phoenixcontact.com/pc/products/1441066>

Accessories

Screw plug

Screw plug - PROT-M 8 MS-PA-CHAIN - 1430860

<https://www.phoenixcontact.com/pc/products/1430860>

M8 sealing cap made of plastic with fixing band for sensor cables, for M8 sockets



Cable reel

Cable reel - SAC-3P-100,0-PUR/0,25 - 1501689

<https://www.phoenixcontact.com/pc/products/1501689>

By the meter, Cable reel, PUR halogen-free, black-gray RAL 7021, 3-wire, color single wire: brown, blue, black, cable length: 100 m



Connector - SACC-M 8FS-3QO-0,5-M

1441066

<https://www.phoenixcontact.com/pc/products/1441066>

Cable reel

Cable reel - SAC-3P-100,0-PUR/0,34 - 1501650

<https://www.phoenixcontact.com/pc/products/1501650>



By the meter, Cable reel, PUR halogen-free, black-gray RAL 7021, 3-wire, color single wire: brown, blue, black, cable length: 100 m

Torque screwdriver

Torque screwdriver - TSD 02 SAC - 1208487

<https://www.phoenixcontact.com/pc/products/1208487>



Torque screwdriver, with preset torque of 0.2 Nm and 4 mm hexagonal drive for M8 connectors

Connector - SACC-M 8FS-3QO-0,5-M

1441066

<https://www.phoenixcontact.com/pc/products/1441066>

Torque screwdriver

Torque screwdriver - TSD-M 1,2NM - 1212224

<https://www.phoenixcontact.com/pc/products/1212224>



Torque screw driver, accuracy as per EN ISO 6789 standard, adjustable from 0.3 - 1.2 Nm

Adapter insert

Adapter insert - TSD-M SAC-BIT ADAPTER - 1212600

<https://www.phoenixcontact.com/pc/products/1212600>



Adapter bit for TSD-M...torque tools, E6.3-1/4" drive with 4 mm hexagon to accommodate SAC bits

Connector - SACC-M 8FS-3QO-0,5-M

1441066

<https://www.phoenixcontact.com/pc/products/1441066>

Tool

Tool - SAC BIT M8-D10 - 1208461

<https://www.phoenixcontact.com/pc/products/1208461>



Nut for assembling M8 connectors with longitudinal knurl and a knurl diameter of 10 mm, for 4 mm hexagonal drive

Phoenix Contact 2022 © - all rights reserved

<https://www.phoenixcontact.com>

PHOENIX CONTACT GmbH & Co. KG

Flachsmarktstraße 8

D-32825 Blomberg

+49 (0) 5235-3 00

info@phoenixcontact.com