

Housing - HC-STA-B10-BWSC-ELC-AL



1411321

<https://www.phoenixcontact.com/pc/products/1411321>

Please be informed that the data shown in this PDF document is generated from our Online Catalog. Please find the complete data in the user documentation. Our General Terms of Use for Downloads are valid.



HEAVYCON panel mounting base, B10, with single locking latch, with plastic protective cover, with flat gasket, salt-water-resistant aluminum, conductive profile gasket.

Your advantages

- good shielding in the event of electromagnetic interference

Housing - HC-STA-B10-BWSC-ELC-AL



1411321

<https://www.phoenixcontact.com/pc/products/1411321>

Commercial Data

Item number	1411321
Packing unit	1 pc
Minimum order quantity	1 pc
Product Key	BF7APB
Catalog Page	Page 605 (C-2-2019)
GTIN	4046356927222
Weight per Piece (including packing)	133.1 g
Weight per Piece (excluding packing)	129.8 g
Customs tariff number	85389099
Country of origin	CN

1411321

<https://www.phoenixcontact.com/pc/products/1411321>

Technical Data

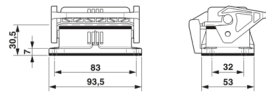
Notes

General	For contact inserts HC-B10, BB18, DD42, M, K8/24
---------	--

Product properties

Type	B10
Product type	Housing with locking latch
Application	Standard
Housing type	Panel mounting base
Protective cover	yes
Locking type	with single locking latch
Pg screw connection	none

Dimensions

Dimensional drawing	
Width	53 mm
Height	30.5 mm
Length	93.5 mm
Drill hole distance, horizontal	83 mm
Drill hole distance, vertical	32 mm
Hole diameter	4.5 mm

Installation dimensions

Width of the assembly cutout	35 mm
Length of the assembly cutout	65 mm

Material specifications

Color	gray aluminum
Flammability rating according to UL 94	V0 (Interlock)
	V0 (Protective cover)
Sealing material	NBR, conductive (profile gasket)
	NBR, conductive (Flat gasket)
Housing surface material	uncoated
Material, protective cover	PC
Locking latch material	PA
Impact strength	IK08
Housing material	Die-cast aluminum, salt water resistant

Ambient conditions

Degree of protection	IP66 (with locked protective cover)
----------------------	-------------------------------------

Housing - HC-STA-B10-BWSC-ELC-AL



1411321

<https://www.phoenixcontact.com/pc/products/1411321>

	IP67 (when plugged in)
Impact strength	IK08
Ambient temperature (operation)	-40 °C ... 125 °C

Mechanical properties

Mechanical data

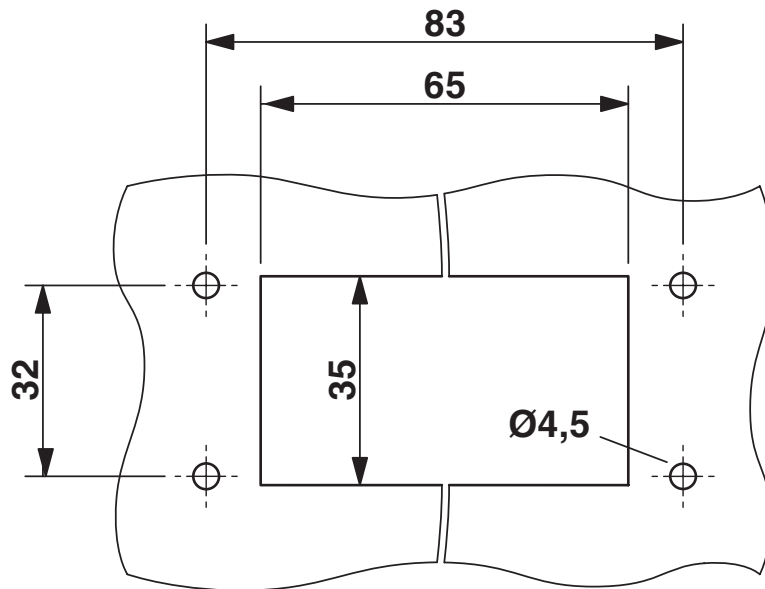
Locking type	Latch
--------------	-------

1411321

<https://www.phoenixcontact.com/pc/products/1411321>

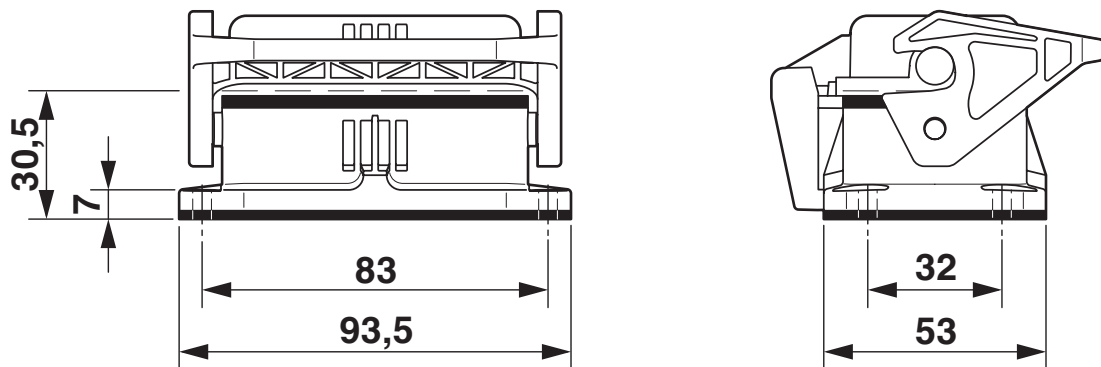
Drawings

Dimensional drawing



Mounting cutout

Dimensional drawing



Dimensional drawing

Housing - HC-STA-B10-BWSC-ELC-AL



1411321

<https://www.phoenixcontact.com/pc/products/1411321>

Approvals

DNV

Approval ID: TAE000037S

ERC

EAC

Approval ID: RU C-DE.AI30.B.01102

ERC

EAC

Approval ID: RU C-DE.BL08.B.00511

1411321

<https://www.phoenixcontact.com/pc/products/1411321>

Classifications

ECLASS

ECLASS-9.0	27440202
ECLASS-10.0.1	27440202
ECLASS-11.0	27440202

ETIM

ETIM 8.0	EC000437
----------	----------

UNSPSC

UNSPSC 21.0	31261500
-------------	----------

Housing - HC-STA-B10-BWSC-ELC-AL



1411321

<https://www.phoenixcontact.com/pc/products/1411321>

Environmental Product Compliance

China RoHS	Environmentally friendly use period: unlimited = EFUP-e
	No hazardous substances above threshold values

1411321

<https://www.phoenixcontact.com/pc/products/1411321>

Accessories

Profile gasket

Profile gasket - HC-B10-SP-CBK - 1411479

<https://www.phoenixcontact.com/pc/products/1411479>

Profile gasket for HEAVYCON EVO supporting base element type B10, conductive



Flat gasket

Flat gasket - HC-B10-SG-CBK - 1411484

<https://www.phoenixcontact.com/pc/products/1411484>

Replacement flat gasket, for HEAVYCON panel mounting base, HC-STA....AL, type B10, conductive



Housing - HC-STA-B10-BWSC-ELC-AL

1411321

<https://www.phoenixcontact.com/pc/products/1411321>

Housing brackets

Housing brackets - HC-STA-B10-SL-PLBK - 1412804

<https://www.phoenixcontact.com/pc/products/1412804>



Single locking latch for B10 housing, HC-EVO....AL and HC-STA....AL

Phoenix Contact 2022 © - all rights reserved

<https://www.phoenixcontact.com>

PHOENIX CONTACT GmbH & Co. KG

Flachsmarktstraße 8

D-32825 Blomberg

+49 (0) 5235-3 00

info@phoenixcontact.com