

# Contact insert - HC-B06-I-PT-M

1407728

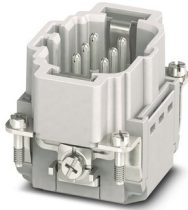
<https://www.phoenixcontact.com/pc/products/1407728>



Please be informed that the data shown in this PDF document is generated from our Online Catalog. Please find the complete data in the user documentation. Our General Terms of Use for Downloads are valid.

---

HEAVYCON pin insert, B6 series, 6 + PE-pos., push-in connection



---

## Your advantages

- Easy installation without tools, even when mounted, with push-in connection technology
- Shortest installation time compared to other connection technologies
- Quick and effortless wiring, in particular when space is tight
- Automatic cabling with robots possible
- Safe wiring and operation with color-coded actuators
- Shock and vibration-resistant in accordance with DIN EN 61373
- Cost-effective and fast coding with plastic profiles
- Test connection for 2 mm test plug

# Contact insert - HC-B06-I-PT-M



1407728

<https://www.phoenixcontact.com/pc/products/1407728>

## Commercial Data

Item number	1407728
Packing unit	1 pc
Minimum order quantity	1 pc
Product Key	BF7ABC
Catalog Page	Page 541 (C-2-2019)
GTIN	4046356777537
Weight per Piece (including packing)	46.9 g
Weight per Piece (excluding packing)	46.9 g
Customs tariff number	85366990
Country of origin	CN

# Contact insert - HC-B06-I-PT-M

1407728

<https://www.phoenixcontact.com/pc/products/1407728>

## Technical Data

### Notes

General	only use flexible conductors with ferrules
General	Connectors may be operated only when there is no load/voltage.

### Product properties

Type	B6
Product type	Contact insert with a fixed no. of positions
Number of positions	6
Connection profile	6+PE
Application	Power
Number of connections per position	1
Contact type	rolled
Series	HC-B

### Insulation characteristics

Overvoltage category	III
Degree of pollution	3

### Connection data

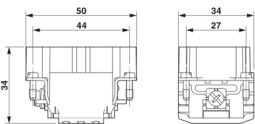
#### Connection technology

Connection technology	Push-in connection
Number of connections per position	1

#### Conductor connection

Connection cross section AWG	26 ... 14
Stripping length	8 mm ... 10 mm

### Dimensions

Dimensional drawing	
Width	34 mm
Height	34.4 mm
Length	50.5 mm
Drill hole distance, horizontal	44 mm
Drill hole distance, vertical	27 mm

### Mechanical characteristics

Contact diameter	2.5 mm
------------------	--------

### Electrical properties

# Contact insert - HC-B06-I-PT-M



1407728

<https://www.phoenixcontact.com/pc/products/1407728>

Rated voltage (III/3)	500 V
Rated surge voltage	6 kV
Rated current	16 A (power contacts)
SCCR	5 kA (UL 2237)

## Material specifications

Flammability rating according to UL 94	V0
Contact material	Copper alloy
Contact surface material	Ag/Sn (tarnish protection)
Contact carrier material	PC
Standards/regulations	PC: Fire protection in rail vehicles - requirement sets R22, R23, and R24 acc. to DIN EN 45545-2 (Risk level HL1 - HL3)

## Connector

Insertion/withdrawal cycles	≥ 500
Application	Power
Contact type	Pin
Number of positions	6
Connection profile	6+PE
Insertion/withdrawal cycles	≥ 500
Connection method	Push-in connection
Contact material	Copper alloy
Contact surface material	Ag/Sn (tarnish protection)
Application	Power
Contact type	Pin
Number of positions	6
Connection profile	6+PE
Insertion/withdrawal cycles	≥ 500
Connection method	Push-in connection
Contact material	Copper alloy
Contact surface material	Ag/Sn (tarnish protection)

## Mounting

Assembly instructions	To ensure correct use, installation in housing with IP54 protection or better is required
-----------------------	---

## Ambient conditions

Ambient temperature (operation)	-40 °C ... 125 °C (including heating up of contacts)
---------------------------------	--

## Standards and regulations

### Testing

Standards/regulations	PC: Fire protection in rail vehicles - requirement sets R22, R23, and R24 acc. to DIN EN 45545-2 (Risk level HL1 - HL3)
-----------------------	---

# Contact insert - HC-B06-I-PT-M

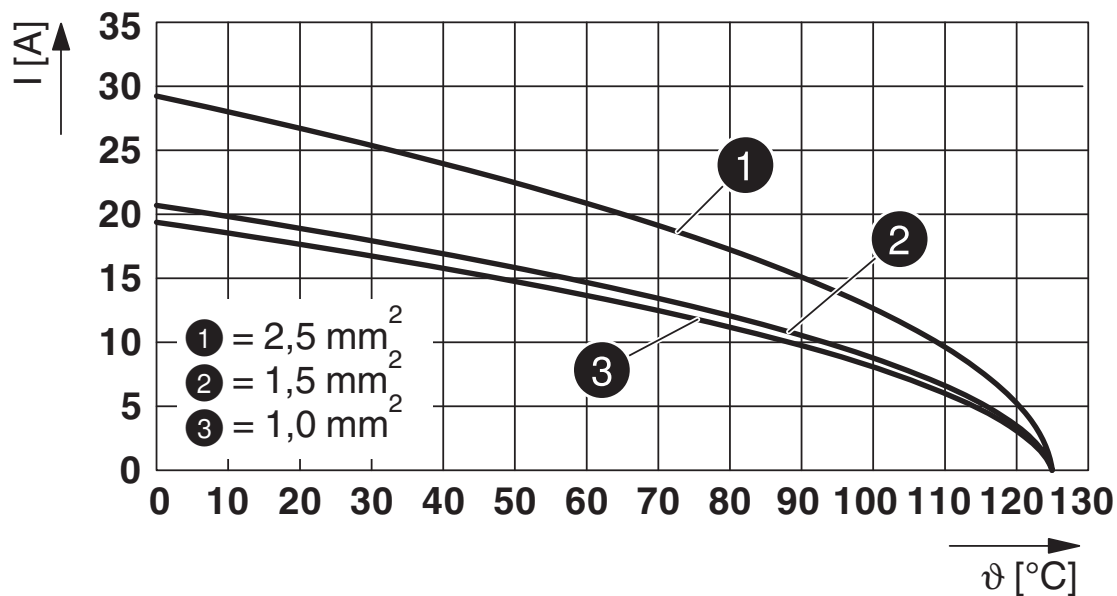


1407728

<https://www.phoenixcontact.com/pc/products/1407728>

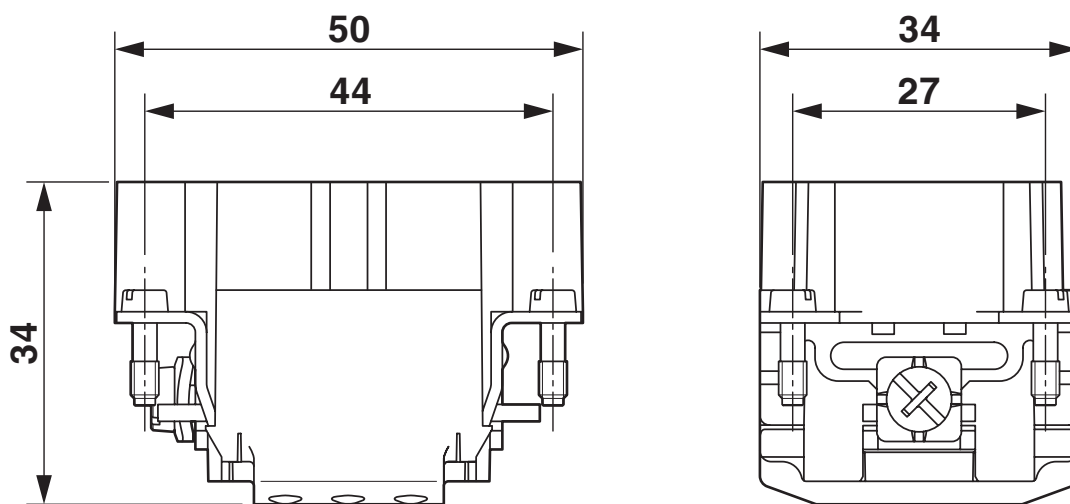
## Drawings

Diagram



Derating diagram

Dimensional drawing



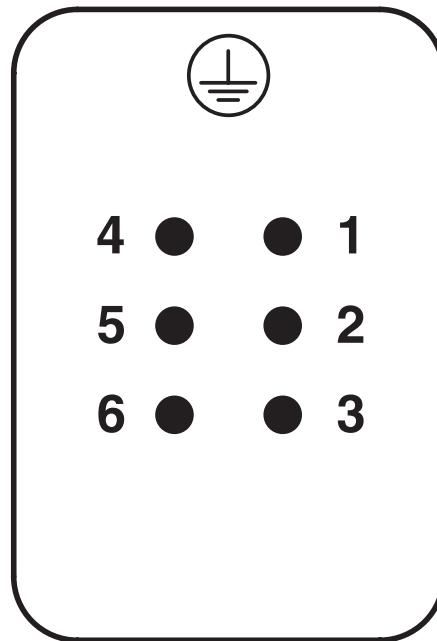
Dimensional drawing

# Contact insert - HC-B06-I-PT-M

1407728

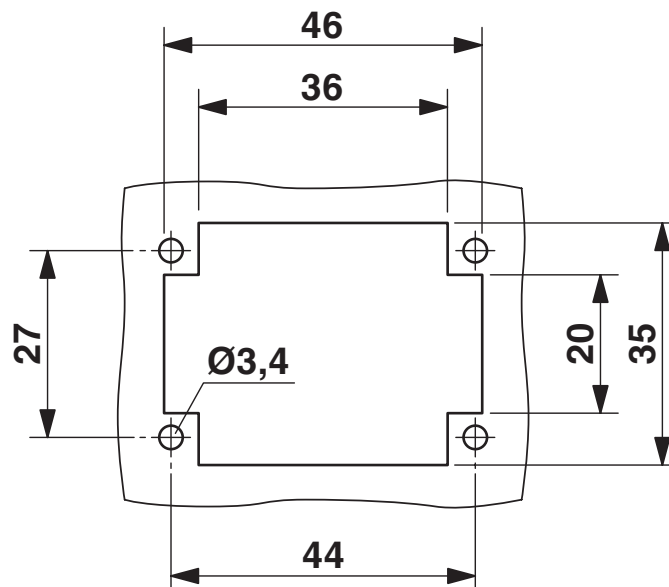
<https://www.phoenixcontact.com/pc/products/1407728>

Schematic diagram



Connector pin assignment, connection side

Dimensional drawing



Mounting cutout when used without housing

# Contact insert - HC-B06-I-PT-M



1407728

<https://www.phoenixcontact.com/pc/products/1407728>

## Approvals

**DNV**

Approval ID: TAE000037S



**CSA**

Approval ID: 13631

Nominal Voltage $U_N$	Nominal Current $I_N$	Cross Section AWG	Cross Section $\text{mm}^2$
600 V	13 A	- 14	-



**UL Recognized**

Approval ID: FILE E 118976

Nominal Voltage $U_N$	Nominal Current $I_N$	Cross Section AWG	Cross Section $\text{mm}^2$
600 V	13 A	- 14	-



**EAC**

Approval ID: RU C-DE.AI30.B.01102



**cULus Recognized**

Approval ID: E468743

Nominal Voltage $U_N$	Nominal Current $I_N$	Cross Section AWG	Cross Section $\text{mm}^2$
600 V	13 A	- 14	-



**EAC**

Approval ID: RU C-DE.BL08.B.00511

# Contact insert - HC-B06-I-PT-M



1407728

<https://www.phoenixcontact.com/pc/products/1407728>

## Classifications

### ECLASS

ECLASS-9.0	27440205
ECLASS-10.0.1	27440205
ECLASS-11.0	27440205

### ETIM

ETIM 8.0	EC000438
----------	----------

### UNSPSC

UNSPSC 21.0	39121500
-------------	----------



# Contact insert - HC-B06-I-PT-M



1407728

<https://www.phoenixcontact.com/pc/products/1407728>

## Environmental Product Compliance

China RoHS	Environmentally friendly use period: unlimited = EFUP-e
	No hazardous substances above threshold values

# Contact insert - HC-B06-I-PT-M

1407728

<https://www.phoenixcontact.com/pc/products/1407728>



## Accessories

### Electrical crimping tool

Electrical crimping tool - CF CRIMPHANDY 0,5 - 1212463

<https://www.phoenixcontact.com/pc/products/1212463>



Mobile handheld device, battery-powered, for processing on-tape ferrules 0.5 mm<sup>2</sup> with functional end, suitable for PVC insulated conductors (H05V-K), incl. battery, charger, CUTFOX 12 cable cutter, waste guide plate 2, service tool for error correction, and one strip of ferrules 0.5 mm<sup>2</sup>, packed in a robust case.

---

### Electrical crimping tool

Electrical crimping tool - CF CRIMPHANDY 0,75 - 1212464

<https://www.phoenixcontact.com/pc/products/1212464>



Mobile handheld device, battery-powered, for processing on-tape ferrules 0.75 mm<sup>2</sup> with functional end, suitable for PVC insulated conductors (H05V-K), incl. battery, charger, CUTFOX 12 cable cutter, waste guide plate 2, service tool for error correction, and one strip of ferrules 0.75 mm<sup>2</sup>, packed in a robust case.

# Contact insert - HC-B06-I-PT-M

1407728

<https://www.phoenixcontact.com/pc/products/1407728>



## Electrical crimping tool

Electrical crimping tool - CF CRIMPHANDY 1,0 - 1212465

<https://www.phoenixcontact.com/pc/products/1212465>



Mobile handheld device, battery-powered, for processing on-tape ferrules 1.0 mm<sup>2</sup> with functional end, suitable for PVC insulated conductors (H05V-K), incl. battery, charger, CUTFOX 12 cable cutter, waste guide plate 2, service tool for error correction, and one strip of ferrules 1.0 mm<sup>2</sup>, packed in a robust case.

---

## Electrical crimping tool

Electrical crimping tool - CF CRIMPHANDY 1,5 - 1212466

<https://www.phoenixcontact.com/pc/products/1212466>



Mobile handheld device, battery-powered, for processing on-tape ferrules 1.5 mm<sup>2</sup> with functional end, suitable for PVC insulated conductors (H07V-K), incl. battery, charger, CUTFOX 12 cable cutter, waste guide plate 2, service tool for error correction, and one strip of ferrules 1.5 mm<sup>2</sup>, packed in a robust case.

# Contact insert - HC-B06-I-PT-M

1407728

<https://www.phoenixcontact.com/pc/products/1407728>



## Coding bolt

Coding bolt - HC-CB - 1772722

<https://www.phoenixcontact.com/pc/products/1772722>



Coding pin, prevents mismatching of up to six connectors with an identical number of positions

---

## Strain relief clamp

Strain relief clamp - HC-B-ZG - 1685327

<https://www.phoenixcontact.com/pc/products/1685327>



Strain relief clamps contact inserts of series: B-, BB-, D 40, D 64, DD and HV, straight cable exit

# Contact insert - HC-B06-I-PT-M

1407728

<https://www.phoenixcontact.com/pc/products/1407728>



## Strain relief clamp

Strain relief clamp - HC-B-ZS - 1685330

<https://www.phoenixcontact.com/pc/products/1685330>



Strain relief clamps contact inserts of series: B-, BB-, D 40, D 64, DD and HV, lateral cable exit

---

## Screw

Screw - HC-B-PES - 1604997

<https://www.phoenixcontact.com/pc/products/1604997>



PE screw, for contact inserts HC-B / HC-BB / HC-DD / HC-D40 / HC-D64

# Contact insert - HC-B06-I-PT-M

1407728

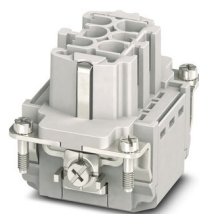
<https://www.phoenixcontact.com/pc/products/1407728>



## Contact insert

Contact insert - HC-B06-I-PT-F - 1407727

<https://www.phoenixcontact.com/pc/products/1407727>



HEAVYCON socket insert, B6 series, 6 + PE-pos., push-in connection

---

## DIN rail mounting frame

DIN rail mounting frame - HC-CIF-B06-HFWL-PL - 1424334

<https://www.phoenixcontact.com/pc/products/1424334>



DIN rail mounting frame, type: B6, for contact inserts, Top frame

# Contact insert - HC-B06-I-PT-M

1407728

<https://www.phoenixcontact.com/pc/products/1407728>



## DIN rail mounting frame

DIN rail mounting frame - HC-CIF-B06-24-BFAFL-PL - 1424338

<https://www.phoenixcontact.com/pc/products/1424338>



DIN rail mounting frame, type: B6 - B24, for contact inserts, Base frame

---

## Docking frames

Docking frames - HC-B 6-ANDOCK - 1586112

<https://www.phoenixcontact.com/pc/products/1586112>



Docking frames for racks, for type B6 contact inserts, with 4 M5 flat headed screws, slide-in offset for x/y axis of  $\pm 1.5$  mm

# Contact insert - HC-B06-I-PT-M

1407728

<https://www.phoenixcontact.com/pc/products/1407728>



## Adapter

Adapter - HC-B-PE-PT - 1054672

<https://www.phoenixcontact.com/pc/products/1054672>



PE adapter with PT connection, for 1 PE connection, for HC-B / HC-BB / HC-DD / HC-D40 / HC-D64 contact inserts

---

## Coding element

Coding element - HC-CST - 1676857

<https://www.phoenixcontact.com/pc/products/1676857>



Coding peg for coding up to 16 connectors



# Contact insert - HC-B06-I-PT-M

1407728

<https://www.phoenixcontact.com/pc/products/1407728>



## Coding element

Coding element - HC-CBU - 1676860

<https://www.phoenixcontact.com/pc/products/1676860>



Coding socket for coding up to 16 connectors

---

## Coding profile

Coding profile - CP-HC - 1686478

<https://www.phoenixcontact.com/pc/products/1686478>



Coding profile, 4 coding profiles per strip, for insertion in coding keyways

# Contact insert - HC-B06-I-PT-M

1407728

<https://www.phoenixcontact.com/pc/products/1407728>



## Adapter plate

Adapter plate - HC-B24/6-ADP-SS - 1034215

<https://www.phoenixcontact.com/pc/products/1034215>

Adapter plate, type: B24 to B6



---

## PE multiplier

PE multiplier - HC-B-2PE-PT - 1054675

<https://www.phoenixcontact.com/pc/products/1054675>

PE adapter with PT connection, for 2 PE connections, for HC-B / HC-BB / HC-DD / HC-D40 / HC-D64 contact inserts



# Contact insert - HC-B06-I-PT-M

1407728

<https://www.phoenixcontact.com/pc/products/1407728>



## PE multiplier

PE multiplier - HC-B-3PE - 1644326

<https://www.phoenixcontact.com/pc/products/1644326>

PE multiplier, for 3 PE connections, for HC-B / HC-BB / HC-DD / HC-D40 / HC-D64 contact inserts



---

## Crimping pliers

Crimping pliers - CRIMPFOX CENTRUS 6S - 1213144

<https://www.phoenixcontact.com/pc/products/1213144>

Crimping pliers, for uninsulated and insulated ferrules, DIN 46228 Part 1 and 4, from 0.14 mm<sup>2</sup> ... 6 mm<sup>2</sup>, also for TWIN ferrules up to 2 x 4 mm<sup>2</sup>, automatic cross section adjustment, lateral insertion, equipped with fall protection



# Contact insert - HC-B06-I-PT-M

1407728

<https://www.phoenixcontact.com/pc/products/1407728>

## Crimping pliers

Crimping pliers - CRIMPFOX CENTRUS 10S - 1213154

<https://www.phoenixcontact.com/pc/products/1213154>



Crimping pliers, for uninsulated and insulated ferrules, DIN 46228 Part 1 and 4, from 0.14 mm<sup>2</sup> ... 10 mm<sup>2</sup>, also for TWIN ferrules up to 2 x 4 mm<sup>2</sup>, automatic cross section adjustment, lateral insertion, equipped with fall protection

---

## Crimping pliers

Crimping pliers - CRIMPFOX 6 - 1212034

<https://www.phoenixcontact.com/pc/products/1212034>



Crimping pliers, for ferrules without insulating collar according to DIN 46228 Part 1 and ferrules with insulating collar according to DIN 46228 Part 4, 0.25 mm<sup>2</sup> ... 6.0 mm<sup>2</sup>, lateral entry, trapezoidal crimp

# Contact insert - HC-B06-I-PT-M

1407728

<https://www.phoenixcontact.com/pc/products/1407728>



## Crimping pliers

Crimping pliers - CRIMPFOX 10S - 1212045

<https://www.phoenixcontact.com/pc/products/1212045>



Crimping pliers, for ferrules without insulating collar according to DIN 46228 Part 1 and ferrules with insulating collar according to DIN 46228 Part 4, 0.14 mm<sup>2</sup> ... 10 mm<sup>2</sup>, unlockable pressure lock, lateral entry

---

Phoenix Contact 2022 © - all rights reserved

<https://www.phoenixcontact.com>

PHOENIX CONTACT GmbH & Co. KG

Flachsmarktstraße 8

D-32825 Blomberg

+49 (0) 5235-3 00

[info@phoenixcontact.com](mailto:info@phoenixcontact.com)