

Module carrier frame - HC-M-B10-MFH-H

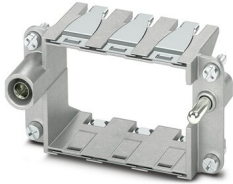


1182089

<https://www.phoenixcontact.com/pc/products/1182089>

Please be informed that the data shown in this PDF document is generated from our Online Catalog. Please find the complete data in the user documentation. Our General Terms of Use for Downloads are valid.

Module carrier frame, size: B10, type : for the sleeve side (A, B, C, ...), 4 mm² ... 6 mm²,
application: Module carrier frame



Module carrier frame - HC-M-B10-MFH-H



1182089

<https://www.phoenixcontact.com/pc/products/1182089>

Commercial Data

Item number	1182089
Packing unit	1 pc
Minimum order quantity	1 pc
Product Key	BF7ACD
GTIN	4063151219116
Weight per Piece (including packing)	60.5 g
Weight per Piece (excluding packing)	60 g
Customs tariff number	85389099
Country of origin	CN

Module carrier frame - HC-M-B10-MFH-H



1182089

<https://www.phoenixcontact.com/pc/products/1182089>

Technical Data

Notes

General	This product replaces 1417404 HC-M-B10-MF-H
---------	---

Product properties

Type	B10
Product type	Module carrier frame
Application	Module carrier frame
Number of module slots	3
Type	for the sleeve side (A, B, C, ...)
Series	HC-M-B
	HC-M-02
	HC-M-03
	HC-M-03/04
	HC-M-04
	HC-M-05
	HC-M-06
	HC-M-08
	HC-M-08-GBIT
	HC-M-12
	HC-M-17
	HC-M-20
	HC-M-25
	HC-M-DSUB
	HC-M-EMV
	HC-M-HV
HC-M-HS	
HC-M-00	
Frame type	Module carrier frame

Connection data

Conductor connection

Connection cross section AWG	12 ... 10 (for PE conductor - power side)
	18 ... 14 (for PE conductor - control side)
Torque	0.5 Nm ... 0.8 Nm (Mounting screws for mounting in the HEAVYCON housing)

Dimensions

Module carrier frame - HC-M-B10-MFH-H



1182089

<https://www.phoenixcontact.com/pc/products/1182089>

Dimensional drawing	
Width	34.9 mm
Height	36 mm
Length	64 mm

Material specifications

Color	silver
Contact carrier material	Die-cast zinc alloy

Connector

Insertion/withdrawal cycles	≥ 500
-----------------------------	-------

Environmental and real-life conditions

Ambient conditions

Ambient temperature (operation)	-40 °C ... 125 °C
---------------------------------	-------------------

Mounting

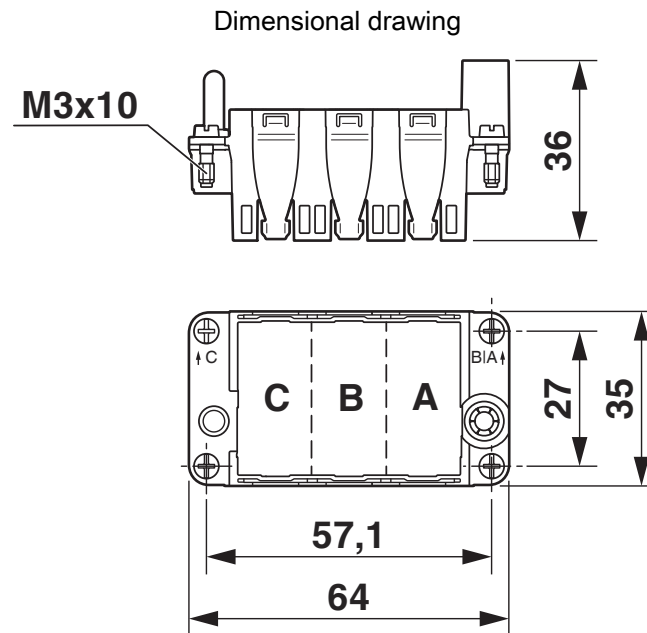
Assembly instructions	HC-MHR-PE16 (1636981) for PE connection extension to 16 mm ² . Use wire end protection for PE wires (PE connection screws without wire protection) for housings without lateral connectors, max. thread length of the screw connection 12 mm
-----------------------	---

Module carrier frame - HC-M-B10-MFH-H

1182089

<https://www.phoenixcontact.com/pc/products/1182089>

Drawings



Dimensional drawing

Module carrier frame - HC-M-B10-MFH-H



1182089

<https://www.phoenixcontact.com/pc/products/1182089>

Approvals



CSA

Approval ID: 13631



UL Recognized

Approval ID: E118976

Module carrier frame - HC-M-B10-MFH-H



1182089

<https://www.phoenixcontact.com/pc/products/1182089>

Classifications

ECLASS

ECLASS-9.0	27440206
ECLASS-10.0.1	27440206
ECLASS-11.0	27440206

ETIM

ETIM 8.0	EC002312
----------	----------

UNSPSC

UNSPSC 21.0	31261500
-------------	----------

Module carrier frame - HC-M-B10-MFH-H



1182089

<https://www.phoenixcontact.com/pc/products/1182089>

Environmental Product Compliance

REACH SVHC	Lead 7439-92-1
China RoHS	Environmentally Friendly Use Period = 50 years
	For information on hazardous substances, refer to the manufacturer's declaration available under "Downloads"

Module carrier frame - HC-M-B10-MFH-H

1182089

<https://www.phoenixcontact.com/pc/products/1182089>

Accessories

Module carrier frame

Module carrier frame - HC-M-B10-MFH-B - 1182088

<https://www.phoenixcontact.com/pc/products/1182088>



Module carrier frame, size: B10, type : for the panel mounting side (a, b, c, ...), 4 mm² ... 6 mm², application: Module carrier frame

Cable lug

Cable lug - HC-M-MHR-PE16 - 1636981

<https://www.phoenixcontact.com/pc/products/1636981>



Cable lug for HEAVYCON-MODULAR; PE connection extension to 16 mm², for crimping with crimp pliers

Module carrier frame - HC-M-B10-MFH-H

1182089

<https://www.phoenixcontact.com/pc/products/1182089>

Coding element

Coding element - HC-CST-MOD - 1636127

<https://www.phoenixcontact.com/pc/products/1636127>



Coding peg for coding up to 16 connectors, for HC Modular

Coding element

Coding element - HC-CBU-MOD - 1636130

<https://www.phoenixcontact.com/pc/products/1636130>



Coding socket for coding up to 16 connectors, for HC Modular

Phoenix Contact 2022 © - all rights reserved
<https://www.phoenixcontact.com>

PHOENIX CONTACT GmbH & Co. KG
Flachsmarktstraße 8
D-32825 Blomberg
+49 (0) 5235-3 00
info@phoenixcontact.com