

# I/O extension module - RAD-DI4-IFS



2901535

<https://www.phoenixcontact.com/pc/products/2901535>

Please be informed that the data shown in this PDF document is generated from our Online Catalog. Please find the complete data in the user documentation. Our General Terms of Use for Downloads are valid.



Radioline - I/O extension module, 4 digital inputs (0 ... 250 V AC/DC)

## Your advantages

- Easy startup via thumbwheel
- Channel-to-channel electrical isolation
- Extended temperature range of -40 °C ... +70 °C
- Easy module replacement even during operation (hot swap)
- Digital wide-range inputs (0 ... 250 V AC/DC)
- Approved for use in zone 2

## Commercial Data

Item number	2901535
Packing unit	1 pc
Minimum order quantity	1 pc
Product Key	DNC61D
Catalog Page	Page 380 (C-6-2019)
GTIN	4046356610490
Weight per Piece (including packing)	194.4 g
Weight per Piece (excluding packing)	163.2 g
Customs tariff number	85177900
Country of origin	DE

# I/O extension module - RAD-DI4-IFS

2901535

<https://www.phoenixcontact.com/pc/products/2901535>



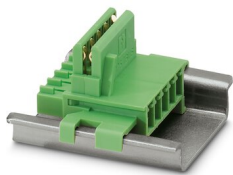
## Set consists of

### DIN rail bus connectors

DIN rail bus connectors - ME 17,5 TBUS 1,5/ 5-ST-3,81 GN - 2709561

<https://www.phoenixcontact.com/pc/products/2709561>

DIN rail connector for DIN rail mounting. Universal for TBUS housing. Gold-plated contacts, 5-pos.



## Technical Data

### Notes

#### Utilization restriction

CCCex note	Use in potentially explosive areas is not permitted in China.
------------	---

### Product properties

Product type	Extension module
MTTF	1766 Years (SN 29500 standard, temperature 25°C, operating cycle 21%)
	653 Years (SN 29500 standard, temperature 40°C, operating cycle 34.25%)
	250 Years (SN 29500 standard, temperature 40°C, operating cycle 100%)

#### Insulation characteristics

Overvoltage category	II
Degree of pollution	2

### Electrical properties

Electrical isolation	300 V (Rated insulation voltage (in each case between the digital inputs // TBUS supply, reinforced insulation in accordance with EN/IEC 61010))
	300 V (Rated insulation voltage (to adjacent devices, basic insulation in accordance with EN/IEC 61010))
Test voltage for digital I/Os	2.5 kV AC (50 Hz, 1 min.)
Maximum power dissipation for nominal condition	0.264 W
Transient surge protection	Yes

#### Supply

Supply voltage range	19.2 V DC ... 30.5 V DC (DIN rail connector)
Max. current consumption	≤ 11 mA (At 24 V DC, at 25°C)

### Input data

#### Digital

Max. current consumption	< 1 mA
--------------------------	--------

#### Digital

Description of the input	Digital input
Number of inputs	4
Voltage input signal	0 V AC/DC ... 250 V AC/DC
Switching level "0" signal	0 V AC/DC ... 4 V AC/DC (Low-voltage input)
	0 V AC/DC ... 20 V AC/DC (High-voltage input)
Switching level "1" signal	10 V AC/DC ... 50 V AC/DC (Low-voltage input)
	50 V AC/DC ... 250 V AC/DC (High-voltage input)
Input frequency	≤ 2 Hz

# I/O extension module - RAD-DI4-IFS

2901535

<https://www.phoenixcontact.com/pc/products/2901535>

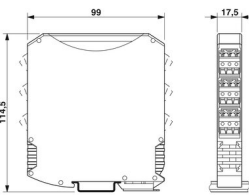
## Connection data

Connection method	Screw connection
Stripping length	7 mm
Conductor cross section solid min.	0.2 mm <sup>2</sup>
Conductor cross section solid max.	2.5 mm <sup>2</sup>
Conductor cross section flexible min.	0.2 mm <sup>2</sup>
Conductor cross section flexible max.	2.5 mm <sup>2</sup>
Conductor cross section AWG min.	24
Conductor cross section AWG max.	14

## LED signaling

Status display	Green LED (supply voltage, PWR)
	Green LED (bus communication, DAT)
	Red LED (periphery error, ERR)
	Yellow LED (digital input, DI1)
	Yellow LED (digital input, DI2)
	Yellow LED (digital input, DI3)
	Yellow LED (digital input, DI4)

## Dimensions

Dimensional drawing	
Width	17.5 mm
Height	113 mm
Depth	114.5 mm

## Material specifications

Material	PA 6.6-FR (Housing)
Flammability rating according to UL 94	V0

## Environmental and real-life conditions

### Ambient conditions

Degree of protection	IP20
Ambient temperature (operation)	-40 °C ... 70 °C
	-40 °F ... 158 °F
Ambient temperature (storage/transport)	-40 °C ... 85 °C
	-40 °F ... 185 °F

# I/O extension module - RAD-DI4-IFS



2901535

<https://www.phoenixcontact.com/pc/products/2901535>

Altitude	2000 m
Permissible humidity (operation)	20 % ... 85 %
Permissible humidity (storage/transport)	20 % ... 85 %
Shock	16g, 11 ms
Vibration (operation)	in accordance with IEC 60068-2-6: 5g, 10 Hz ... 150 Hz

## Approval data

### CE

Certificate	CE-compliant
-------------	--------------

### EAC

Identification	EAC
----------------	-----

### ATEX

Identification	<input type="checkbox"/> II 3 G Ex nA IIC T4 Gc
Certificate	IBExU 15 ATEX B008 X
Note	Please follow the special installation instructions in the documentation!

### IECEX

Identification	Ex nA IIC T4 Gc
Certificate	IECEX IBE 13.0019X

### EAC Ex

Identification	2Ex nA nC IIC T4 Gc X
Certificate	RU C-DE.HB49.B.00033/20

### UL, USA / Canada

Identification	508 Listed
	Class I, Div. 2, Groups A, B, C, D T4A
	Class I, Zone 2, IIC T4

### KC approval for South Korea

Certificate	R-R-PCK-2901535
-------------	-----------------

### Corrosive gas test

Identification	ISA-S71.04-1985 G3 Harsh Group A
----------------	----------------------------------

## EMC data

Electromagnetic compatibility	Conformance with EMC Directive 2014/30/EU
Noise emission	EN 61000-6-4
Noise immunity	EN 61000-6-2

## Standards and regulations

Standards/specifications	EN 61000-6-2
Standards/specifications	EN 61000-6-4
Standards/specifications	EN 60079-0

# I/O extension module - RAD-DI4-IFS



2901535

<https://www.phoenixcontact.com/pc/products/2901535>

Standards/specifications	EN-60079-15
--------------------------	-------------

## Mounting

Mounting type	DIN rail mounting
Assembly instructions	on standard DIN rail NS 35 in accordance with EN 60715
Mounting position	any

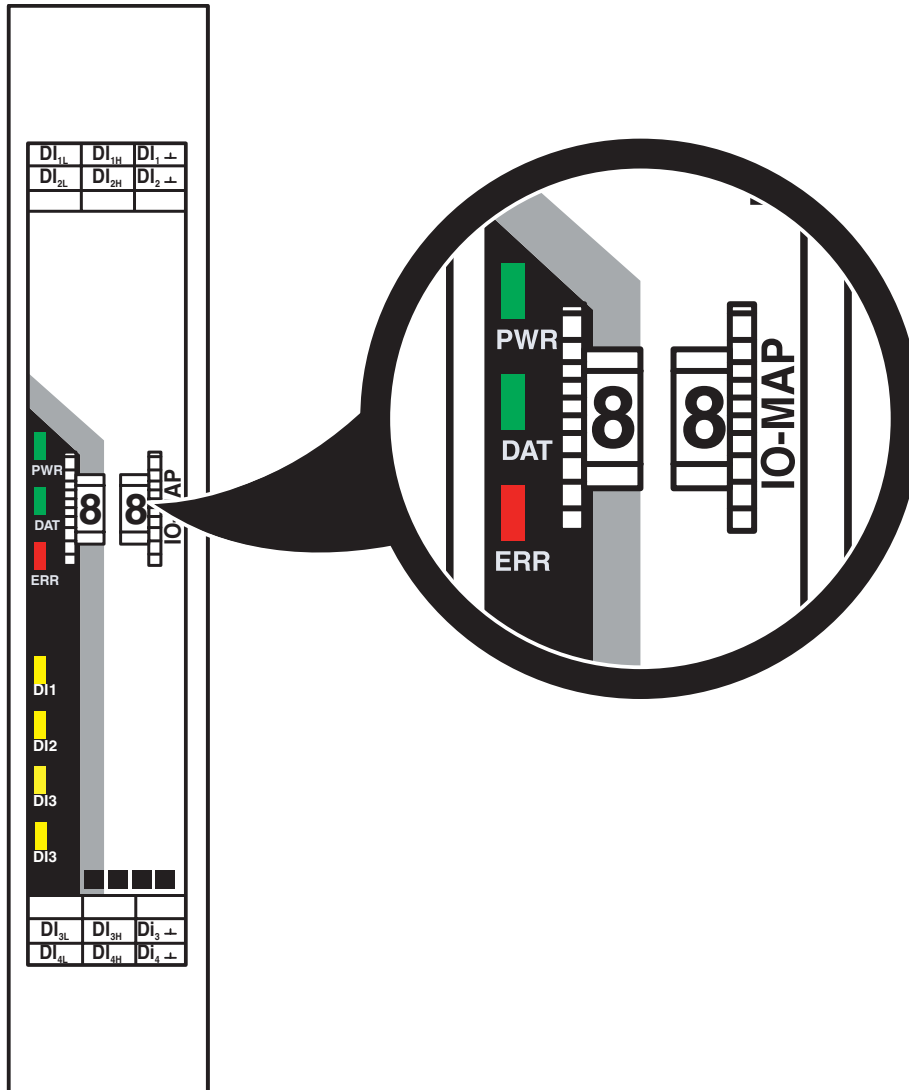
# I/O extension module - RAD-DI4-IFS

2901535

<https://www.phoenixcontact.com/pc/products/2901535>

## Drawings

### Schematic diagram



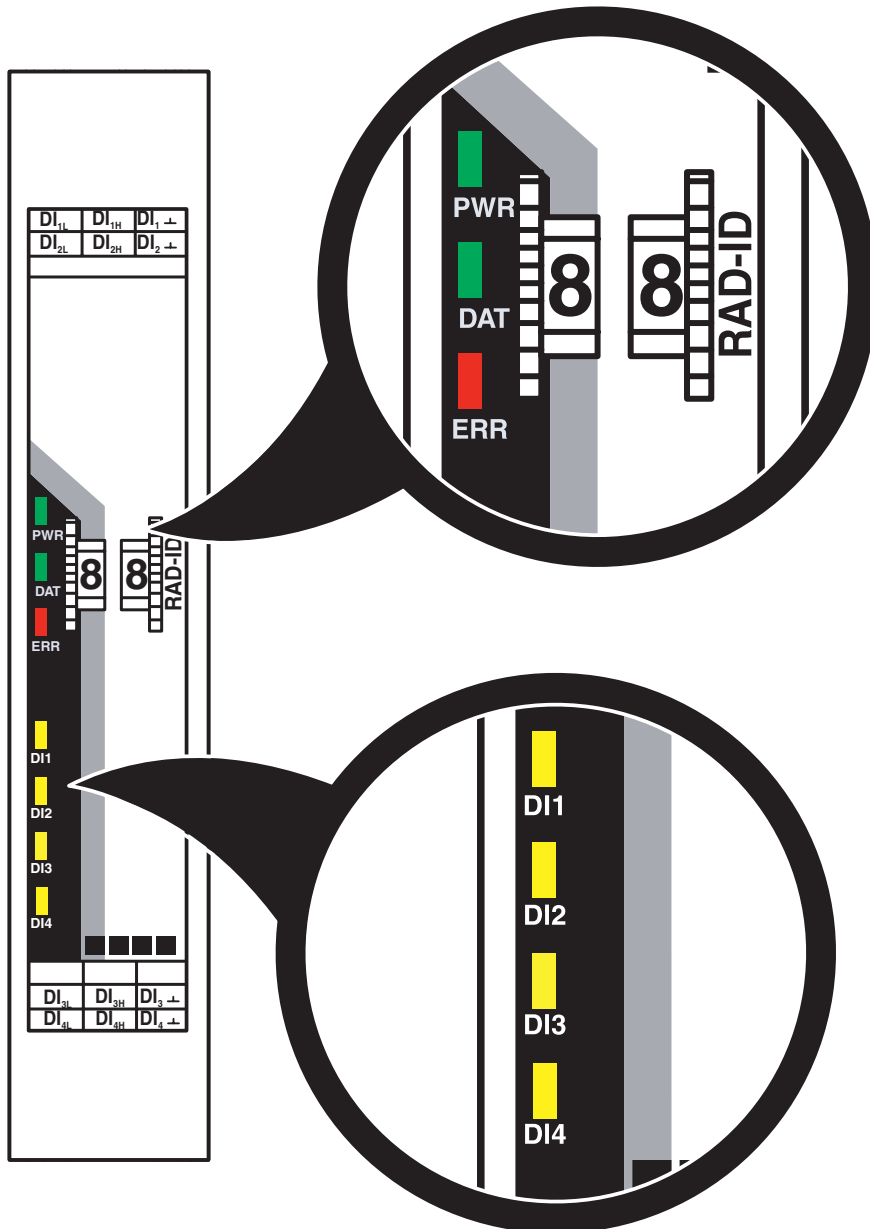
Thumbwheel

# I/O extension module - RAD-DI4-IFS

2901535

<https://www.phoenixcontact.com/pc/products/2901535>

Schematic diagram



LED indicators



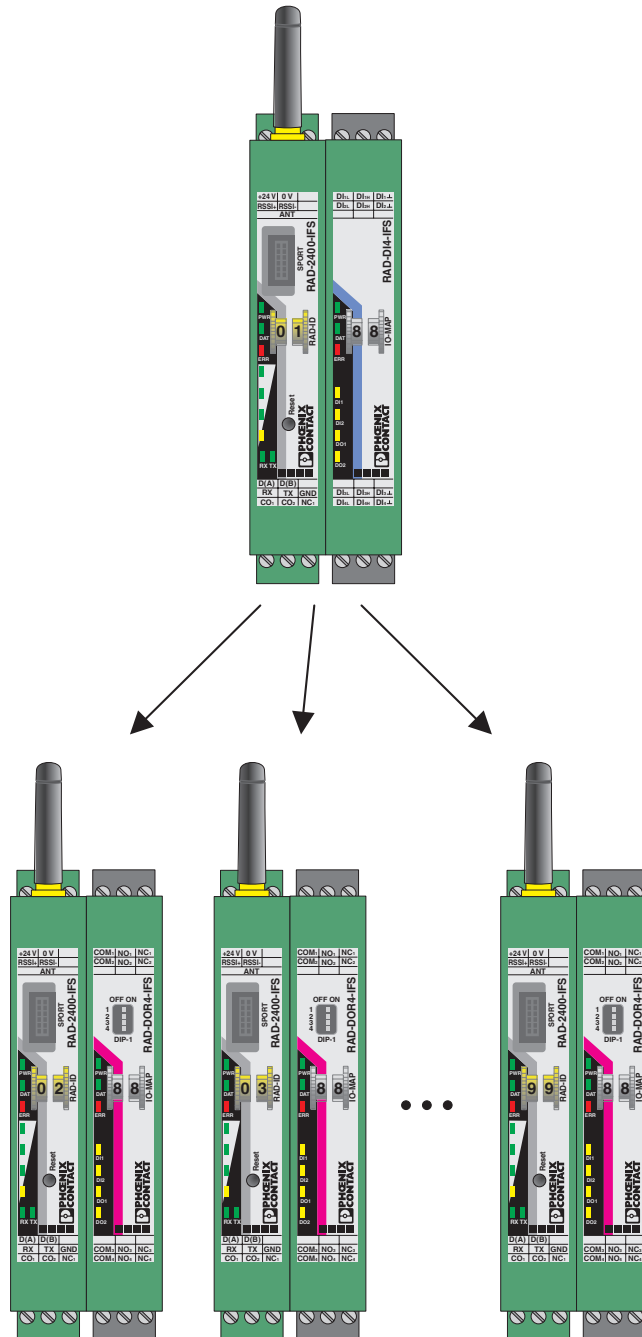
# I/O extension module - RAD-DI4-IFS

2901535

<https://www.phoenixcontact.com/pc/products/2901535>



Functional drawing



Assignment of digital inputs and digital outputs

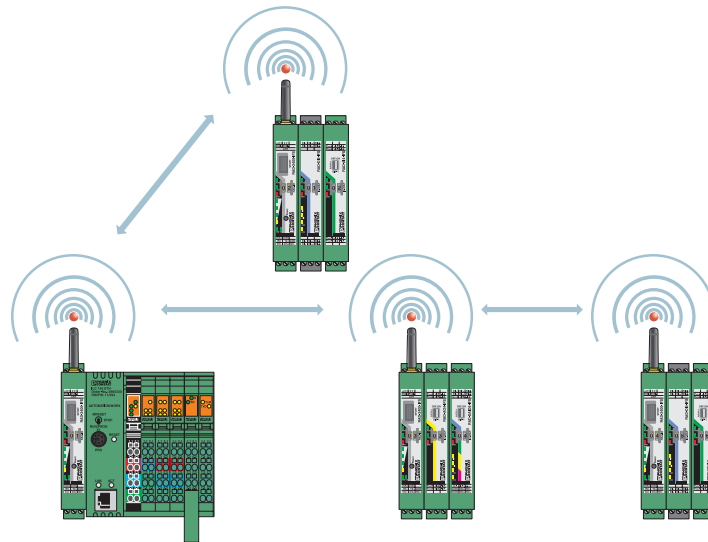
# I/O extension module - RAD-DI4-IFS

2901535

<https://www.phoenixcontact.com/pc/products/2901535>

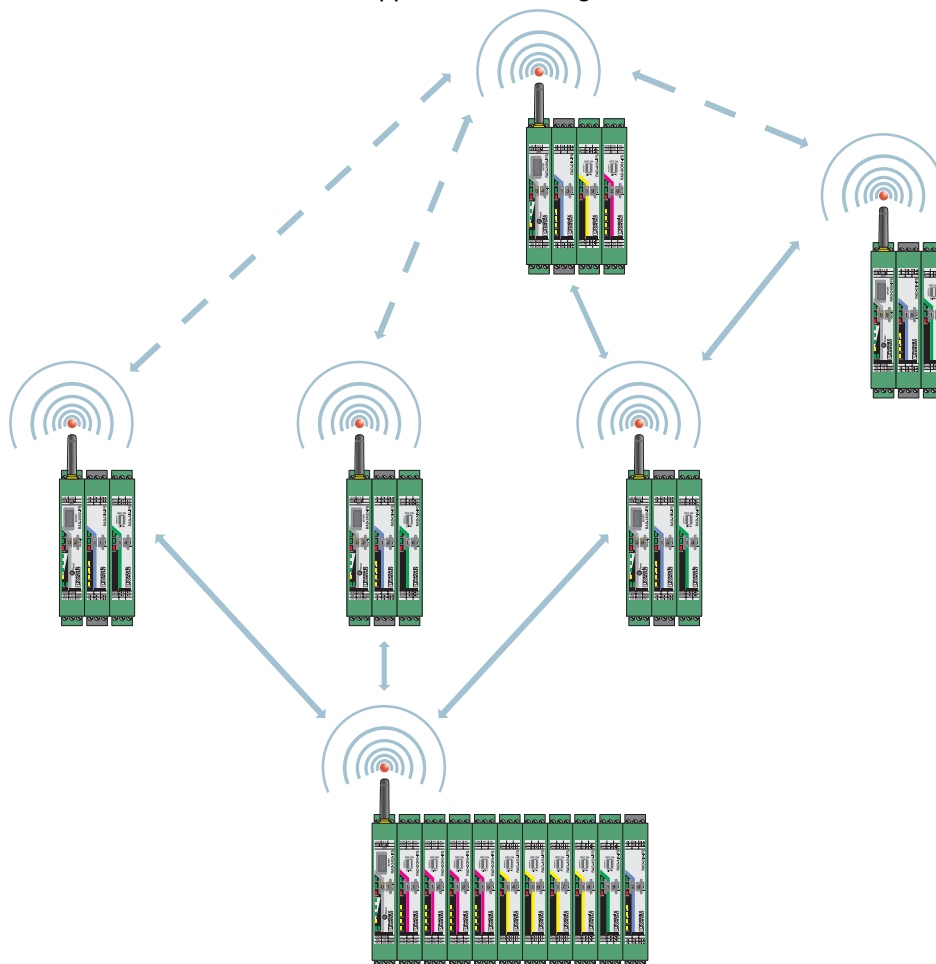


Application drawing



Wireless module in PLC/Modbus RTU mode

Application drawing



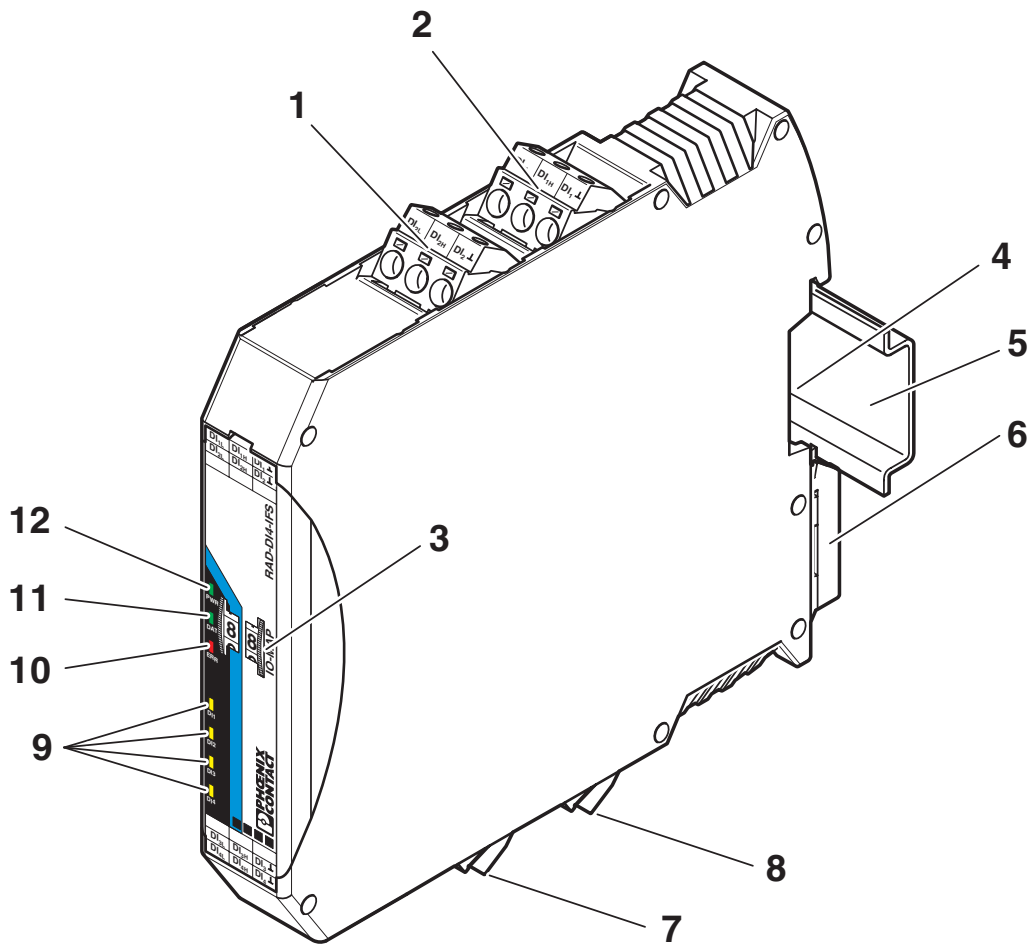
Wireless module in I/O data mode

# I/O extension module - RAD-DI4-IFS

2901535

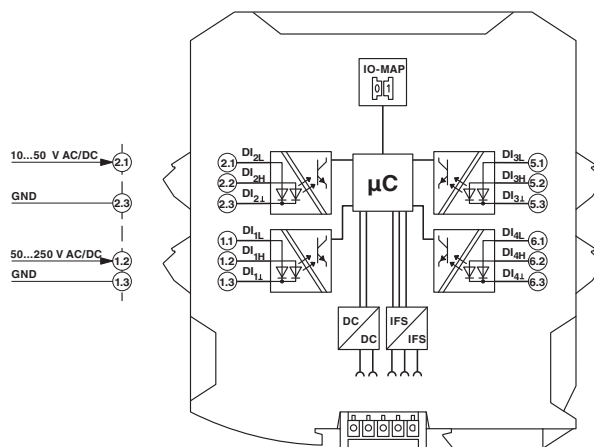
<https://www.phoenixcontact.com/pc/products/2901535>

Schematic diagram



Function elements

Circuit diagram



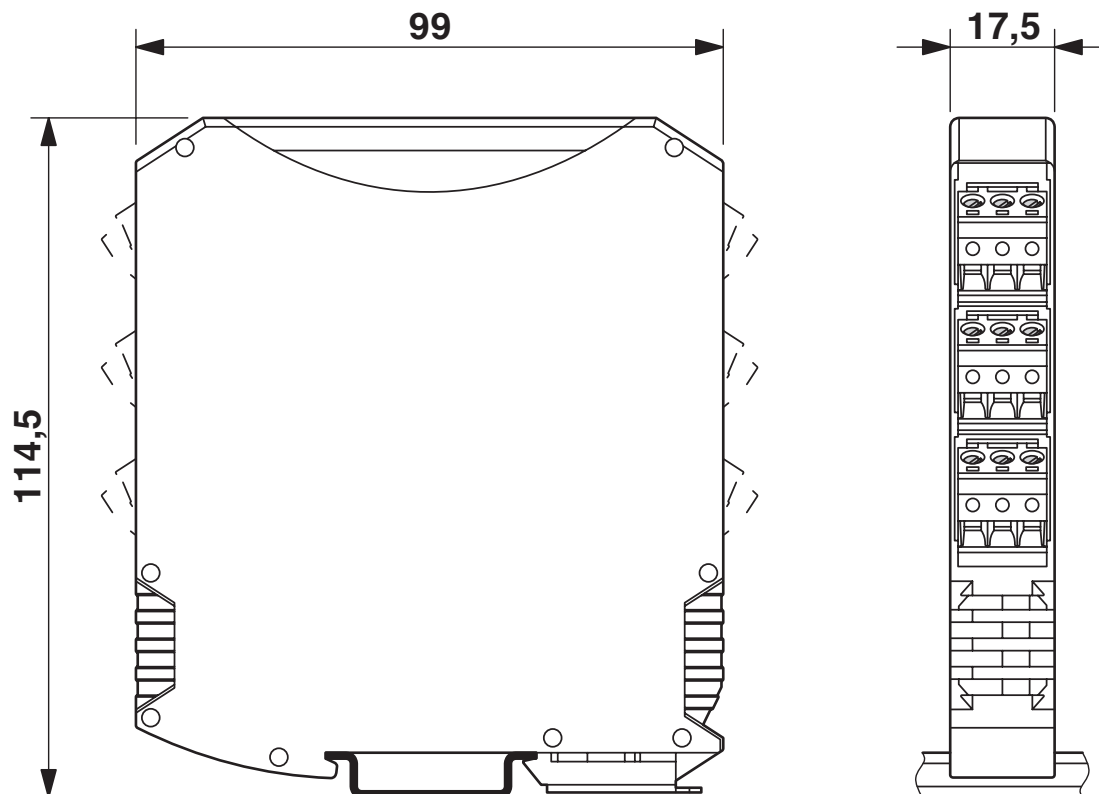
# I/O extension module - RAD-DI4-IFS

2901535

<https://www.phoenixcontact.com/pc/products/2901535>



Dimensional drawing



Slim design

# I/O extension module - RAD-DI4-IFS



2901535

<https://www.phoenixcontact.com/pc/products/2901535>

## Approvals



**UL Listed**

Approval ID: FILE E 238705



**cUL Listed**

Approval ID: FILE E 238705



**KC**

Approval ID: R-R-PCK-2901535



**EAC Ex**

Approval ID: RU\*HB49.B00033/20



**IECEx**

Approval ID: IECEx IBE 13.0019X



**cUL Listed**

Approval ID: FILE E 196811



**UL Listed**

Approval ID: FILE E 196811



**ATEX**

Approval ID: IBExU 15 ATEX B008 X

**cULus Listed**

**cULus Listed**

# I/O extension module - RAD-DI4-IFS



2901535

<https://www.phoenixcontact.com/pc/products/2901535>

## Classifications

### ECLASS

ECLASS-9.0	27242604
ECLASS-10.0.1	27242604
ECLASS-11.0	27242604

### ETIM

ETIM 8.0	EC001599
----------	----------

### UNSPSC

UNSPSC 21.0	32151600
-------------	----------

# I/O extension module - RAD-DI4-IFS



2901535

<https://www.phoenixcontact.com/pc/products/2901535>

## Environmental Product Compliance

REACH SVHC	Lead 7439-92-1
China RoHS	Environmentally Friendly Use Period = 50 years
	For information on hazardous substances, refer to the manufacturer's declaration available under "Downloads"

# I/O extension module - RAD-DI4-IFS

2901535

<https://www.phoenixcontact.com/pc/products/2901535>

## Mandatory Accessories

### Wireless module

Wireless module - RAD-2400-IFS - 2901541

<https://www.phoenixcontact.com/pc/products/2901541>



Radioline - 2.4 GHz wireless transceiver with RS-232/RS-485 interface, can be extended with I/O modules, RSMA (female) antenna connection, point-to-point, star, and mesh networks up to 250 stations, range of up to 5 km (with a clear line of sight), for worldwide use

---

### Wireless module

Wireless module - RAD-900-IFS - 2901540

<https://www.phoenixcontact.com/pc/products/2901540>



Radioline - 900 MHz wireless transceiver with RS-232/485 interface, can be extended with I/O modules, RSMA (female) antenna connection, point-to-point, star, and mesh networks up to 250 stations, range of up to 32 km (line of sight), use in North America



# I/O extension module - RAD-DI4-IFS

2901535

<https://www.phoenixcontact.com/pc/products/2901535>

## Wireless module

Wireless module - RAD-868-IFS - 2904909

<https://www.phoenixcontact.com/pc/products/2904909>



Radioline - 868 MHz wireless transceiver with RS-232/RS-485 interface, can be extended with I/O modules, RSMA (female) antenna connection, point-to-point, star, and mesh networks up to 99 stations, range of up to 20 km (with a clear line of sight), for use in Europe

---

## Communication module

Communication module - RAD-RS485-IFS - 2702184

<https://www.phoenixcontact.com/pc/products/2702184>



Radioline - RS-485 multipoint multiplexer, can be extended with I/O modules, can be used as Modbus/RTU bus coupler or can be combined with Radioline wireless system, up to 99 stations, range of up to 1.2 km on in-house copper cables

# I/O extension module - RAD-DI4-IFS

2901535

<https://www.phoenixcontact.com/pc/products/2901535>

## Wireless module

Wireless module - RAD-2400-IFS-JP - 2702863

<https://www.phoenixcontact.com/pc/products/2702863>



Radioline - 2.4 GHz wireless transceiver with RS-232/RS-485 interface, can be extended with I/O modules, RSMA (female) antenna connection, point-to-point, star, and mesh networks up to 250 stations, range of up to 5 km (with a clear line of sight), for use in Japan

---

## Wireless module

Wireless module - RAD-900-IFS-AU - 2702878

<https://www.phoenixcontact.com/pc/products/2702878>



Radioline - 900 MHz wireless transceiver with RS-232/485 interface, can be extended with I/O modules, RSMA (female) antenna connection, point-to-point, star, and mesh networks up to 250 stations, range of up to 32 km (line of sight), for use in Australia.

---

## Accessories

# I/O extension module - RAD-DI4-IFS

2901535

<https://www.phoenixcontact.com/pc/products/2901535>



## I/O extension module

I/O extension module - RAD-DOR4-IFS - 2901536

<https://www.phoenixcontact.com/pc/products/2901536>



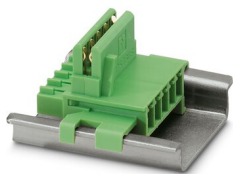
Radioline - I/O extension module, 4 digital relay outputs (5 A, 250 V AC/DC)

---

## DIN rail bus connectors

DIN rail bus connectors - ME 17,5 TBUS 1,5/ 5-ST-3,81 GN - 2709561

<https://www.phoenixcontact.com/pc/products/2709561>



DIN rail connector for DIN rail mounting. Universal for TBUS housing. Gold-plated contacts, 5-pos.

# I/O extension module - RAD-DI4-IFS



2901535

<https://www.phoenixcontact.com/pc/products/2901535>

## Multiplexer

Multiplexer - FB-MUX/HS/DI24/PA - 1005332

<https://www.phoenixcontact.com/pc/products/1005332>



The FB-MUX/HS/DI24/PA head station can be used with up to six 4-channel digital input modules (RAD-DI4-IFS), six 4-channel NAMUR digital input modules (RAD-NAM4-IFS), three 8-channel digital input modules (RAD-DI8-IFS), or any combination of modules for maximum of 24 total channels. This configuration can be used as a high-density digital input solution.

---

## I/O extension module

I/O extension module - RAD-DOR4-IFS - 2901536

<https://www.phoenixcontact.com/pc/products/2901536>



Radioline - I/O extension module, 4 digital relay outputs (5 A, 250 V AC/DC)

---

Phoenix Contact 2022 © - all rights reserved  
<https://www.phoenixcontact.com>

PHOENIX CONTACT GmbH & Co. KG  
Flachsmarktstraße 8  
D-32825 Blomberg  
+49 (0) 5235-3 00  
[info@phoenixcontact.com](mailto:info@phoenixcontact.com)