

# Wireless set - ILB BT ADIO MUX-OMNI

2884208

<https://www.phoenixcontact.com/pc/products/2884208>

Please be informed that the data shown in this PDF document is generated from our Online Catalog. Please find the complete data in the user documentation. Our General Terms of Use for Downloads are valid.



Wireless MUX set, two modules with 16 digital inputs and outputs and 2 analog inputs and outputs (0 ... 20 mA, 0 ... 10 V) each, RSMA (female) antenna connection, incl. omnidirectional antennas with 1.5 m cable

## Product Description

The Wireless MUX transmits 16 digital and 2 analog signals bidirectionally. The Wireless MUX is supplied ready to use: Unpack – connect – switch on – and you have a working wireless path.

## Your advantages

- Wireless diagnostics by means of bar graph
- Range of 50 m ... 100 m in industrial halls with omnidirectional antennas and up to 400 m outdoors with directional antennas
- Quick connection establishment and signal transmission
- Current Bluetooth 4.0 technology
- Plug and play - startup without configuration
- It couldn't be simpler: unpack – connect – switch on

## Commercial Data

Item number	2884208
Packing unit	1 pc
Minimum order quantity	1 pc
Product Key	DNC662
Catalog Page	Page 386 (C-6-2019)
GTIN	4046356049597
Weight per Piece (including packing)	914 g
Weight per Piece (excluding packing)	885 g
Customs tariff number	85176200
Country of origin	DE

# Wireless set - ILB BT ADIO MUX-OMNI

2884208

<https://www.phoenixcontact.com/pc/products/2884208>

## Set consists of

### Wireless set

Wireless set - ILB BT ADIO MUX - 2702875

<https://www.phoenixcontact.com/pc/products/2702875>



Wireless MUX set, two modules with 16 digital inputs and outputs and 2 analog inputs and outputs (0 ... 20 mA, 0 ... 10 V) each, RSMA (female) antenna connection, without antennas

---

## Antenna

Antenna - RAD-ISM-2400-ANT-OMNI-2-1-RSMA - 2701362

<https://www.phoenixcontact.com/pc/products/2701362>



Omnidirectional antenna for wall mounting, frequency band: 2.4 GHz, gain: 2 dBi, degree of protection: IP65, connection: RSMA (male), incl. 1.5 m connecting cable, mounting bracket, and mounting material

## Technical Data

### Notes

#### Utilization restriction

EMC note	EMC: class A product, see manufacturer's declaration in the download area
----------	---

### Product properties

Type	Block design
Product type	Multiplexer
Application	I/O
MTTF	1458 Years (SN 29500 standard, temperature 25°C, operating cycle 21%)
	557 Years (SN 29500 standard, temperature 40°C, operating cycle 34.25%)
	219 Years (SN 29500 standard, temperature 40°C, operating cycle 100%)
MTBF	465 Years (Telcordia standard, 25°C temperature, 21% operating cycle (5 days a week, 8 hours a day))
	140 Years (Telcordia standard, 40°C temperature, 34.25% operating cycle (5 days a week, 12 hours a day))
Diagnostics messages	Short-circuit or overload of the digital outputs LED
	Wireless connection FS LED
	Logic and actuator voltage LED
	Link quality of the wireless connection 4 LEDs

#### Insulation characteristics

Overvoltage category	II
Pollution degree	2

#### Times

Switch-on time	≤ 3 s (Until the wireless connection is established)
Delay time	≤ 10 ms (Latency, typical)
	≤ 800 ms (Failsafe function for wireless interruption)

### Electrical properties

Maximum power dissipation for nominal condition	2.4 W
---	-------

#### Supply: Module electronics

Connection method	Inline connector
Supply voltage	24 V DC
Supply voltage range	19.2 V DC ... 30.5 V DC (via power connector)
Current consumption	60 mA (Communications power at 24 V DC, 25 °C)
	25 mA (Actuator supply, +load current Digital OUT (8 A))
Protective circuit	Polarity protection, surge protection

## Input data

### Analog

Input name	Analog inputs
Description of the input	Single ended
Number of inputs	2
Current input signal	0 mA ... 20 mA
Input resistance current input	50 $\Omega$
Voltage input signal	0 V ... 10 V
Input resistance of voltage input	130 k $\Omega$
Measured value resolution	12 bits
Protective circuit	Surge voltage; Suppressor diodes in the analog inputs, current limitation via internal protective circuit

### Digital

Input name	Digital inputs
Number of inputs	16
Connection method	Spring-cage connection
Connection technology	1-conductor
Input voltage range "0" signal	< 5 V
Input voltage range "1" signal	> 15 V
Nominal input voltage $U_{IN}$	24 V DC
Typical input current per channel	2.3 mA
Input frequency	$\leq 10$ Hz

## Output data

### Analog

Output name	Analog outputs
Number of outputs	2
Protective circuit	Transient protection
DAC resolution	12 Bit
Current output signal	0 mA ... 20 mA
Load/output load current output	$\leq 500$ $\Omega$
Voltage output signal	0 V ... 10 V
Load/output load voltage output	$\geq 2$ k $\Omega$

### Digital

Output name	Digital outputs
Connection method	Spring-cage connection
Connection technology	1-conductor
Number of outputs	16
Protective circuit	Short-circuit protection, overload protection, protected against reverse voltages
Output current	8 A (Total)
Maximum output current per channel	500 mA

2884208

<https://www.phoenixcontact.com/pc/products/2884208>

Nominal output voltage	24 V DC
Output current when switched off	≤ 10 µA (When not loaded, a voltage can be measured even at an output that is not set.)
Nominal load, inductive	12 VA (1.2 H, 50 Ω)
Nominal load, lamp	12 W
Nominal load, ohmic	12 W (48 Ω)
Reverse voltage resistance to short pulses	Reverse voltage proof
Behavior with overload	Auto restart
Behavior with inductive overload	Output can be destroyed
Behavior at voltage switch-off	The output follows the power supply without delay

## Connection data

Conductor cross section, rigid	0.2 mm <sup>2</sup> ... 1.5 mm <sup>2</sup>
Conductor cross section, flexible	0.2 mm <sup>2</sup> ... 1.5 mm <sup>2</sup>
Conductor cross section, flexible [AWG]	... 16
Stripping length	8 mm

## Interfaces

### Functions

Wireless licenses	Europe, additional countries in the e-shop
-------------------	--

### Wireless

Modulation type	GFSK (Gaussian Frequency Shift Keying)
Antenna connection method	RSMA (female)
No. of channels	40
Frequency range	2.402 GHz ... 2.48 GHz (ISM bandwidth)
Frequency band	2.4 GHz
Wireless standard	Bluetooth
Transmission power	5 dBm
Receiver sensitivity	-95 dBm

## LED signaling

### Diagnostic messages

Diagnostics	Short-circuit or overload of the digital outputs
Message	LED

### Diagnostic messages

Diagnostics	Wireless connection
Message	FS LED

### Diagnostic messages

Diagnostics	Logic and actuator voltage
Message	LED

### Diagnostic messages

# Wireless set - ILB BT ADIO MUX-OMNI

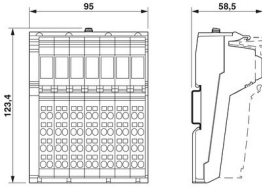


2884208

<https://www.phoenixcontact.com/pc/products/2884208>

Diagnostics	Link quality of the wireless connection
Message	4 LEDs

## Dimensions

Dimensional drawing	
Width	95 mm
Height	123.4 mm
Depth	57 mm
Note on dimensions	with connectors

## Material specifications

Housing material	PA 6.6-FR
------------------	-----------

## Environmental and real-life conditions

### Ambient conditions

Ambient temperature (operation)	-25 °C ... 60 °C
Degree of protection	IP20
Air pressure (operation)	795 hPa ... 1080 hPa (up to 2000 m above sea level)
Air pressure (storage/transport)	66 kPa ... 108 kPa (up to 3500 m above sea level)
Ambient temperature (storage/transport)	-25 °C ... 85 °C
Permissible humidity (operation)	95 % (non-condensing)
Permissible humidity (storage/transport)	95 %

## Approval data

### CE

Certificate	CE-compliant
-------------	--------------

### EAC

Identification	EAC
----------------	-----

### UL, USA / Canada

Identification	508 Listed
----------------	------------

### Wireless approval, Europe

Note	RED 2014/53/EU
------	----------------

### Wireless approval USA, FCC

Identification	YG3ADIOMUX
Note	FCC directive, part 15.247

### Wireless approval India, WPC

# Wireless set - ILB BT ADIO MUX-OMNI



2884208

<https://www.phoenixcontact.com/pc/products/2884208>

Certificate	NR-ETA/5957
Wireless approval Japan, MIC	
Identification	Japan MIC (RF) ID:202-LSF002
Wireless approval Canada, IC	
Certificate	4720B-ADIOMUX
Note	ISC directive RSS 210
Wireless approval Mexico, IFT	
Certificate	IFT RCPPHIL19-2130
Wireless approval South Africa, ICASA	
Certificate	TA-2006/032
KC approval for South Korea	
Certificate	MSIP-CRI-PCK-2884208

## EMC data

Electromagnetic compatibility	Conformance with EMC Directive 2014/30/EU
Electrostatic discharge	
Standards/regulations	EN 61000-4-2
Electrostatic discharge	
Contact discharge	± 6 kV (Test Level 3)
Discharge in air	± 8 kV (Test Level 3)
Indirect discharge	± 6 kV
Comments	Criterion B
Electromagnetic HF field	
Standards/regulations	EN 61000-4-3
Electromagnetic HF field	
Frequency range	26 MHz ... 3 GHz (Test Level 3)
Field intensity	10 V/m
Comments	Criterion A
Fast transients (burst)	
Standards/regulations	EN 61000-4-4
Fast transients (burst)	
Input	± 2 kV (Test Level 3)
Signal	± 2 kV (Signal line)
Comments	Criterion B
Surge current load (surge)	
Standards/regulations	EN 61000-4-5
Surge current load (surge)	

# Wireless set - ILB BT ADIO MUX-OMNI



2884208

<https://www.phoenixcontact.com/pc/products/2884208>

Input	± 0.5 kV (symmetrical)
	± 1 kV (asymmetrical)
Signal	± 1 kV (Signal line, asymmetrical)
Comments	Criterion B

## Conducted interference

Standards/regulations	EN 61000-4-6
-----------------------	--------------

## Conducted interference

Frequency range	0.15 MHz ... 80 MHz
Comments	Criterion A
Voltage	10 V

## Emitted interference

Emitted radio interference in acc. with EN 55011	EN 55016-2-3 Class A industrial applications
Criterion A	Normal operating behavior within the specified limits.
Criterion B	Temporary impairment to operational behavior that is corrected by the device itself.

## Standards and regulations

Protection class	III
Free from substances that could impair the application of coating	in accordance with VW-AUDI-Seat central standard P-VW 3.10.7 57 65 0
Standards/specifications	EN 300328
	EN 61000-6-4
	EN 61000-6-2
	EN 62311
	EN 60950

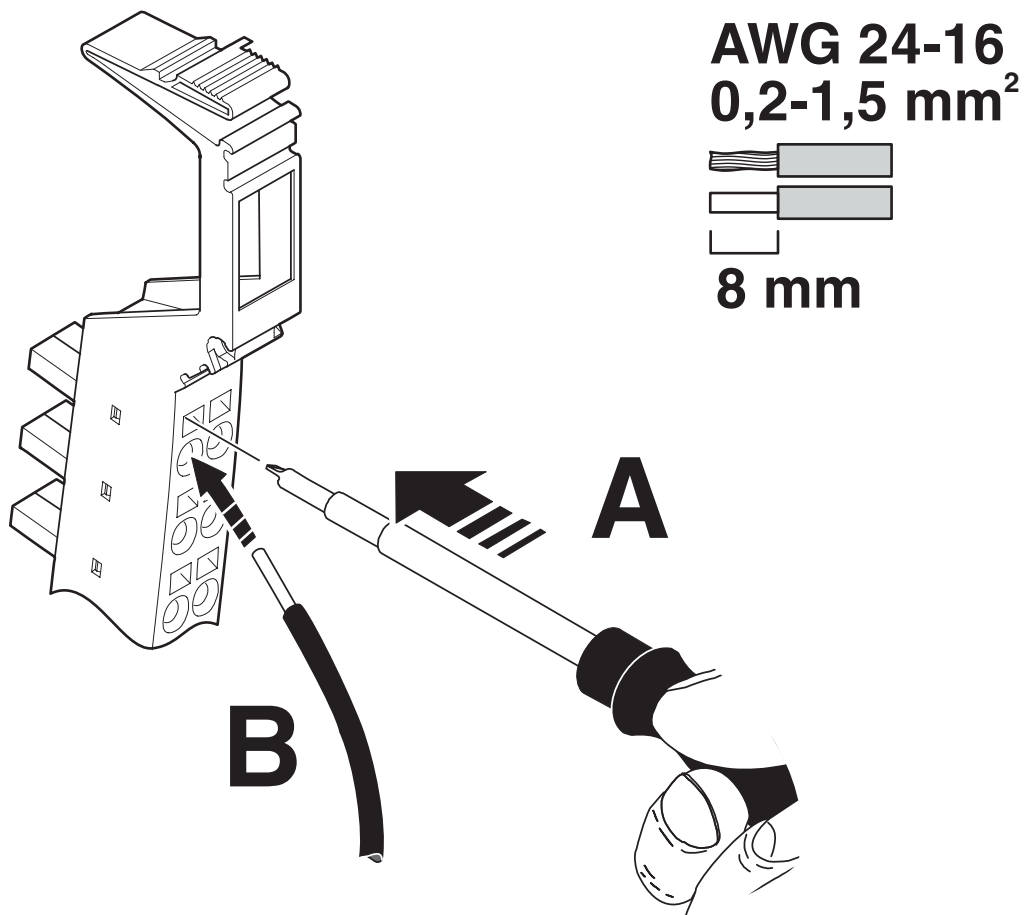
## Mounting

Mounting type	DIN rail mounting
---------------	-------------------



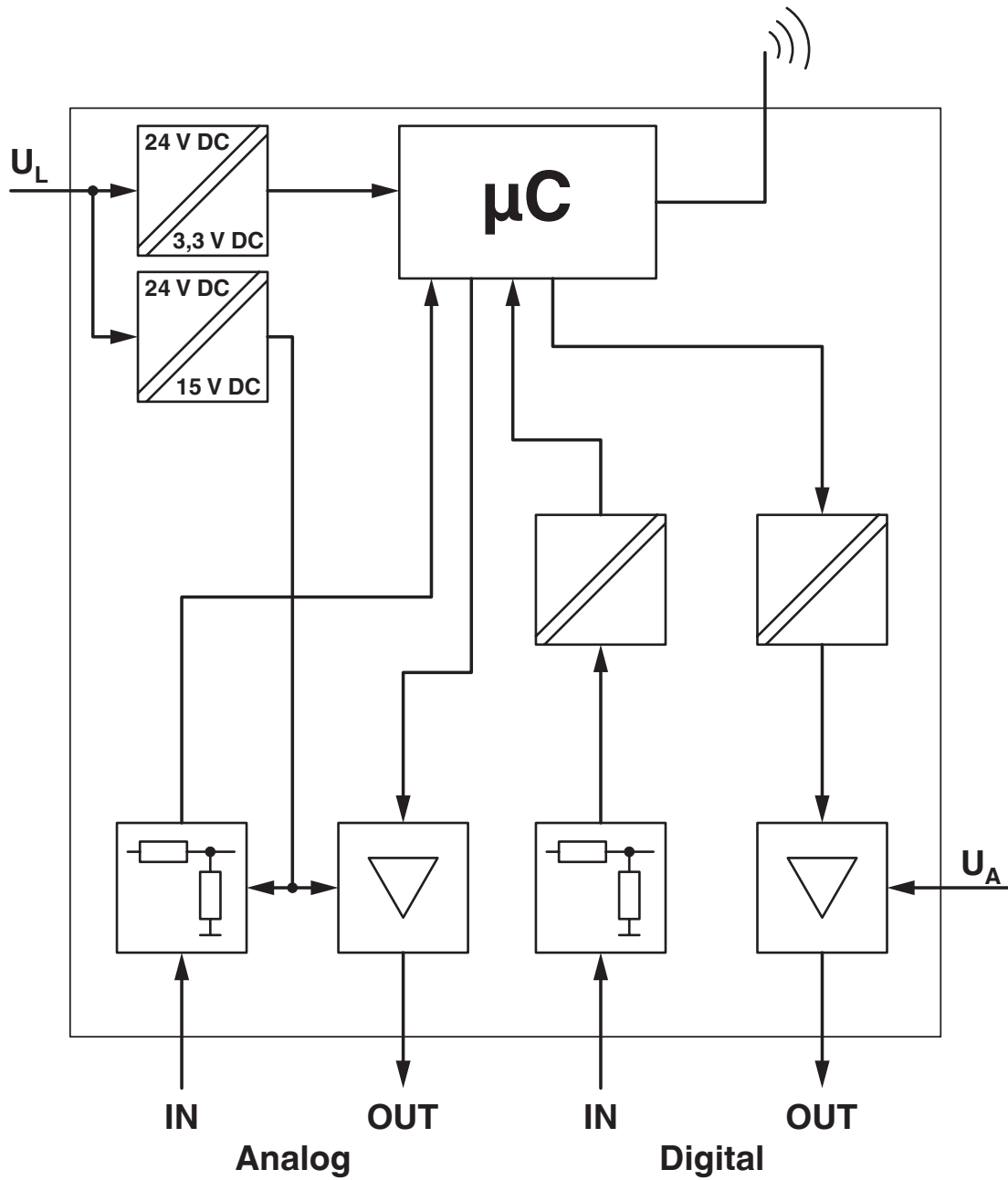
## Drawings

Schematic diagram



Connecting cables

Block diagram



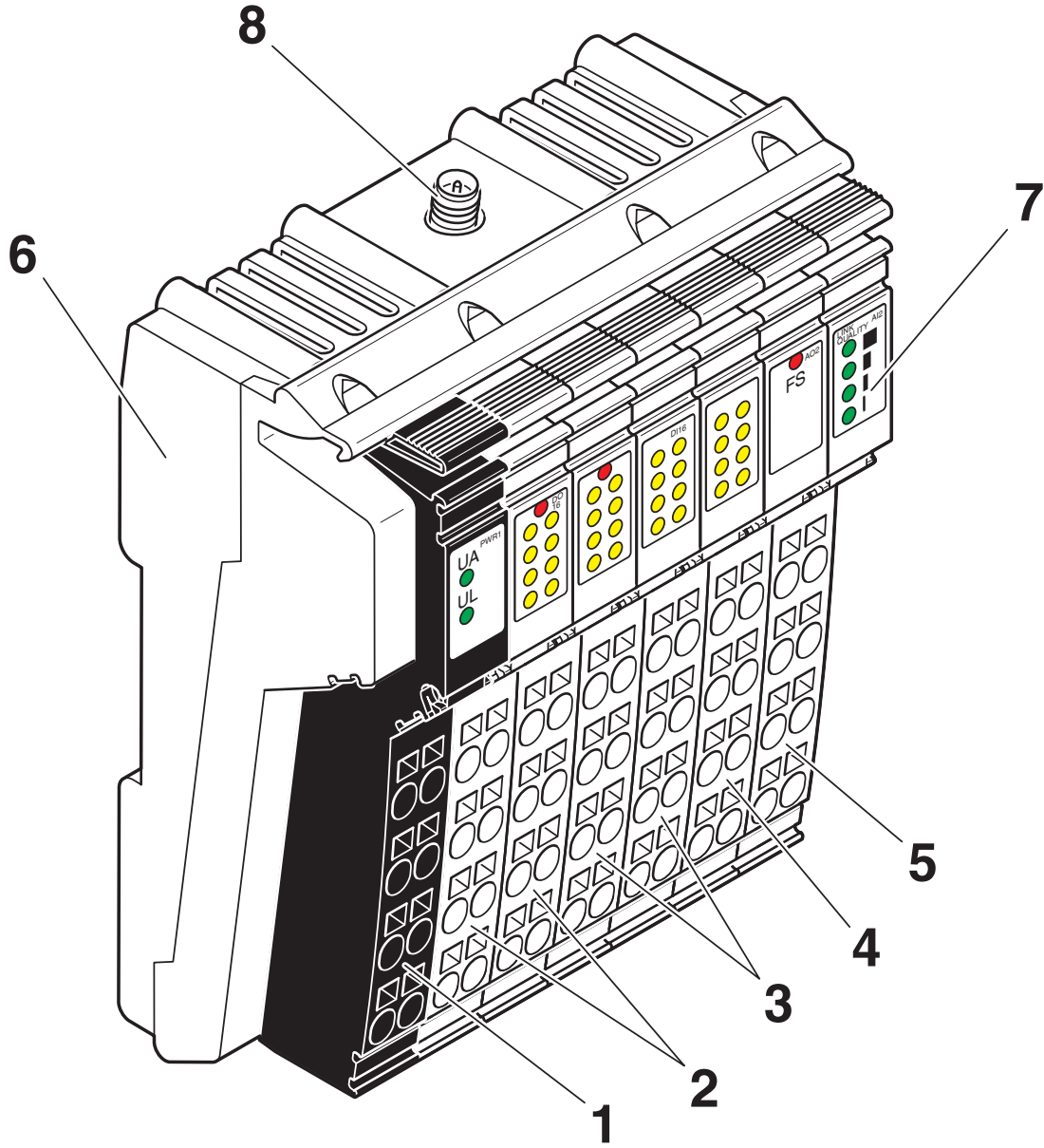
Block diagram

# Wireless set - ILB BT ADIO MUX-OMNI

2884208

<https://www.phoenixcontact.com/pc/products/2884208>

Schematic diagram



Function elements

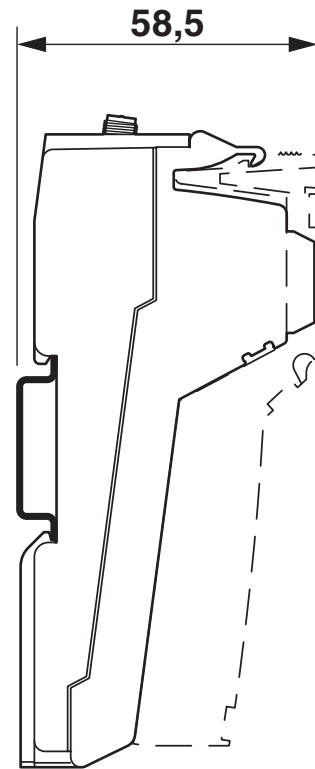
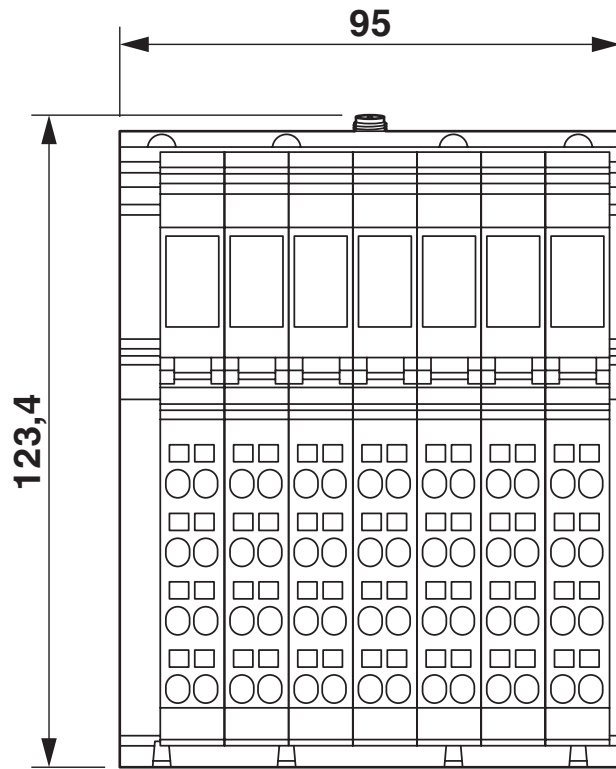
# Wireless set - ILB BT ADIO MUX-OMNI

2884208

<https://www.phoenixcontact.com/pc/products/2884208>



Dimensional drawing



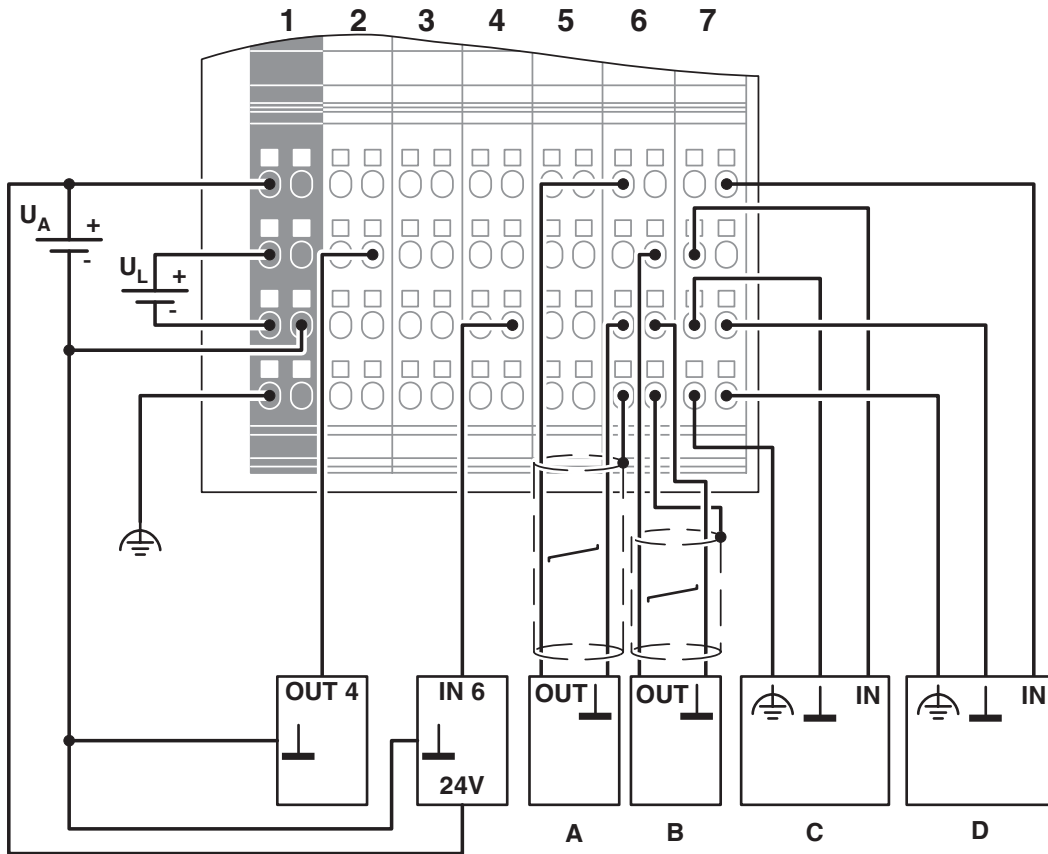
Housing dimensions

# Wireless set - ILB BT ADIO MUX-OMNI

2884208

<https://www.phoenixcontact.com/pc/products/2884208>

Connection diagram



Device connections

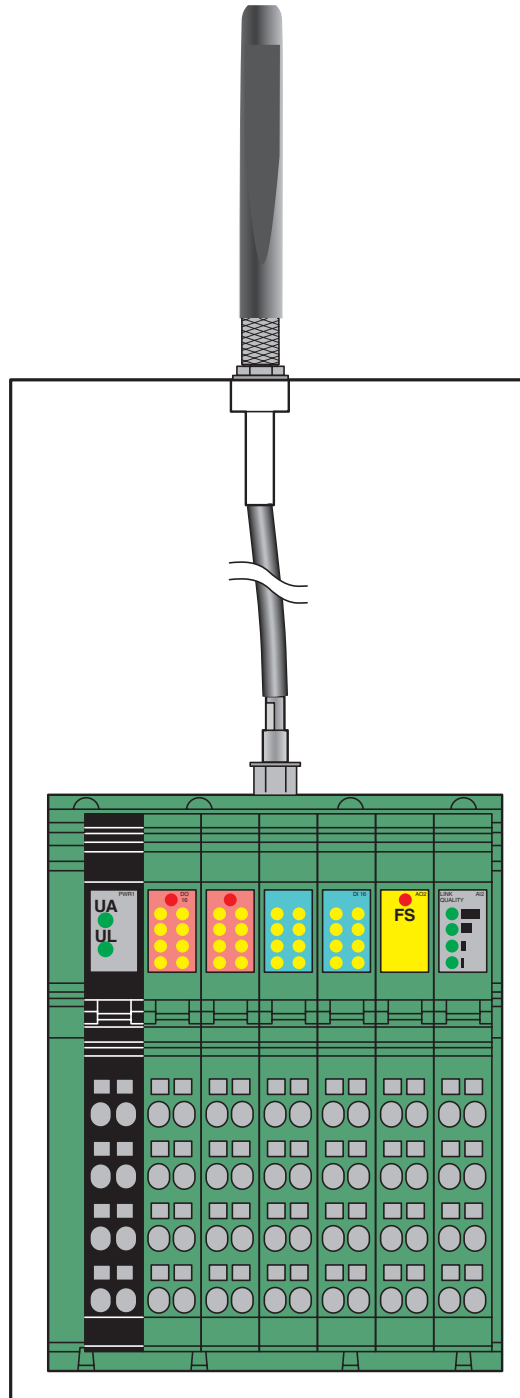
# Wireless set - ILB BT ADIO MUX-OMNI

2884208

<https://www.phoenixcontact.com/pc/products/2884208>

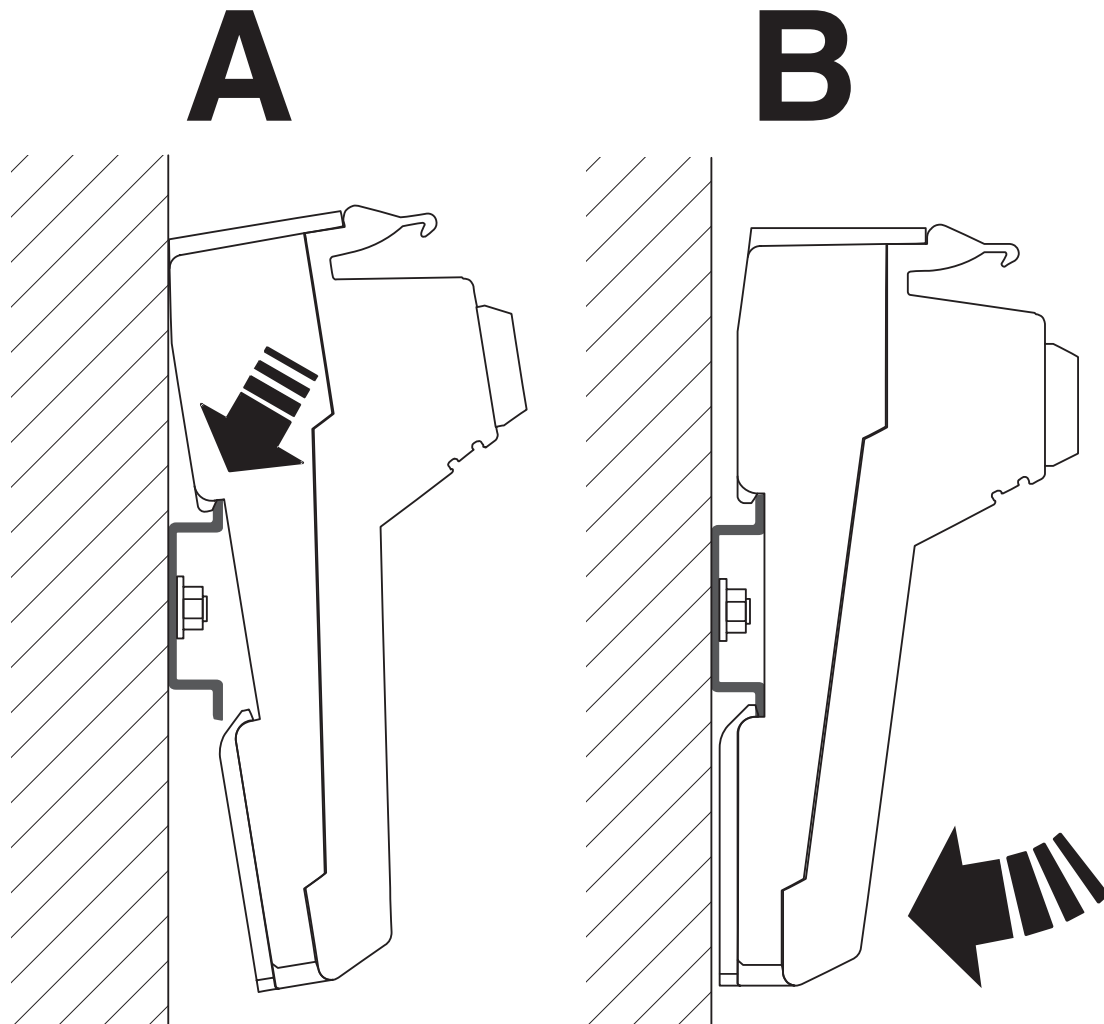


Schematic diagram



Installation example

Schematic diagram



Mounting

# Wireless set - ILB BT ADIO MUX-OMNI



2884208

<https://www.phoenixcontact.com/pc/products/2884208>

## Approvals



**EAC**

Approval ID: TR TS\_D\_01871-19



**KC**

Approval ID: MSIP-CRI-PCK-2884208

**FCC**

Approval ID: YG3ADIOMUX

**Industry Canada**

Approval ID: 4720B-ADIOMUX



**MIC**

Approval ID: 202-LSF002



# Wireless set - ILB BT ADIO MUX-OMNI



2884208

<https://www.phoenixcontact.com/pc/products/2884208>

## Classifications

### ECLASS

ECLASS-9.0	27242602
ECLASS-10.0.1	27242602
ECLASS-11.0	27242602

### ETIM

ETIM 8.0	EC001597
----------	----------

### UNSPSC

UNSPSC 21.0	32151600
-------------	----------

# Wireless set - ILB BT ADIO MUX-OMNI



2884208

<https://www.phoenixcontact.com/pc/products/2884208>

## Environmental Product Compliance

REACH SVHC	Lead 7439-92-1
China RoHS	Environmentally Friendly Use Period = 50 years
	For information on hazardous substances, refer to the manufacturer's declaration available under "Downloads"

# Wireless set - ILB BT ADIO MUX-OMNI

2884208

<https://www.phoenixcontact.com/pc/products/2884208>

## Accessories

### Inline shield connector

Inline shield connector - IB IL SCN 6-SHIELD-TWIN - 2740245

<https://www.phoenixcontact.com/pc/products/2740245>

Inline shield connector



---

### Inline connector

Inline connector - IB IL SCN-PWR IN-CP - 2727637

<https://www.phoenixcontact.com/pc/products/2727637>

Connector, colored, for Inline power and segment terminal blocks



---

### Inline connector

Inline connector - IB IL SCN-8 - 2726337

<https://www.phoenixcontact.com/pc/products/2726337>

Connector, for digital 1, 2 or 8-channel Inline terminals



# Wireless set - ILB BT ADIO MUX-OMNI

2884208

<https://www.phoenixcontact.com/pc/products/2884208>



## Labeling field

Labeling field - IB IL FIELD 2 - 2727501

<https://www.phoenixcontact.com/pc/products/2727501>

Labeling field, width: 12.2 mm



---

## Insert strip

Insert strip - ESL 62X10 - 0809492

<https://www.phoenixcontact.com/pc/products/0809492>

Insert strip, Sheet, white, unlabeled, can be labeled with: Office printing systems:  
Laser printer, mounting type: insert, lettering field size: 62 x 10 mm, Number of individual labels: 72



# Wireless set - ILB BT ADIO MUX-OMNI

2884208

<https://www.phoenixcontact.com/pc/products/2884208>

## Flat zack marker sheet

Flat zack marker sheet - ZBFM 6/WH:UNBEDRUCKT - 0803618

<https://www.phoenixcontact.com/pc/products/0803618>

Flat zack marker sheet, Sheet, white, unlabeled, can be labeled with: CMS-P1-PLOTTER, PLOTMARK, mounting type: snapped, for terminal block width: 6.2 mm, lettering field size: 5 x 5.5 mm, Number of individual labels: 100



---

## End clamp

End clamp - CLIPFIX 35-5 - 3022276

<https://www.phoenixcontact.com/pc/products/3022276>

Quick mounting end clamp for NS 35/7,5 DIN rail or NS 35/15 DIN rail, with marking option, with parking option for FBS...5, FBS...6, KSS 5, KSS 6, width: 5.15 mm, color: gray



# Wireless set - ILB BT ADIO MUX-OMNI

2884208

<https://www.phoenixcontact.com/pc/products/2884208>

## Antenna

Antenna - ANT-OMNI-2459-04 - 1284780

<https://www.phoenixcontact.com/pc/products/1284780>



Multiband omnidirectional antenna for freely mobile applications, compact design, frequency band: 2.4 GHz / 5 GHz / 6 GHz, gain: 2.0 dBi / 2.5 dBi / 3.0 dBi, degree of protection: IP68/IP69K, shock- and vibration-resistant, connection: N (male)

---

## Antenna

Antenna - RAD-ISM-2400-ANT-OMNI-2-1-RSMA - 2701362

<https://www.phoenixcontact.com/pc/products/2701362>



Omnidirectional antenna for wall mounting, frequency band: 2.4 GHz, gain: 2 dBi, degree of protection: IP65, connection: RSMA (male), incl. 1.5 m connecting cable, mounting bracket, and mounting material

# Wireless set - ILB BT ADIO MUX-OMNI

2884208

<https://www.phoenixcontact.com/pc/products/2884208>

## Antenna

Antenna - RAD-ISM-2400-ANT-VAN-3-0-RSMA - 2701358

<https://www.phoenixcontact.com/pc/products/2701358>



Omnidirectional antenna with protection against vandalism for control cabinet mounting, frequency band: 2.4 GHz, gain: 3 dBi, degree of protection: IP55, shockproof: IK08, connection: RSMA (male), incl. 1.5 m connecting cable

---

## Antenna

Antenna - RAD-ISM-2459-ANT-FOOD-6-0-N - 2702898

<https://www.phoenixcontact.com/pc/products/2702898>



Multiband omnidirectional antenna with protection against vandalism for control cabinet mounting, frequency band: 2.4 GHz / 5 GHz / 6 GHz, gain: 6 dBi / 8 dBi / 8 dBi, degree of protection: IP68, shockproof: IK08, resistant to cleaning agents, shock- and vibration-resistant, connection: N (female)

# Wireless set - ILB BT ADIO MUX-OMNI

2884208

<https://www.phoenixcontact.com/pc/products/2884208>

## Antenna

Antenna - ANT-OMNI-0671-02 - 1396318

<https://www.phoenixcontact.com/pc/products/1396318>



Multiband omnidirectional antenna with protection against vandalism for control cabinet mounting, frequency band: 0.6 GHz ... 7.1 GHz, gain: 2 dBi ... 4 dBi, degree of protection: IP67, shockproof: IK10, seawater-resistant, connection: N (female)

---

## Antenna

Antenna - ANT-OMNI-0671-01 - 1396316

<https://www.phoenixcontact.com/pc/products/1396316>



Multiband omnidirectional antenna for wall or mast mounting, 0.6 GHz ... 7.1 GHz, gain: 1 dBi ... 3 dBi, degree of protection: IP67, seawater-resistant, connection: N (female), incl. mounting bracket and mast clamps



# Wireless set - ILB BT ADIO MUX-OMNI

2884208

<https://www.phoenixcontact.com/pc/products/2884208>

## Antenna

Antenna - RAD-ISM-2400-ANT-OMNI-6-0 - 2885919

<https://www.phoenixcontact.com/pc/products/2885919>

Omnidirectional antenna for wall or mast mounting, 2.4 GHz, gain: 6 dBi, degree of protection: IP67, saltwater-resistant, shock- and vibration-resistant, connection: N (female), incl. mounting bracket and mast clamps, ATEX and IECEx approval



---

## Antenna

Antenna - ANT-DIR-2459-01 - 2701186

<https://www.phoenixcontact.com/pc/products/2701186>

Directional antenna for wall or mast mounting, 2.4 GHz / 5 GHz, gain: 9 dBi, degree of protection: IP67, shockproof: IK06, saltwater-resistant, connection: N (female), incl. mounting bracket and mast clamps, ATEX and IECEx approval



# Wireless set - ILB BT ADIO MUX-OMNI

2884208

<https://www.phoenixcontact.com/pc/products/2884208>

## Antenna cable

Antenna cable - RAD-PIG-EF316-N-RSMA - 2701402

<https://www.phoenixcontact.com/pc/products/2701402>

Antenna cable for control cabinet feed-through, outside diameter: 3.2 mm (0.126 in.), inner conductor: stranded, attenuation: 0.6 / 0.9 / 1.4 dB at 0.9 / 2.4 / 5.8 GHz, connection: N (female) -> RSMA (male), cable length: 0.5 m (1.6 ft.)



---

## Antenna cable

Antenna cable - RAD-PIG-RSMA/N-0.5 - 2903263

<https://www.phoenixcontact.com/pc/products/2903263>

Antenna cable, outside diameter: 5 mm (0.2 in.), inner conductor: solid, attenuation: 0.4 / 0.5 / 0.6 dB at 0.9 / 2.4 / 5.8 GHz, connection: N (male) -> RSMA (male), cable length: 0.5 m (1.6 ft.)



# Wireless set - ILB BT ADIO MUX-OMNI

2884208

<https://www.phoenixcontact.com/pc/products/2884208>

## Antenna cable

Antenna cable - RAD-PIG-RSMA/N-1 - 2903264

<https://www.phoenixcontact.com/pc/products/2903264>



Antenna cable, outside diameter: 5 mm (0.2 in.), inner conductor: solid, attenuation: 0.5 / 0.8 / 1.1 dB at 0.9 / 2.4 / 5.8 GHz, connection: N (male) -> RSMA (male), cable length: 1 m (3.3 ft.)

---

## Antenna cable

Antenna cable - RAD-PIG-RSMA/N-2 - 2903265

<https://www.phoenixcontact.com/pc/products/2903265>



Antenna cable, outside diameter: 5 mm (0.2 in.), inner conductor: solid, attenuation: 0.9 / 1.3 / 2.0 dB at 0.9 / 2.4 / 5.8 GHz, connection: N (male) -> RSMA (male), cable length: 2 m (6.5 ft.)

# Wireless set - ILB BT ADIO MUX-OMNI

2884208

<https://www.phoenixcontact.com/pc/products/2884208>

## Antenna cable

Antenna cable - RAD-PIG-RSMA/N-3 - 2903266

<https://www.phoenixcontact.com/pc/products/2903266>



Antenna cable, outside diameter: 5 mm (0.2 in.), inner conductor: solid, attenuation: 1.2 / 2.0 / 3.0 dB at 0.9 / 2.4 / 5.8 GHz, connection: N (male) -> RSMA (male), cable length: 3 m (10 ft.)

---

## Antenna cable

Antenna cable - RAD-PIG-RSMA/N-5 - 2702140

<https://www.phoenixcontact.com/pc/products/2702140>



Antenna cable, outside diameter: 5 mm (0.2 in.), inner conductor: solid, attenuation: 2.0 / 3.3 / 4.8 dB at 0.9 / 2.4 / 5.8 GHz, connection: N (male) -> RSMA (male), cable length: 5 m (16 ft.)

# Wireless set - ILB BT ADIO MUX-OMNI

2884208

<https://www.phoenixcontact.com/pc/products/2884208>

## Antenna cable

Antenna cable - RAD-CAB-EF393- 3M - 2867649

<https://www.phoenixcontact.com/pc/products/2867649>



Antenna cable, outside diameter: 10 mm (0.4 in.), inner conductor: stranded, attenuation: 1.0 / 1.8 / 3.1 dB at 0.9 / 2.4 / 5.8 GHz, connection: 2 x N (male), cable length: 3 m (10 ft.)

---

## Antenna cable

Antenna cable - RAD-CAB-EF393- 5M - 2867652

<https://www.phoenixcontact.com/pc/products/2867652>



Antenna cable, outside diameter: 10 mm (0.4 in.), inner conductor: stranded, attenuation: 1.6 / 2.9 / 5.0 dB at 0.9 / 2.4 / 5.8 GHz, connection: 2 x N (male), cable length: 5 m (16 ft.)

# Wireless set - ILB BT ADIO MUX-OMNI

2884208

<https://www.phoenixcontact.com/pc/products/2884208>

## Antenna cable

Antenna cable - RAD-CAB-EF393-10M - 2867665

<https://www.phoenixcontact.com/pc/products/2867665>



Antenna cable, outside diameter: 10 mm (0.4 in.), inner conductor: stranded, attenuation: 2.9 / 5.6 / 9.9 dB at 0.9 / 2.4 / 5.8 GHz, connection: 2 x N (male), cable length: 10 m (32 ft.)

---

## Antenna cable

Antenna cable - RAD-CAB-EF393-15M - 2885634

<https://www.phoenixcontact.com/pc/products/2885634>



Antenna cable, outside diameter: 10 mm (0.4 in.), inner conductor: stranded, attenuation: 4.3 / 8.3 / 14.8 dB at 0.9 / 2.4 / 5.8 GHz, connection: 2 x N (male), cable length: 15 m (50 ft.)

# Wireless set - ILB BT ADIO MUX-OMNI

2884208

<https://www.phoenixcontact.com/pc/products/2884208>

## Surge protection device

Surge protection device - CN-LAMBDA/4-5.9-BB - 2838490

<https://www.phoenixcontact.com/pc/products/2838490>



Attachment plug with Lambda/4 technology as surge protection for coaxial signal interfaces. Connection: N connectors socket-socket

---

## Adapter

Adapter - RAD-ADP-N/F-N/F - 2867843

<https://www.phoenixcontact.com/pc/products/2867843>



Antenna adapter for control cabinet feed-through, frequency range: 0.3 GHz ... 6 GHz, degree of protection: IP65, connection: 2 x N (female)

# Wireless set - ILB BT ADIO MUX-OMNI



2884208

<https://www.phoenixcontact.com/pc/products/2884208>

## Adapter

Adapter - RAD-ADP-RSMA/M-RSMA/F-90 - 2904790

<https://www.phoenixcontact.com/pc/products/2904790>



Antenna adapter, frequency range: 0.3 GHz ... 6 GHz, connection: RSMA (male)  
-> RSMA (female), 90° angled

---

## Weather protection tape

Weather protection tape - RAD-TAPE-SV-19-3 - 2903182

<https://www.phoenixcontact.com/pc/products/2903182>



Vulcanizing sealing tape for external protection of adapters, cable connections,  
etc. against the effects of weather, roll length: 3 m

---

Phoenix Contact 2022 © - all rights reserved  
<https://www.phoenixcontact.com>

PHOENIX CONTACT GmbH & Co. KG  
Flachsmarktstraße 8  
D-32825 Blomberg  
+49 (0) 5235-3 00  
[info@phoenixcontact.com](mailto:info@phoenixcontact.com)