

Current transducers - MACX MCR-SL-CAC- 5-I



2810612

<https://www.phoenixcontact.com/pc/products/2810612>

Please be informed that the data shown in this PDF document is generated from our Online Catalog. Please find the complete data in the user documentation. Our General Terms of Use for Downloads are valid.



Current measuring transducer for 1 A and 5 A AC, the output signal 0...20 mA or 4...20 mA, can be configured using a DIP switch with an operating mode indication through an LED

Product Description

The MACX MCR-SL-CAC-5-I(-UP) current measuring transducers convert sinusoidal alternating currents of 1 A or 5 A into standard analog signals 0...20 mA or 4...20 mA. The DIP switches, which can be accessed on the upper side of the housing, can be used to configure the input and output current.

The MACX MCR-SL-CAC-5-I current transducer contains a supply voltage range of 19.2 V DC to 30 V DC.

The MACX MCR-SL-CAC-5-I current transducer contains a long range version with a supply voltage range of 19.2 V AC/DC to 253 V AC/DC.

Your advantages

- Input/output can be configured via DIP switches

Current transducers - MACX MCR-SL-CAC- 5-I



2810612

<https://www.phoenixcontact.com/pc/products/2810612>

Commercial Data

Item number	2810612
Packing unit	1 pc
Minimum order quantity	1 pc
Note	Made to Order (non-returnable)
Product Key	CK4A21
Catalog Page	Page 234 (C-5-2019)
GTIN	4046356153775
Weight per Piece (including packing)	206.8 g
Weight per Piece (excluding packing)	172.5 g
Customs tariff number	85437090
Country of origin	DE

Technical Data

Notes

Utilization restriction

EMC note	EMC: class A product, see manufacturer's declaration in the download area
----------	---

Product properties

Product type	Current transducer
--------------	--------------------

Insulation characteristics

Overvoltage category	III
Pollution degree	2

Electrical properties

Maximum power dissipation for nominal condition	1.2 W
Protective circuit	Surge protection; 35 V suppressor diode
Step response (10-90%)	≤ 300 ms 200 ms
Maximum temperature coefficient	< 0.02 %/K
Temperature coefficient, typical	< 0.015 %/K
Maximum transmission error	≤ 0.5 % (of nominal range value under nominal conditions)
Reverse polarity protection	yes

Electrical isolation Input/output

Test voltage	4 kV AC (50 Hz, 60 s)
--------------	-----------------------

Electrical isolation Output/supply

Test voltage	2 kV AC (50 Hz, 60 s)
Rated insulation voltage	300 V AC (to earth)

Supply

Nominal supply voltage	24 V DC -20 % ... +25 %
Supply voltage range	19.2 V DC ... 30 V DC
Max. current consumption	< 32 mA (at $U_B=24$ V DC, $I_{OUT}=20$ mA)
Power consumption	< 0.9 W (at $U_B=24$ V DC, $I_{OUT}=20$ mA)

Input data

Measurement

Configurable/programmable	Via DIP switches
Input current range	0 A AC ... 1 A AC (configurable) 0 A AC ... 5 A AC (configurable)
Voltage input signal	≤ 300 V AC
Input impedance	< 50 mΩ
Overload capacity	2 x I_N (continuous)

Current transducers - MACX MCR-SL-CAC- 5-I

2810612

<https://www.phoenixcontact.com/pc/products/2810612>

Surge strength	20 x I _N (1 s)
Nominal frequency f _N	50 Hz
Frequency measuring range	45 Hz ... 65 Hz
Connection method	Screw terminal block
Curve type	Sine

Output data

Signal: Current

Output name	Current output
Configurable/programmable	Via DIP switches
Non-load voltage	15 V
Current output signal	0 mA ... 20 mA (configurable) 4 mA ... 20 mA (configurable)
Max. current output signal	25 mA
Load/output load current output	< 500 Ω (20 mA)
Ripple	< 10 mV _{PP} (500 Ω / 20 mA)
Status display	LED red (error), LED green (ready)

Connection data

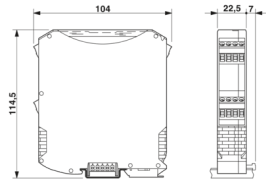
Connection method	Screw connection
Stripping length	8 mm
Screw thread	M3
Conductor cross section solid	0.2 mm ² ... 2.5 mm ²
Conductor cross section flexible	0.2 mm ² ... 2.5 mm ²
Conductor cross section AWG	24 ... 14

Interfaces

Data communication (bypass)

Limit frequency (3 dB)	approx. 3 Hz
------------------------	--------------

Dimensions

Dimensional drawing	
Width	22.5 mm
Height	104 mm
Depth	114.5 mm

Material specifications

Housing material	Polyamide PA non-reinforced
------------------	-----------------------------

Environmental and real-life conditions

Ambient conditions

Degree of protection	IP20
Ambient temperature (operation)	-20 °C ... 65 °C -4 °F ... 149 °F
Ambient temperature (storage/transport)	-40 °C ... 85 °C (-40 °F ... 185 °F)
Altitude	≤ 2000 m
Permissible humidity (operation)	10 % ... 95 % (non-condensing)

Approval data

CE

Certificate	CE-compliant
-------------	--------------

CE

Identification	<input type="checkbox"/> II 3 G Ex nA IIC T4 Gc X
----------------	---

CE

Identification	<input type="checkbox"/> II 3 G Ex nA IIC T4 Gc
Certificate	PxCIF21UKEX2810612X

CE

Identification	UL 508 Recognized
----------------	-------------------

CE

Identification	<input type="checkbox"/> 2Ex nA IIC T4 Gc
Certificate	BY/112 02.01 TP012 103.01 00078

EMC data

Electromagnetic compatibility	Conformance with EMC directive
Noise emission	EN 61000-6-4
Noise immunity	EN 61000-6-2
Note	When being exposed to interference, there may be minimal deviations.

Electrostatic discharge

Standards/regulations	EN 61000-4-2
-----------------------	--------------

Electromagnetic HF field

Standards/regulations	EN 61000-4-3
-----------------------	--------------

Electromagnetic HF field

Comments	Criterion A
----------	-------------

Fast transients (burst)

Standards/regulations	EN 61000-4-4
-----------------------	--------------

Fast transients (burst)

Current transducers - MACX MCR-SL-CAC- 5-I



2810612

<https://www.phoenixcontact.com/pc/products/2810612>

Comments	Criterion B
Surge current load (surge)	
Standards/regulations	EN 61000-4-5
Surge current load (surge)	
Comments	Criterion B
Conducted interference	
Standards/regulations	EN 61000-4-6

Mounting

Mounting type	DIN rail mounting
Mounting position	any

Current transducers - MACX MCR-SL-CAC- 5-I

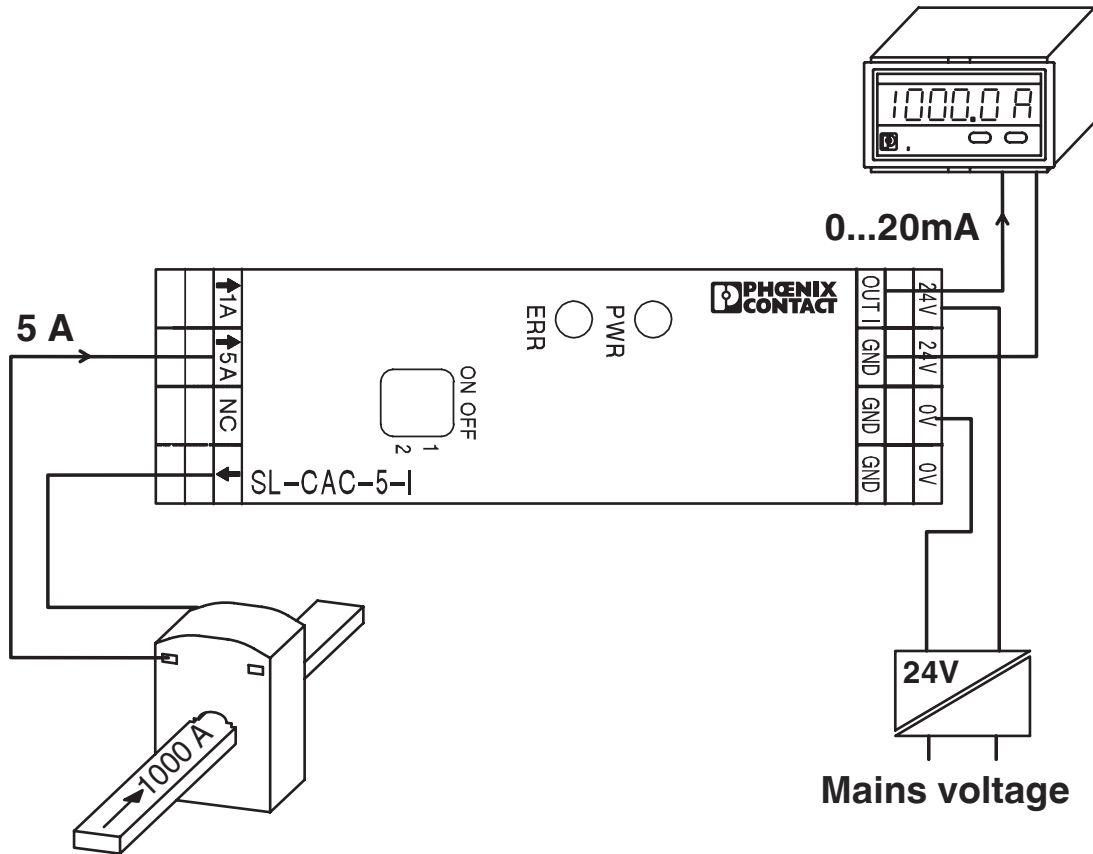


2810612

<https://www.phoenixcontact.com/pc/products/2810612>

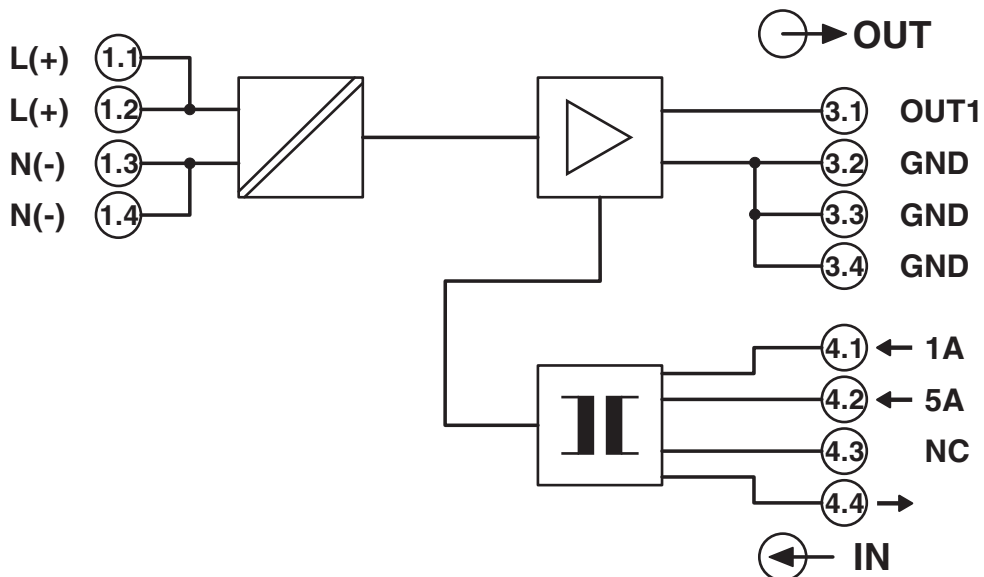
Drawings

Application drawing



Current measurement

Circuit diagram



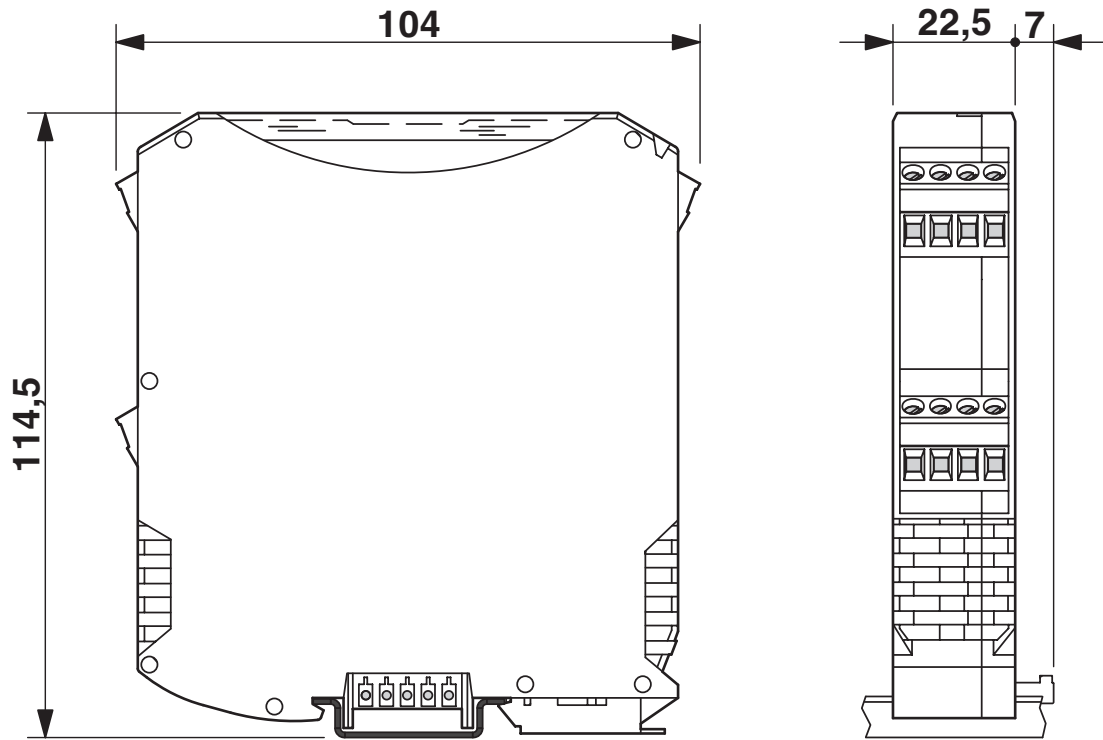
Current transducers - MACX MCR-SL-CAC- 5-I

2810612

<https://www.phoenixcontact.com/pc/products/2810612>



Dimensional drawing



Current transducers - MACX MCR-SL-CAC- 5-I



2810612

<https://www.phoenixcontact.com/pc/products/2810612>

Approvals



cUL Recognized

Approval ID: FILE E 238705



UL Recognized

Approval ID: FILE E 238705



EAC Ex

Approval ID: RU C-DE.AB72.B.02066



ATEX

Approval ID: 2810612_Ex-n

cULus Recognized

Current transducers - MACX MCR-SL-CAC- 5-I



2810612

<https://www.phoenixcontact.com/pc/products/2810612>

Classifications

ECLASS

ECLASS-9.0	27210123
ECLASS-10.0.1	27210123
ECLASS-11.0	27210123

ETIM

ETIM 8.0	EC002475
----------	----------

UNSPSC

UNSPSC 21.0	39121000
-------------	----------

Current transducers - MACX MCR-SL-CAC- 5-I



2810612

<https://www.phoenixcontact.com/pc/products/2810612>

Environmental Product Compliance

REACH SVHC	Lead 7439-92-1
China RoHS	Environmentally Friendly Use Period = 50 years
	For information on hazardous substances, refer to the manufacturer's declaration available under "Downloads"

Current transducers - MACX MCR-SL-CAC- 5-I

2810612

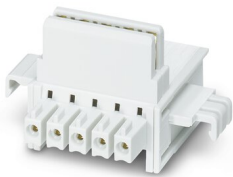
<https://www.phoenixcontact.com/pc/products/2810612>

Accessories

DIN rail bus connectors

DIN rail bus connectors - ME 22,5 TBUS 1,5/ 5-ST-3,81 GY - 2201937

<https://www.phoenixcontact.com/pc/products/2201937>

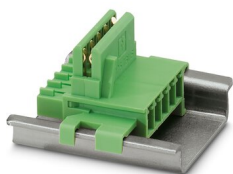


DIN rail connector, color: gray, nominal current: 8 A (parallel contacts), rated voltage (III/2): 125 V, number of positions: 5, pitch: 3.81 mm, locking: without, mounting: without, type of packaging: packed in cardboard, Item with gold-plated contacts, bus connectors for connecting with electronics housings, 5 parallel contacts

DIN rail bus connectors

DIN rail bus connectors - ME 17,5 TBUS 1,5/ 5-ST-3,81 GN - 2709561

<https://www.phoenixcontact.com/pc/products/2709561>



DIN rail connector for DIN rail mounting. Universal for TBUS housing. Gold-plated contacts, 5-pos.

Current transducers - MACX MCR-SL-CAC- 5-I

2810612

<https://www.phoenixcontact.com/pc/products/2810612>

Power supply unit

Power supply unit - QUINT4-SYS-PS/1AC/24DC/2.5/SC - 2904614

<https://www.phoenixcontact.com/pc/products/2904614>



Primary-switched power supply unit, QUINT POWER, Screw connection, DIN rail mounting, input: 1-phase, output: 24 V DC / 2.5 A

Phoenix Contact 2022 © - all rights reserved

<https://www.phoenixcontact.com>

PHOENIX CONTACT GmbH & Co. KG

Flachsmarktstraße 8

D-32825 Blomberg

+49 (0) 5235-3 00

info@phoenixcontact.com