

# Connector - SACC-M12MS-5PL M



1424649

<https://www.phoenixcontact.com/pc/products/1424649>

Please be informed that the data shown in this PDF document is generated from our Online Catalog. Please find the complete data in the user documentation. Our General Terms of Use for Downloads are valid.

---



Connector, Universal, 5-position, unshielded, Plug straight M12, Coding: A, Push-lock spring connection, knurl material: Zinc die-cast, nickel-plated, external cable diameter 4 mm ... 8 mm

---

## Your advantages

- Time-saving Push-Lock connection: Tool-free connection and disconnection of conductors by opening the contact levers
- Intuitive connection: Easy assignment of individual litz wires with color-coded and numerical identification of the contact levers
- Integrated Push-in Technology: Wire rigid and pretreated conductors easily by means of simple, direct insertion
- Shock- and vibration-resistant connection: Proven spring-cage technology guarantees secure and reliable contacting

# Connector - SACC-M12MS-5PL M



1424649

<https://www.phoenixcontact.com/pc/products/1424649>

## Commercial Data

Item number	1424649
Packing unit	1 pc
Minimum order quantity	1 pc
Product Key	BF2CEA
Catalog Page	Page 19 (C-2-2019)
GTIN	4055626374970
Weight per Piece (including packing)	22 g
Weight per Piece (excluding packing)	21.6 g
Customs tariff number	85366990
Country of origin	DE

# Connector - SACC-M12MS-5PL M

1424649

<https://www.phoenixcontact.com/pc/products/1424649>

## Technical Data

### Notes

Assembly instruction:

**NOTE:** Observe the permissible bending radii when laying conductors, since the degree of protection may be put in jeopardy if the bending forces are too high. Alleviate mechanical loads upstream of the connector, e.g. by using cable ties.

### Product properties

Product type	Circular connector (cable-side)
Number of positions	5
No. of cable outlets	1
Shielded	no
Coding	A - standard
Cable outlet	straight

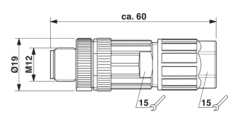
### Insulation characteristics

Overvoltage category	II
Degree of pollution	3

### Ambient conditions

Degree of protection	IP65 IP67
Ambient temperature (operation)	-40 °C ... 85 °C (Plug / socket)

### Dimensions

Dimensional drawing	
Length	60 mm

### External dimensions

Outside diameter	4 mm ... 8 mm
------------------	---------------

### Housing

Diameter housing	19 mm
------------------	-------

### Connector

Insertion/withdrawal cycles	≥ 100
-----------------------------	-------

### Header 1

Head design	Plug
Head cable outlet	straight
Head thread type	M12

# Connector - SACC-M12MS-5PL M



1424649

<https://www.phoenixcontact.com/pc/products/1424649>

Coding	A-coded
Number of positions	5
Coding	A - standard
Insertion/withdrawal cycles	≥ 100
Connection method	Push-lock spring connection
Contact material	CuSn
Contact surface material	Ni/Au
Number of positions	5
Coding	A - standard
Insertion/withdrawal cycles	≥ 100
Connection method	Push-lock spring connection
Contact material	CuSn
Contact surface material	Ni/Au

## Electrical properties

Rated surge voltage	1.5 kV
Contact resistance	≤ 5 mΩ
Insulation resistance	≥ 100 MΩ
Nominal voltage $U_N$	48 V AC
	60 V DC
Nominal current $I_N$	4 A (2 A when using 0.14 mm <sup>2</sup> conductors)

## Material specifications

Color Handle area	black
Material	PBT (Pressure nut, weight: 2.36 g)
	PA 6 (Actuation lever)
Flammability rating according to UL 94	V0
Sealing material	NBR
Material of grip body	PA 6.6
Contact material	CuSn
Contact surface material	Ni/Au
Contact carrier material	PA 6.6
Cable gland material	Zinc die-cast, nickel-plated
Standards/regulations	PA 6.6: Fire protection in rail vehicles - requirement sets R22, R23, R24, and R26 acc. to DIN EN 45545-2 (Risk level HL1 - HL3)
	PA 6: Fire protection in rail vehicles - requirement sets R22, R23, and R24 acc. to DIN EN 45545-2 (Risk level HL1 - HL3)
	PBT: Fire protection in rail vehicles - requirement sets R22, R23, R24, and R26 acc. to DIN EN 45545-2 (Risk level HL1 - HL2, R26: HL3)

## Connection data

### Conductor connection

Connection method	Push-lock spring connection
-------------------	-----------------------------

# Connector - SACC-M12MS-5PL M



1424649

<https://www.phoenixcontact.com/pc/products/1424649>

Conductor cross section flexible	0.14 mm <sup>2</sup> ... 0.75 mm <sup>2</sup>
Cross section AWG	26 ... 18

## Pin assignment

Contact   Color (signal designation)   Contact (optional)	1 = BN
	2 = WH
	3 = BU
	4 = BK
	5 = GY

## Mounting

Assembly instructions	The wires can be connected both with ferrules and without ferrules
-----------------------	--

## Standards and regulations

### Testing

Standards/regulations	PA 6.6: Fire protection in rail vehicles - requirement sets R22, R23, R24, and R26 acc. to DIN EN 45545-2 (Risk level HL1 - HL3)
	PA 6: Fire protection in rail vehicles - requirement sets R22, R23, and R24 acc. to DIN EN 45545-2 (Risk level HL1 - HL3)
	PBT: Fire protection in rail vehicles - requirement sets R22, R23, R24, and R26 acc. to DIN EN 45545-2 (Risk level HL1 - HL2, R26: HL3)

### M12

Standards/specifications	IEC 61076-2-101
--------------------------	-----------------

### M12

Standards/specifications	EN 50155:2001
--------------------------	---------------

## Cable / line

### Cable structure

Signal type/category	Universal
Stripping length of the individual wire	7 mm

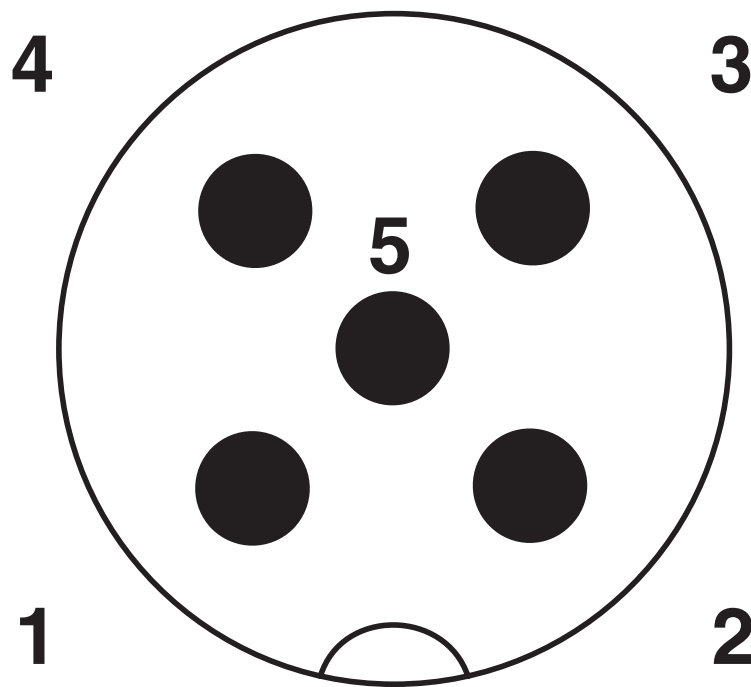
# Connector - SACC-M12MS-5PL M

1424649

<https://www.phoenixcontact.com/pc/products/1424649>

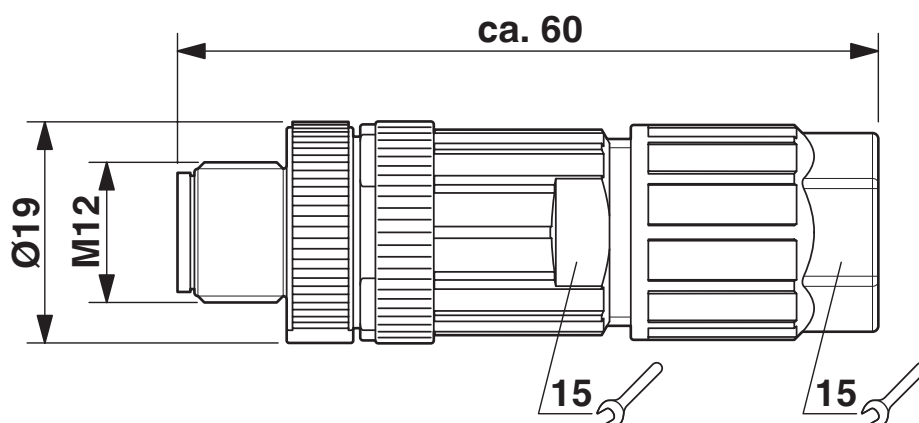
## Drawings

Schematic diagram



Pin assignment M12 male connector, 5-pos., A-coded, male side

Dimensional drawing



Plug, M12 x 1, straight

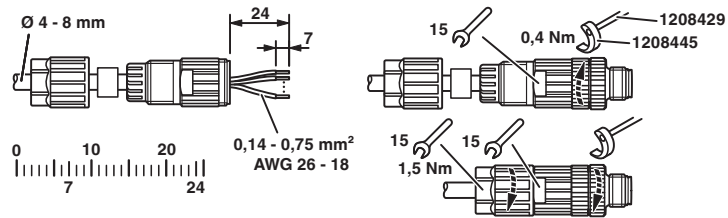
# Connector - SACC-M12MS-5PL M

1424649

<https://www.phoenixcontact.com/pc/products/1424649>



## Functional drawing



# Connector - SACC-M12MS-5PL M



1424649

<https://www.phoenixcontact.com/pc/products/1424649>

## Approvals



**EAC**

Approval ID: EAC-Zulassung



**EAC**

Approval ID: RU C-DE.BL08.B.00511



**UL Listed**

Approval ID: E221474

	Nominal Voltage $U_N$	Nominal Current $I_N$	Cross Section AWG	Cross Section $\text{mm}^2$
	250 V	4 A	-	26 - 18



**cUL Listed**

Approval ID: E221474

	Nominal Voltage $U_N$	Nominal Current $I_N$	Cross Section AWG	Cross Section $\text{mm}^2$
	250 V	4 A	26 - 18	-

**cULus Listed**



# Connector - SACC-M12MS-5PL M



1424649

<https://www.phoenixcontact.com/pc/products/1424649>

## Classifications

### ECLASS

ECLASS-9.0	27440102
ECLASS-10.0.1	27440102
ECLASS-11.0	27440102

### ETIM

ETIM 8.0	EC002635
----------	----------

### UNSPSC

UNSPSC 21.0	39121400
-------------	----------

# Connector - SACC-M12MS-5PL M



1424649

<https://www.phoenixcontact.com/pc/products/1424649>

## Environmental Product Compliance

China RoHS	Environmentally friendly use period: unlimited = EFUP-e
	No hazardous substances above threshold values

# Connector - SACC-M12MS-5PL M



1424649

<https://www.phoenixcontact.com/pc/products/1424649>

## Accessories

### Cable reel

Cable reel - SAC-5P-100,0-PUR/0,34 - 1501676

<https://www.phoenixcontact.com/pc/products/1501676>



By the meter, Cable reel, PUR halogen-free, black-gray RAL 7021, 5-wire, color single wire: brown, white, blue, black, green-yellow, cable length: 100 m

---

### Ferrule

Ferrule - AI 0,25- 6 YE - 3203024

<https://www.phoenixcontact.com/pc/products/3203024>



Ferrule, sleeve length: 6 mm, length: 10.5 mm, color: yellow

# Connector - SACC-M12MS-5PL M

1424649

<https://www.phoenixcontact.com/pc/products/1424649>

## Ferrule

Ferrule - A 0,25- 7 - 3202478

<https://www.phoenixcontact.com/pc/products/3202478>



Ferrule, length: 7 mm, color: silver

---

## Ferrule

Ferrule - A 0,34- 7 - 3009202

<https://www.phoenixcontact.com/pc/products/3009202>



Ferrule, length: 7 mm, color: silver

---

# Connector - SACC-M12MS-5PL M

1424649

<https://www.phoenixcontact.com/pc/products/1424649>

## Ferrule

Ferrule - A 0,5 - 6 - 3200218

<https://www.phoenixcontact.com/pc/products/3200218>

Ferrule, length: 6 mm, color: silver



---

## Ferrule

Ferrule - AI 0,5 - 6 WH - 3200687

<https://www.phoenixcontact.com/pc/products/3200687>

Ferrule, sleeve length: 6 mm, length: 12 mm, color: white



# Connector - SACC-M12MS-5PL M

1424649

<https://www.phoenixcontact.com/pc/products/1424649>

## Stripping tool

Stripping tool - WIREFOX 2,5 - 1212368

<https://www.phoenixcontact.com/pc/products/1212368>



Stripping tool, for conductors and cables with a conductor cross section from 0.08 to 2.5 mm, self-adjusting, stripping length adjustable up to 15 mm, cutting capacity up to 6 mm<sup>2</sup> stranded/1.5 mm<sup>2</sup> solid

---

## Stripping tool

Stripping tool - WIREFOX SAC - 1212623

<https://www.phoenixcontact.com/pc/products/1212623>



Stripping pliers, for halogen-free sensor/actuator cables (SAC cables), with PUR and PVC insulation, from Ø of 4.4 to 7 mm, any stripping length

# Connector - SACC-M12MS-5PL M

1424649

<https://www.phoenixcontact.com/pc/products/1424649>

## Torque screwdriver

Torque screwdriver - TSD 04 SAC - 1208429

<https://www.phoenixcontact.com/pc/products/1208429>



Torque screwdriver, with preset torque of 0.4 Nm and 4 mm hexagonal drive for M12 connectors

---

## Torque screwdriver

Torque screwdriver - TSD-M 1,2NM - 1212224

<https://www.phoenixcontact.com/pc/products/1212224>



Torque screw driver, accuracy as per EN ISO 6789 standard, adjustable from 0.3 - 1.2 Nm

# Connector - SACC-M12MS-5PL M



1424649

<https://www.phoenixcontact.com/pc/products/1424649>

## Adapter insert

Adapter insert - TSD-M SAC-BIT ADAPTER - 1212600

<https://www.phoenixcontact.com/pc/products/1212600>



Adapter bit for TSD-M...torque tools, E6.3-1/4" drive with 4 mm hexagon to accommodate SAC bits

---

## Sealing cap

Sealing cap - PROT-M12 FS-PA-CHAIN - 1430873

<https://www.phoenixcontact.com/pc/products/1430873>



M12 sealing cap made of plastic with fixing band, for sensor cables, for free M12 plugs



# Connector - SACC-M12MS-5PL M



1424649

<https://www.phoenixcontact.com/pc/products/1424649>

## Crimping pliers

Crimping pliers - CRIMPFOX 6H - 1212046

<https://www.phoenixcontact.com/pc/products/1212046>



Crimping pliers, for ferrules without insulating collar according to DIN 46228 Part 1 and ferrules with insulating collar according to DIN 46228 Part 4, 0.14 mm<sup>2</sup> ... 6 mm<sup>2</sup>, unlockable pressure lock, lateral entry

---

## Tool

Tool - SACC BIT M12-D20 - 1208445

<https://www.phoenixcontact.com/pc/products/1208445>



Nut for assembling M12 connectors for assembly with a knurl diameter of 20 mm, for 4 mm hexagonal drive

---

Phoenix Contact 2022 © - all rights reserved  
<https://www.phoenixcontact.com>

PHOENIX CONTACT GmbH & Co. KG  
Flachsmarktstraße 8  
D-32825 Blomberg  
+49 (0) 5235-3 00  
[info@phoenixcontact.com](mailto:info@phoenixcontact.com)