

Bus system flat-type plug - SACCBP-M12MS-5CON-M16/0,5-920



1534423

<https://www.phoenixcontact.com/pc/products/1534423>

Please be informed that the data shown in this PDF document is generated from our Online Catalog. Please find the complete data in the user documentation. Our General Terms of Use for Downloads are valid.



Bus system flush-type plug, DeviceNet/CANopen, 5-pos., M12, shielded, A-coded, rear/screw mounting with M16 thread, with 0.5 m bus cable, 2 x 0.2 mm², 2 x 0.32 mm²

Your advantages

- Pre-assembled with cables in various standard lengths for immediate use
- Customer-specific assemblies and cable lengths can be supplied
- Sealed on the cable side for optimum tightness of seal
- Cable designs for all common networks and fieldbuses
- For high transmission safety: shield connection to the housing with optional EMC nut

Bus system flat-type plug - SACCBP-M12MS-5CON-M16/0,5-920



1534423

<https://www.phoenixcontact.com/pc/products/1534423>

Commercial Data

Item number	1534423
Packing unit	1 pc
Minimum order quantity	1 pc
Product Key	ABQCEC
Catalog Page	Page 427 (C-2-2019)
GTIN	4046356026598
Weight per Piece (including packing)	64 g
Weight per Piece (excluding packing)	53 g
Customs tariff number	85444290
Country of origin	DE

Bus system flat-type plug - SACCBP-M12MS-5CON-M16/0,5-920



1534423

<https://www.phoenixcontact.com/pc/products/1534423>

Technical Data

Notes

Notes on operation	The electrical and mechanical data specified assume that the connector pair is correctly locked and mounted. If the connector is unlocked and if there is a danger of contamination, the connector must be sealed using a protective cap > IP54. Influences arising from litz wires, cables or PCB assembly must also be taken into consideration.
Safety note	
Safety note	<p>WARNING: The connectors may not be plugged in or disconnected under load. Ignoring the warning or improper use may damage persons and/or property.</p> <ul style="list-style-type: none">• WARNING: Commission properly functioning products only. The products must be regularly inspected for damage. Decommission defective products immediately. Replace damaged products. Repairs are not possible.• WARNING: Only electrically qualified personnel may install and operate the product. They must observe the following safety notes. The qualified personnel must be familiar with the basics of electrical engineering. They must be able to recognize and prevent danger. The relevant symbol on the packaging indicates that only personnel familiar with electrical engineering are allowed to install and operate the product.• The products are suitable for applications in plant, controller, and electrical device engineering.• When operating the connectors in outdoor applications, they must be separately protected against environmental influences.• Assembled products may not be manipulated or improperly opened.• Only use mating connectors that are specified in the technical data of the standards listed (e.g. the ones listed in the product accessories online at phoenixcontact.com/products).• When using the product in direct connection with third-party manufacturers, the user is responsible.• For operating voltages > 50 V AC, conductive connector housings must be grounded• Ensure that when laying the cable, the tensile load on the connectors does not exceed the upper limit specified in the standards.• Observe the corresponding technical data. You will find information:<ul style="list-style-type: none">o On the producto On the packing labelo In the supplied documentationo Online at phoenixcontact.com/products under the product• Only use tools recommended by Phoenix Contact• Use a protective cap to protect connectors that are not in use. The suitable accessories are available online in the accessory section of the product at phoenixcontact.com/products

Bus system flat-type plug - SACCBP-M12MS-5CON-M16/0,5-920



1534423

<https://www.phoenixcontact.com/pc/products/1534423>

	<ul style="list-style-type: none">• Ensure that the protective or functional ground has been properly connected.
	<ul style="list-style-type: none">• VDE 0100/1.97 § 411.1.3.2 and DIN EN 60 204/11.98 § 14.1.3 are applicable when combining several circuits in a cable and/or connector
	<ul style="list-style-type: none">• The connector warms up in normal operation. Depending on the ambient conditions, the surface of the connector can continue to warm up. In this case, the user is responsible for posting warnings (e.g. DIN EN ISO 13732-1:2008-12).

Product properties

Product type	Circular connectors (device side)
Number of positions	5
No. of cable outlets	1
Shielded	yes
Coding	A - standard

Insulation characteristics

Overvoltage category	II
Degree of pollution	3

Ambient conditions

Degree of protection	IP67 (When plugged in) IP65 (When plugged in)
Degree of protection	IP65/IP67
Ambient temperature (operation)	-25 °C ... 85 °C (Plug / socket) -40 °C ... 85 °C (without mechanical actuation)

Connector

Insertion/withdrawal cycles	> 100
-----------------------------	-------

Header 1

Head design	Flush-type male connector
Head cable outlet	straight
Head thread type	M12
Head locking type	SPEEDCON
Coding	A-coded

Header 2

Head design	free cable end
-------------	----------------

Electrical properties

Rated surge voltage	1.5 kV
Contact resistance	≤ 3 mΩ
Insulation resistance	≥ 100 MΩ
Nominal voltage U _N	48 V AC

Bus system flat-type plug - SACCBP-M12MS-5CON-M16/0,5-920



1534423

<https://www.phoenixcontact.com/pc/products/1534423>

	60 V DC
Nominal current I_N	4 A (Plug/socket in accordance with IEC 61076-2-101, cable technical data is to be observed)
Test voltage	2500 V
Transmission medium	Copper

Material specifications

Flammability rating according to UL 94	V0
Sealing material	FKM
Contact material	CuZn
Contact surface material	Ni/Au
Contact carrier material	PA 6.6
Cable gland material	Zinc die-cast, nickel-plated

Mounting

Mounting type	Rear mounting, M16 x 1.5 thread with flat nut
---------------	---

Standards and regulations

M12

Standards/specifications	IEC 61076-2-101
--------------------------	-----------------

Cable / line

Cable length	0.5 m
--------------	-------

Cable structure

Cable type	CANopen [®] /DeviceNet [™] , PUR, violet
Signal type/category	CANopen [®] DeviceNet [™]
Outer sheath, material	PUR
External sheath, color	red lilac RAL 4001

Bus system flat-type plug - SACCBP-M12MS-5CON-M16/0,5-920

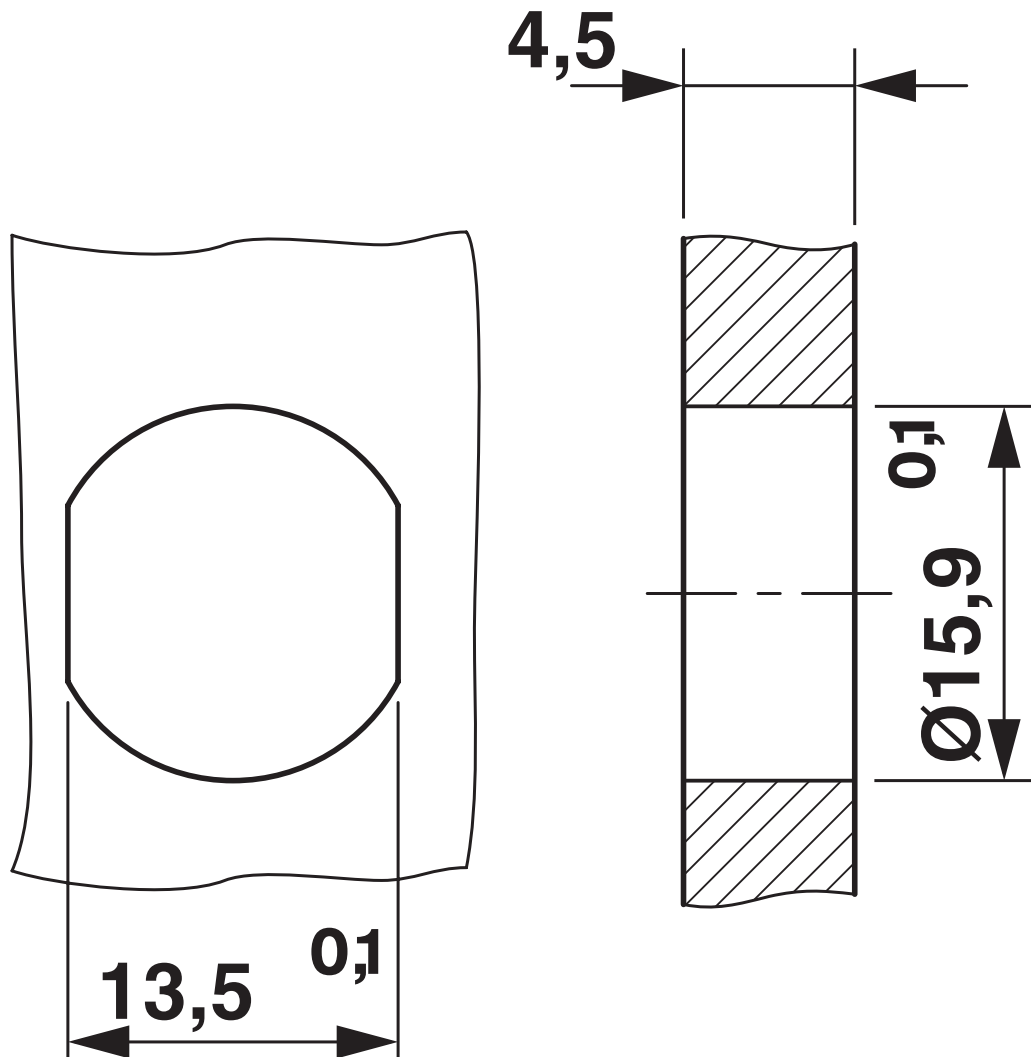


1534423

<https://www.phoenixcontact.com/pc/products/1534423>

Drawings

Dimensional drawing

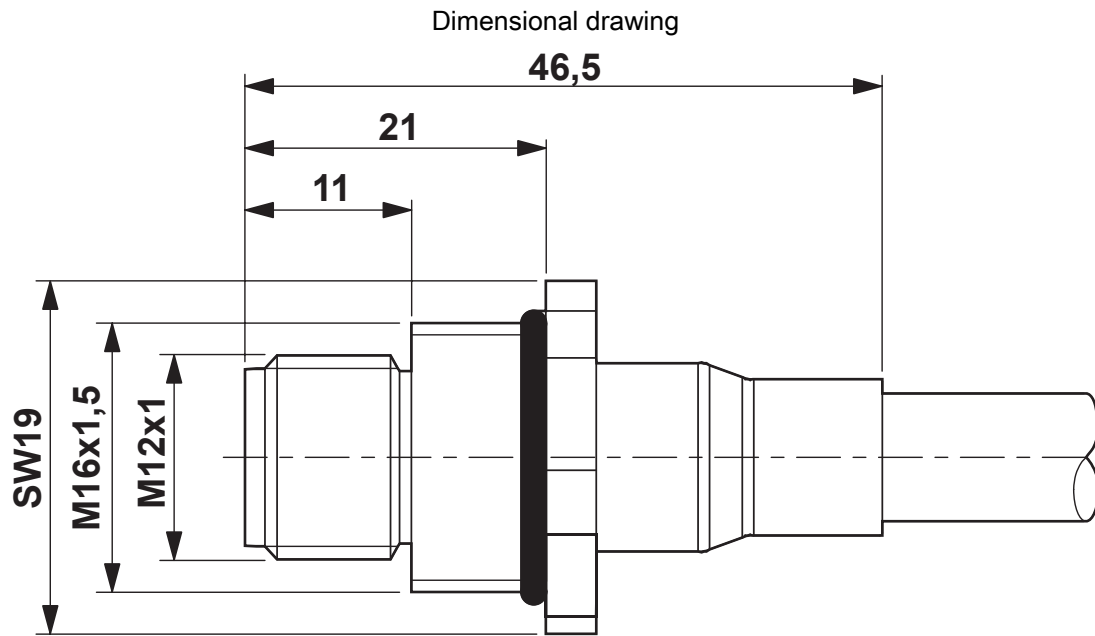


Housing cutout for M16 fastening thread, mounting panel with feed-through hole (alternatively with surface as protection against rotation)

Bus system flat-type plug - SACCBP-M12MS-5CON-M16/0,5-920

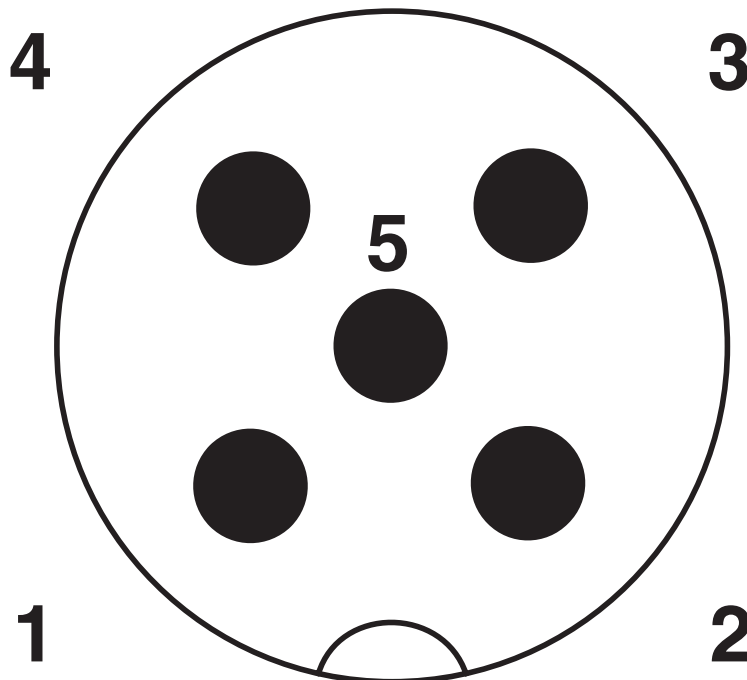
1534423

<https://www.phoenixcontact.com/pc/products/1534423>



M12 flush-type plug

Schematic diagram



Pin assignment M12 male connector, 5-pos., A-coded, male side

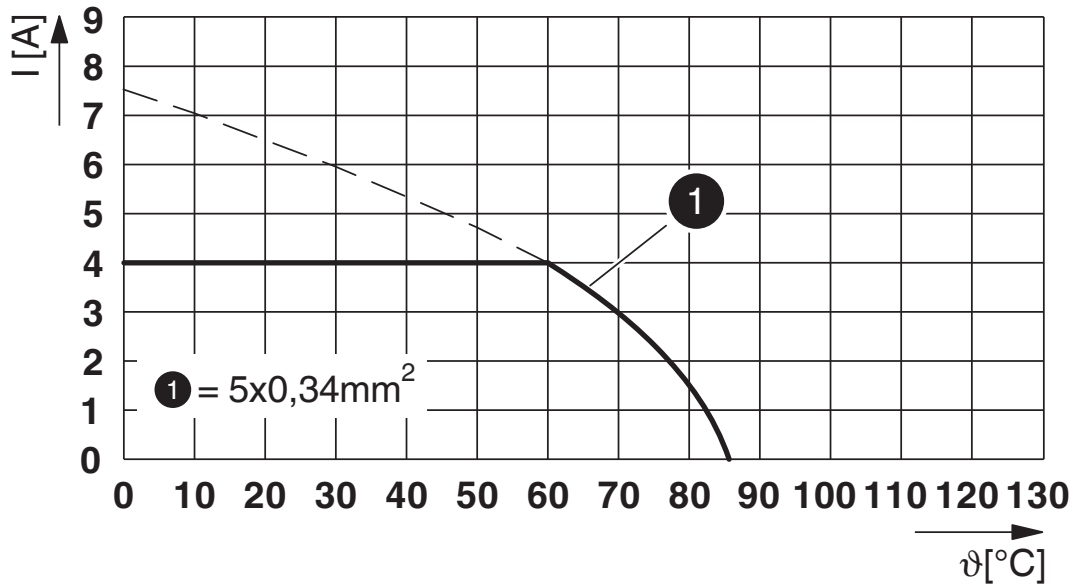
Bus system flat-type plug - SACCBP-M12MS-5CON-M16/0,5-920



1534423

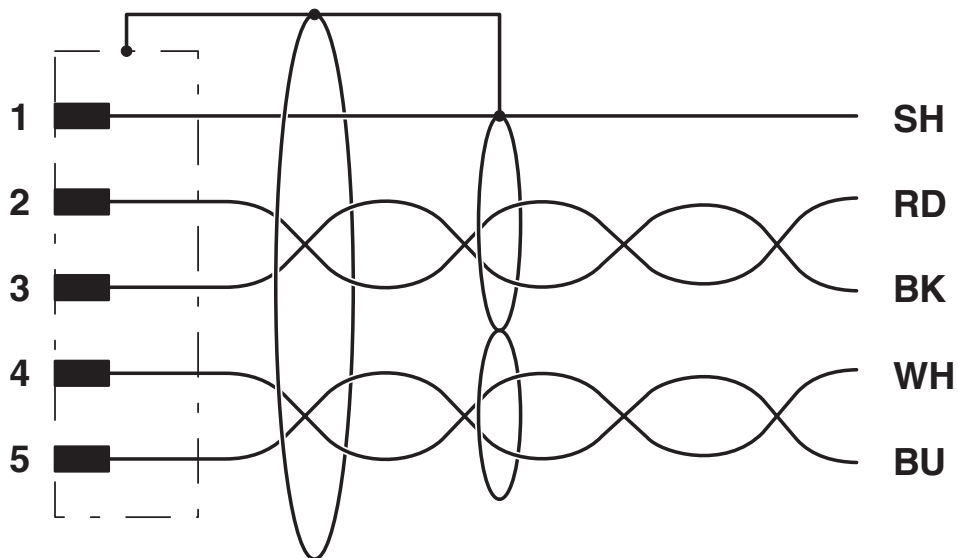
<https://www.phoenixcontact.com/pc/products/1534423>

Diagram



I = current strength, T = ambient temperature

Circuit diagram



Contact assignment of the M12 plug

Bus system flat-type plug - SACCBP-M12MS-5CON-M16/0,5-920



1534423

<https://www.phoenixcontact.com/pc/products/1534423>

Approvals



EAC

Approval ID: B.01687

Bus system flat-type plug - SACCBP-M12MS-5CON-M16/0,5-920



1534423

<https://www.phoenixcontact.com/pc/products/1534423>

Classifications

ECLASS

ECLASS-9.0	27440102
ECLASS-10.0.1	27440102
ECLASS-11.0	27440102

ETIM

ETIM 8.0	EC002635
----------	----------

UNSPSC

UNSPSC 21.0	39121400
-------------	----------

Bus system flat-type plug - SACCBP-M12MS-5CON-M16/0,5-920



1534423

<https://www.phoenixcontact.com/pc/products/1534423>

Environmental Product Compliance

REACH SVHC	Lead 7439-92-1
China RoHS	Environmentally Friendly Use Period = 50 years
	For information on hazardous substances, refer to the manufacturer's declaration available under "Downloads"

Bus system flat-type plug - SACCBP-M12MS-5CON-M16/0,5-920



1534423

<https://www.phoenixcontact.com/pc/products/1534423>

Accessories

EMV nut

EMV nut - SACC-M16-KD-NUT-SH - 1440164

<https://www.phoenixcontact.com/pc/products/1440164>

EMV nut M16 is required for shield contacting on coated housing surfaces.



Phoenix Contact 2022 © - all rights reserved
<https://www.phoenixcontact.com>

PHOENIX CONTACT GmbH & Co. KG
Flachmarktstraße 8
D-32825 Blomberg
+49 (0) 5235-3 00
info@phoenixcontact.com