

Industrial Ethernet Switch - FL SWITCH 1605 M12



2700200

<https://www.phoenixcontact.com/pc/products/2700200>

Please be informed that the data shown in this PDF document is generated from our Online Catalog. Please find the complete data in the user documentation. Our General Terms of Use for Downloads are valid.



Ethernet switch, 5 Ethernet ports on the front in M12 format, automatic detection of 10 or 100 Mbps data transmission rate, coupling of network segments with different transmission speeds, auto crossing function, IP67 protection

Product Description

Ethernet interface: The FL SWITCH 1605 M12 has five Ethernet ports on the front in M12 format, to which only CAT5/CAT6 Ethernet cables with D-coded M12 connectors can be connected. The data transmission speed is 10 Mbps or 100 Mbps. In addition, each port has an autocrossing function at 100 Mbps. It is not necessary to distinguish between 1:1 and crossover Ethernet cables. **Switching properties of the FL SWITCH 1605 M12 – Store and forward:** The switch independently learns the addresses for terminal devices, which are connected via a port, by evaluating the source addresses in the data telegrams. Only packets with unknown addresses, with a source address of this port or with a multicast/broadcast address in the destination address field are forwarded via the corresponding port. The switch can store up to 4096 addresses in its address table with an aging time of 40 seconds. This is important if more than one terminal device is connected to one or more ports. In this way, several independent subnets can be connected to one switch. **- Multi-address function:** The switch independently learns the addresses for terminal devices, which are connected via a port, by evaluating the source addresses in the data telegrams. Only packets with unknown addresses, with a source address of this port or with a multicast/broadcast address in the destination address field are forwarded via the corresponding port. The switch can store up to 4096 addresses in its address table with an aging time of 40 seconds. This is important if more than one terminal device is connected to one or more ports. In this way, several independent subnets can be connected to one switch. **- Quality of Service (QoS)** With the aid of the Quality of Service function, the switch can process PROFINET traffic preferentially. To do this, the switch detects the QoS priority from the Ethernet packets and forwards the Ethernet packets with higher priority first.

Your advantages

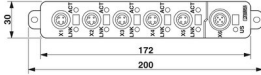
- Robust IP67 housing
- Easy panel mounting

Commercial Data

Item number	2700200
Packing unit	1 pc
Minimum order quantity	1 pc
Product Key	DNN114
Catalog Page	Page 300 (C-6-2019)
GTIN	4046356499781
Weight per Piece (including packing)	276 g
Weight per Piece (excluding packing)	220 g
Customs tariff number	85176200
Country of origin	DE

Technical Data

Dimensions

Dimensional drawing	
Width	30 mm
Height	200 mm
Depth	41 mm
Drill hole spacing	186 mm

Notes

General	NOTE: Meet noise immunity requirements Connect FE using a mounting screw when mounting on a conductive surface. When mounting on a non-conductive surface, FE is connected using the mounting screw via a cable lug.
---------	---

Material specifications

Color	anthracite
Material base plate	High-grade steel (1.4301/1.4016)
Housing material	PBT

Mounting

Mounting type	Wall mounting
---------------	---------------

Interfaces

Ethernet

Connection method	M12
Note on the connection method	D-coded
Transmission speed	10/100 Mbps
Transmission physics	Twisted pair connection
Transmission length	100 m (per segment)
Signal LEDs	Data receive, link status
No. of channels	5 (M12 ports)

Product properties

Type	Stand-Alone
Product type	Switch
MTTF	302.5 Years (SN 29500 standard, temperature 25°C, operating cycle 21%) 156.52 Years (SN 29500 standard, temperature 40°C, operating cycle 34.25%)

	40.43 Years (SN 29500 standard, temperature 55°C, operating cycle 100%)
--	---

Insulation characteristics

Protection class	III (IEC 61140, EN 61140, VDE 0140-1)
------------------	---------------------------------------

Switch functions

Basic functions	Unmanaged switch/auto negotiation, complies with standard IEEE 802.3, store-and-forward switching mode, 2 priority classes according to IEEE802.1p, PTCP filter
PROFINET conformance class	Conformance-Class A
Status and diagnostic indicators	LEDs: US (power supply), 2 LEDs per Ethernet port (Link and Activity)
Additional functions	Autonegotiation

Security functions

Basic functions	Unmanaged switch/auto negotiation, complies with standard IEEE 802.3, store-and-forward switching mode, 2 priority classes according to IEEE802.1p, PTCP filter
-----------------	---

Electrical properties

Local diagnostics	US Supply voltage US Green LED
	X1...X5 Link status Green LED
	X1...X5 Receiving/sending telegrams Green LED
Maximum power dissipation for nominal condition	0.96 W
Test section	Between the Ethernet ports 1500 V AC 1 min.
	24 V supply (US) / FE 500 V DC 1 min.
Transmission medium	Copper

Supply

Supply voltage (DC)	24 V DC (M12 connector)
Supply voltage range	9 V DC ... 32 V DC
Power supply connection	via M12 connector
Residual ripple	3.6 V _{PP}
Max. current consumption	40 mA (+10 mA per port)
Typical current consumption	40 mA (at U _S = 24 V DC)
Current consumption	40 mA ... 80 mA (at 24 V DC)

Ambient conditions

Degree of protection	IP65
	IP66
	IP67
Ambient temperature (operation)	-40 °C ... 70 °C
Ambient temperature (storage/transport)	-40 °C ... 70 °C
Permissible humidity (operation)	10 % ... 95 %
Permissible humidity (storage/transport)	10 % ... 95 % (non-condensing)
Air pressure (operation)	86 kPa ... 108 kPa (2000 m above sea level)
Air pressure (storage/transport)	66 kPa ... 108 kPa (3500 m above sea level)

2700200

<https://www.phoenixcontact.com/pc/products/2700200>

EMC data

Conformance with EMC directives	Noise emission test in accordance with EN 61000-6-3/IEC 61000-6-3 EN 61000-6-3 (noise emission) Class B
	EN 55011 (emitted interference) Class B
	EN 55022 (emitted interference) Class B
	EN 61000-4-2 (ESD) Criterion B
	EN 61000-4-3 (electromagnetic fields) Criterion A, 20 V/m
	EN 61000-4-3 (electromagnetic fields) Criterion A, 10 V/m
	EN 61000-4-4 Criterion A, 2.2 kV
	EN 61000-4-5 (surge) Criterion A, interfaces 1 kV
	EN 61000-4-6 (line noise immunity) Criterion A, Field intensity: 10 V/m
	EN 60950-1
Electromagnetic compatibility	Conformance with EMC Directive 2014/30/EU
Noise emission	EN 61000-6-4
Noise immunity	EN 61000-6-2

LED signaling

Status display	LEDs: US (power supply), 2 LEDs per Ethernet port (Link and Activity)
----------------	---

Industrial Ethernet Switch - FL SWITCH 1605 M12

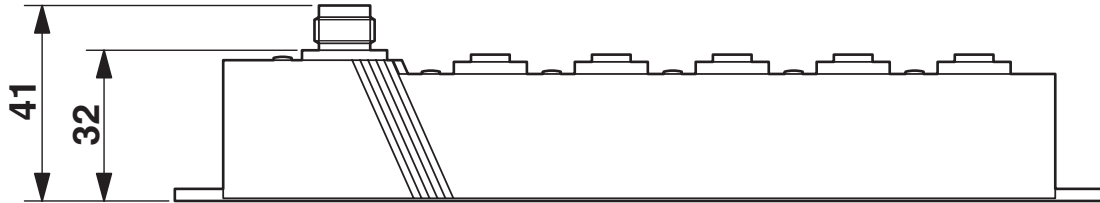


2700200

<https://www.phoenixcontact.com/pc/products/2700200>

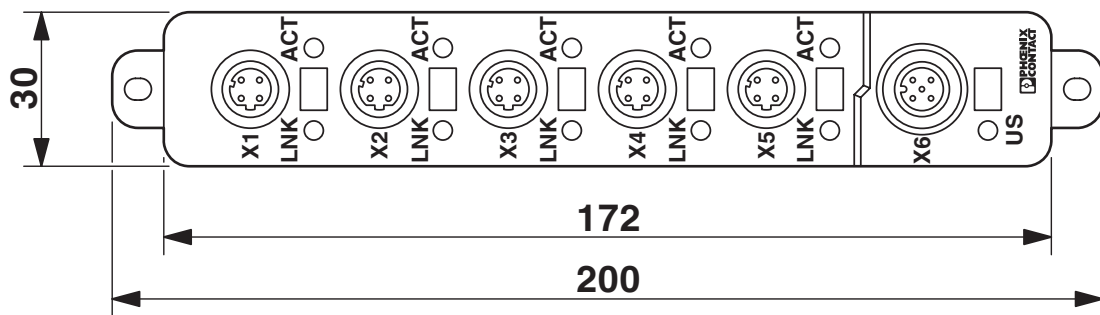
Drawings

Dimensional drawing



Side view (dimensions in mm)

Dimensional drawing



Top view (dimensions in mm)

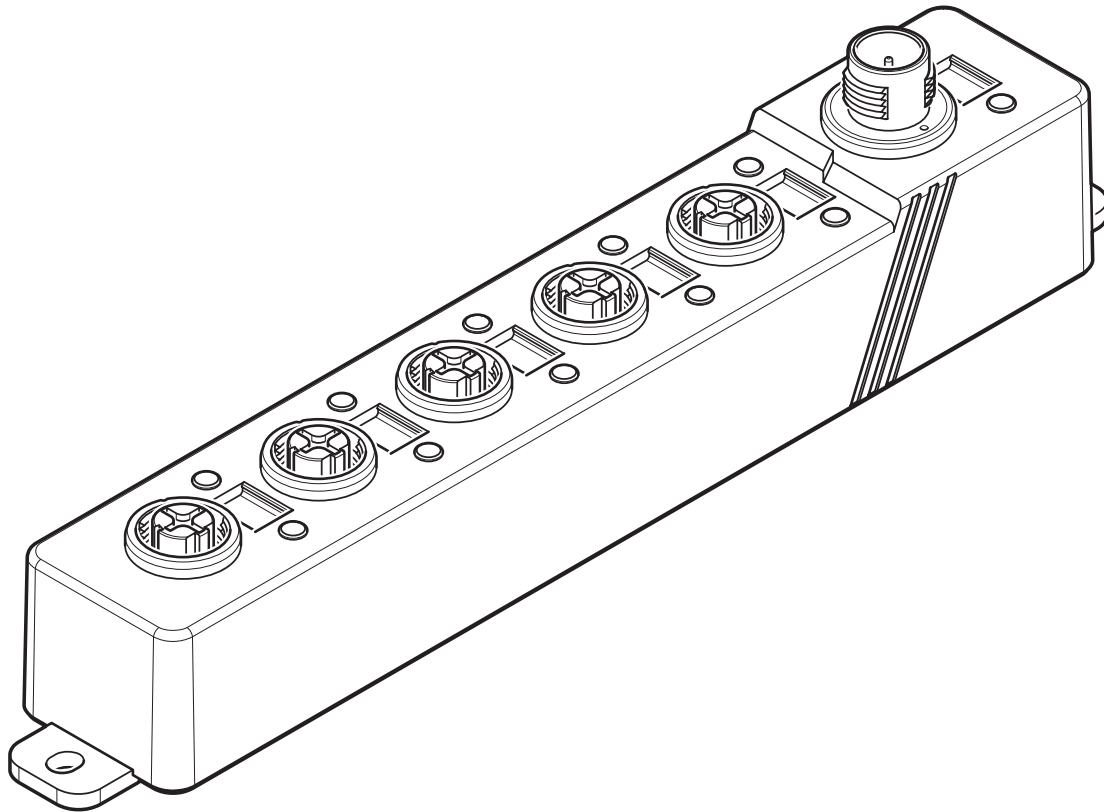
Industrial Ethernet Switch - FL SWITCH 1605 M12



2700200

<https://www.phoenixcontact.com/pc/products/2700200>

Product drawing

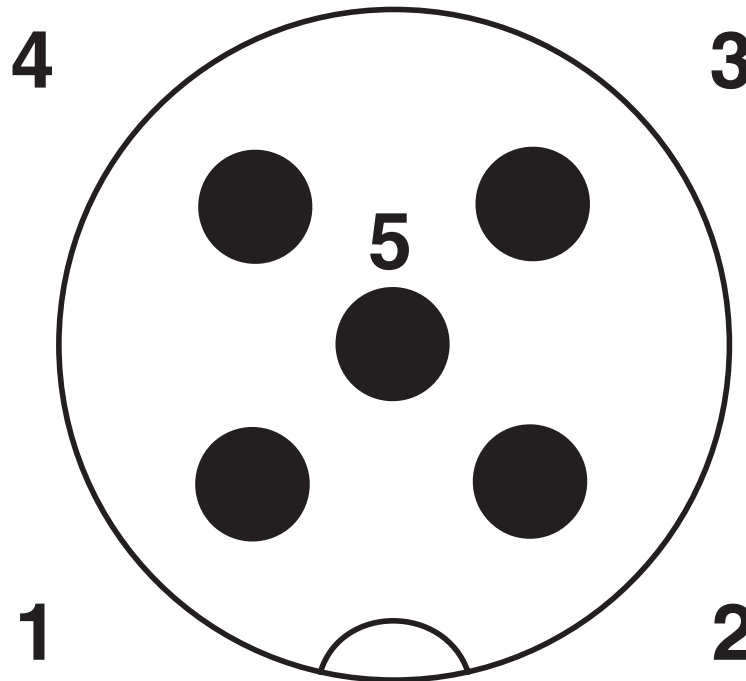


Industrial Ethernet Switch - FL SWITCH 1605 M12

2700200

<https://www.phoenixcontact.com/pc/products/2700200>

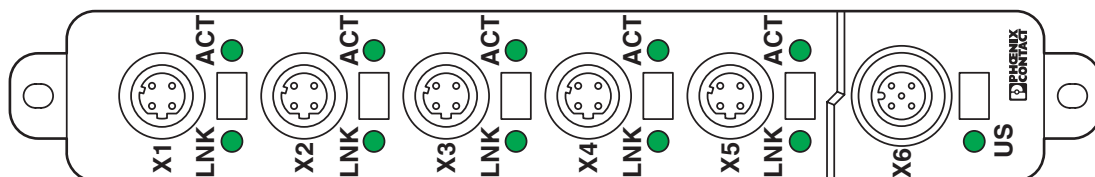
Schematic diagram



Connecting the supply voltage

- PIN 1 Us
- PIN 2 n.c.
- Pin 3 GND
- Pin 4 n.c.
- Pin 5 functional ground

Product drawing

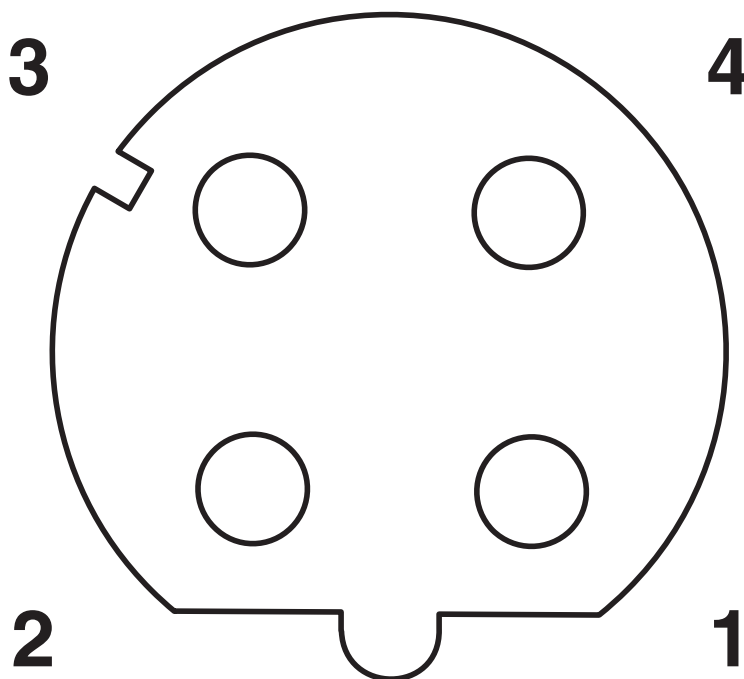


- X1 - X5: Ethernet connection
- X6: Supply voltage
- ACT: ACT LEDs
- LNK: Link LED
- US: U_{S1} LED

2700200

<https://www.phoenixcontact.com/pc/products/2700200>

Schematic diagram



Assignment of the LAN socket

- Pin 1 Transmit +
- Pin 2 Receive +
- Pin 3 Transmit -
- Pin 4 Receive -

Industrial Ethernet Switch - FL SWITCH 1605 M12



2700200

<https://www.phoenixcontact.com/pc/products/2700200>

Approvals



cUL Recognized

Approval ID: FILE E 140324



UL Recognized

Approval ID: FILE E 140324



EAC

Approval ID: RU*-DE.*.B.00741/19

cULus Recognized

Industrial Ethernet Switch - FL SWITCH 1605 M12



2700200

<https://www.phoenixcontact.com/pc/products/2700200>

Classifications

ECLASS

ECLASS-9.0	19170106
ECLASS-10.0.1	19170402
ECLASS-11.0	19170402

ETIM

ETIM 8.0	EC000734
----------	----------

UNSPSC

UNSPSC 21.0	43222600
-------------	----------

Industrial Ethernet Switch - FL SWITCH 1605 M12



2700200

<https://www.phoenixcontact.com/pc/products/2700200>

Environmental Product Compliance

REACH SVHC	Lead 7439-92-1
China RoHS	Environmentally Friendly Use Period = 50 years
	For information on hazardous substances, refer to the manufacturer's declaration available under "Downloads"

Industrial Ethernet Switch - FL SWITCH 1605 M12



2700200

<https://www.phoenixcontact.com/pc/products/2700200>

Accessories

Network cable

Network cable - NBC-MSD SCO/.../... - 1408713

<https://www.phoenixcontact.com/pc/products/1408713>



Network cable, Ethernet CAT5 (100 Mbps), 4-position, shielded, Plug straight M12 SPEEDCON / IP67, coding: D, on free cable end, cable length: Free input (0.2 ... 40.0 m)

Network cable

Network cable - NBC-MSD-MSD SCO/.../... - 1408706

<https://www.phoenixcontact.com/pc/products/1408706>



Network cable, Ethernet CAT5 (100 Mbps), 4-position, shielded, Plug straight M12 SPEEDCON / IP67, coding: D, on Plug straight M12 SPEEDCON / IP67, coding: D, cable length: Free input (0.2 ... 40.0 m)

Industrial Ethernet Switch - FL SWITCH 1605 M12



2700200

<https://www.phoenixcontact.com/pc/products/2700200>

Network cable

Network cable - NBC-MSD-MRD SCO/.../... - 1408700

<https://www.phoenixcontact.com/pc/products/1408700>



Network cable, Ethernet CAT5 (100 Mbps), 4-position, shielded, Plug straight M12 SPEEDCON / IP67, coding: D, on Plug angled M12 SPEEDCON / IP67, coding: D, cable length: Free input (0.2 ... 40.0 m)

Network cable

Network cable - NBC-MSD-R4AC SCO/.../... - 1408712

<https://www.phoenixcontact.com/pc/products/1408712>



Network cable, Ethernet CAT5 (100 Mbps), 4-position, Variable cable type, shielded, Plug straight M12 SPEEDCON / IP67, coding: D, on Plug straight RJ45 / IP20, cable length: Free input (0.2 ... 40.0 m)

Industrial Ethernet Switch - FL SWITCH 1605 M12



2700200

<https://www.phoenixcontact.com/pc/products/2700200>

Control cabinet feed-through

Control cabinet feed-through - CUC-BH-M12D1PBK-A/R4BE - 1414397

<https://www.phoenixcontact.com/pc/products/1414397>



Control cabinet feed-through, M12, 4-pos., D-coded to RJ45 socket, socket entry: 90°, IP65/IP67

Data connector

Data connector - SACC-M12MSD-4QO SH PN - 1411068

<https://www.phoenixcontact.com/pc/products/1411068>



Data connector, PROFINET CAT5 (100 Mbps), 4-position, halogen-free, shielded, Plug straight M12 SPEEDCON, D-coded, Insulation displacement connection, knurl material: Zinc die-cast, nickel-plated, external cable diameter 5 mm ... 9.7 mm

Industrial Ethernet Switch - FL SWITCH 1605 M12



2700200

<https://www.phoenixcontact.com/pc/products/2700200>

Data connector

Data connector - SACC-M12MRD-4Q SH - 1553624

<https://www.phoenixcontact.com/pc/products/1553624>



Data connector, Ethernet CAT5 (100 Mbps), 4-position, shielded, Plug angled M12, D-coded, Insulation displacement connection, knurl material: Nickel-plated brass, external cable diameter 4 mm ... 8 mm

Sensor/actuator cable

Sensor/actuator cable - SAC-5P-FS SCO/.../... - 1536489

<https://www.phoenixcontact.com/pc/products/1536489>



Sensor/actuator cable, 5-position, Variable cable type, free cable end, on Socket straight M12 SPEEDCON, coding: A, cable length: Free input (0.2 ... 40.0 m)

Industrial Ethernet Switch - FL SWITCH 1605 M12

2700200

<https://www.phoenixcontact.com/pc/products/2700200>

Sensor/actuator cable

Sensor/actuator cable - SAC-5P-M12FR/.../... - 1697124

<https://www.phoenixcontact.com/pc/products/1697124>



Sensor/actuator cable, 5-position, Variable cable type, free cable end, on Socket angled M12, coding: A, cable length: Free input (0.2 ... 40.0 m)

Sensor/actuator cable

Sensor/actuator cable - SAC-5P-MS-FS SCO/.../... - 1523625

<https://www.phoenixcontact.com/pc/products/1523625>



Sensor/actuator cable, 5-position, Variable cable type, Plug straight M12 SPEEDCON, coding: A, on Socket straight M12 SPEEDCON, coding: A, cable length: Free input (0.2 ... 40.0 m)

Industrial Ethernet Switch - FL SWITCH 1605 M12



2700200

<https://www.phoenixcontact.com/pc/products/2700200>

Y distributor

Y distributor - SAC-5PY-F/M-F VP SH - 1419933

<https://www.phoenixcontact.com/pc/products/1419933>



Y distributor, 5-position, shielded, Socket straight M12 SPEEDCON, coding: A, on Socket straight M12 SPEEDCON, coding: A and Plug straight M12 SPEEDCON, coding: A, Parallel distributor

Connector

Connector - SACC-M12MS-5PL M - 1424649

<https://www.phoenixcontact.com/pc/products/1424649>



Connector, Universal, 5-position, unshielded, Plug straight M12, A-coded, Push-lock spring connection, knurl material: Zinc die-cast, nickel-plated, external cable diameter 4 mm ... 8 mm

Industrial Ethernet Switch - FL SWITCH 1605 M12



2700200

<https://www.phoenixcontact.com/pc/products/2700200>

Connector

Connector - SACC-M12MR-5PL M - 1424651

<https://www.phoenixcontact.com/pc/products/1424651>

Connector, Universal, 5-position, unshielded, Plug angled M12, A-coded, Push-lock spring connection, knurl material: Zinc die-cast, nickel-plated, external cable diameter 4 mm ... 8 mm



Screw plug

Screw plug - PROT-M12 - 1680539

<https://www.phoenixcontact.com/pc/products/1680539>

An M12 screw plug for the unoccupied M12 sockets of the sensor/actuator cable, boxes and flush-type connectors



Industrial Ethernet Switch - FL SWITCH 1605 M12



2700200

<https://www.phoenixcontact.com/pc/products/2700200>

Zack Marker strip, flat

Zack Marker strip, flat - ZBF 8:UNBEDRUCKT - 0808781

<https://www.phoenixcontact.com/pc/products/0808781>



Zack Marker strip, flat, Strip, white, unlabeled, can be labeled with: PLOTMARK, CMS-P1-PLOTTER, mounting type: snapped, for terminal block width: 8 mm, lettering field size: 5.15 x 8.15 mm, Number of individual labels: 10

Phoenix Contact 2022 © - all rights reserved

<https://www.phoenixcontact.com>

PHOENIX CONTACT GmbH & Co. KG

Flachsmarktstraße 8

D-32825 Blomberg

+49 (0) 5235-3 00

info@phoenixcontact.com