

# Current transformer - PACT MCR-V2-6015- 85- 800-5A-1



2277941

<https://www.phoenixcontact.com/pc/products/2277941>

Please be informed that the data shown in this PDF document is generated from our Online Catalog. Please find the complete data in the user documentation. Our General Terms of Use for Downloads are valid.

---



Window-type current transformer, 800 A AC primary current; 5 A AC secondary current; accuracy class 1; 10 VA rated power

---

# Current transformer - PACT MCR-V2-6015- 85- 800-5A-1



2277941

<https://www.phoenixcontact.com/pc/products/2277941>

## Commercial Data

Item number	2277941
Packing unit	1 pc
Minimum order quantity	1 pc
Product Key	CK4A11
Catalog Page	Page 215 (C-5-2019)
GTIN	4046356502511
Weight per Piece (including packing)	349.2 g
Weight per Piece (excluding packing)	327.3 g
Customs tariff number	85043129
Country of origin	DE

# Current transformer - PACT MCR-V2-6015- 85- 800-5A-1



2277941

<https://www.phoenixcontact.com/pc/products/2277941>

## Technical Data

### Product properties

Product type	Current transformer
--------------	---------------------

### Electrical properties

Rated insulation voltage	1 kV (Phase/neutral conductor)
--------------------------	--------------------------------

### General

Can be calibrated	no
Converter type	Plug-on converters

### Input data

#### Current transformers

Rated power	10 VA
Thermal rated short-time current	$I_{th} = 60 * I_n$
Thermal rated continuous current	$I_d = 1.2 * I_n$
Rated surge current	$I_{dyn} = 2.5 * I_{th}$
Primary rated current $I_{pn}$	0 A AC ... 800 A AC
Primary rated current range	1 A AC ... 4000 A AC (depends on type)
Can be calibrated	no
Converter type	Plug-on converters

### Output data

#### Signal

Designation	Current output
Secondary rated current $I_{sn}$	5 A AC
Surge current limitation factor	FS 5
Accuracy class	1

### Connection data

Connection method	Screw connection
Conductor cross section flexible	2x 2.5 mm <sup>2</sup> ... 4 mm <sup>2</sup> (Secondary terminals)

### Dimensions

Dimensional drawing	
Width	30 mm
Height	108 mm
Depth	85 mm

# Current transformer - PACT MCR-V2-6015- 85- 800-5A-1



2277941

<https://www.phoenixcontact.com/pc/products/2277941>

Primary round conductor (diameter)	52 mm
------------------------------------	-------

## Alternative assembly

Width	85 mm
Height	108 mm
Depth	30 mm

## Material specifications

Housing material	PA 6.6
------------------	--------

## Environmental and real-life conditions

### Ambient conditions

Ambient temperature (operation)	-25 °C ... 40 °C
Ambient temperature (storage/transport)	-25 °C ... 40 °C
Altitude	≤ 1000 m
Permissible humidity (operation)	Use only indoors, non-condensing

## Approval data

### UL, USA / Canada

Identification	XODW8.E323953
----------------	---------------

## Standards and regulations

Standards/regulations	EN 61869
-----------------------	----------

## Mounting

Mounting type	DIN rail mounting
---------------	-------------------

# Current transformer - PACT MCR-V2-6015- 85- 800-5A-1

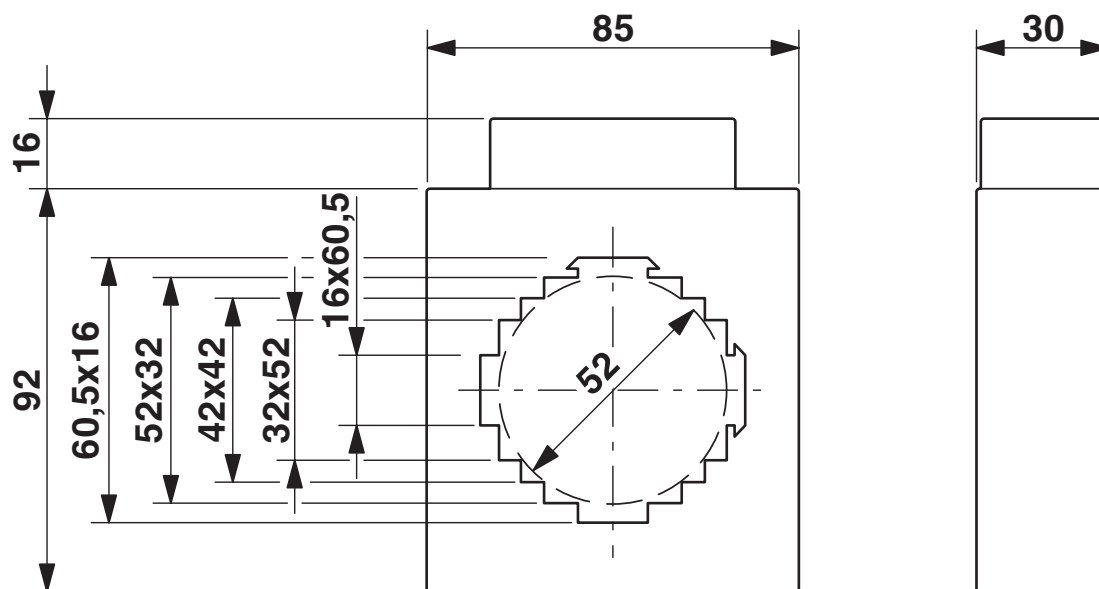


2277941

<https://www.phoenixcontact.com/pc/products/2277941>

## Drawings

Dimensional drawing



# Current transformer - PACT MCR-V2-6015- 85- 800-5A-1



2277941

<https://www.phoenixcontact.com/pc/products/2277941>

## Approvals



**EAC**

Approval ID: RU\*DE\*08.B.01187/19



**EAC**

Approval ID: RU\*DE\*08.B.01187/19

# Current transformer - PACT MCR-V2-6015- 85- 800-5A-1



2277941

<https://www.phoenixcontact.com/pc/products/2277941>

## Classifications

### ECLASS

ECLASS-9.0	27210902
ECLASS-10.0.1	27210902
ECLASS-11.0	27210902

### ETIM

ETIM 8.0	EC002048
----------	----------

### UNSPSC

UNSPSC 21.0	39121000
-------------	----------

# Current transformer - PACT MCR-V2-6015- 85- 800-5A-1



2277941

<https://www.phoenixcontact.com/pc/products/2277941>

## Environmental Product Compliance

China RoHS	Environmentally Friendly Use Period = 50 years For information on hazardous substances, refer to the manufacturer's declaration available under "Downloads"
------------	--



# Current transformer - PACT MCR-V2-6015- 85- 800-5A-1



2277941

<https://www.phoenixcontact.com/pc/products/2277941>

## Accessories

### Mounting material

Mounting material - PACT-FAST-MNT-W16-L65 - 2276641

<https://www.phoenixcontact.com/pc/products/2276641>



The transformer quick-action mechanism enables the lightning-fast mounting of PACT current transformers on the power rail. The installation can be completed easily by hand without the use of tools. Fixing pins: 65 mm, holding latches: 16 mm

---

### Mounting material

Mounting material - PACT-FAST-MNT-W16-L40 - 2276638

<https://www.phoenixcontact.com/pc/products/2276638>



The transformer quick-action mechanism enables the lightning-fast mounting of PACT current transformers on the power rail. The installation can be completed easily by hand without the use of tools. Fixing pins: 40 mm, holding latches: 16 mm

---

Phoenix Contact 2022 © - all rights reserved

<https://www.phoenixcontact.com>

PHOENIX CONTACT GmbH & Co. KG

Flachsmarktstraße 8

D-32825 Blomberg

+49 (0) 5235-3 00

[info@phoenixcontact.com](mailto:info@phoenixcontact.com)