

Cable gland - HC-B-G-M40-EC-AL



1411441

<https://www.phoenixcontact.com/pc/products/1411441>

Please be informed that the data shown in this PDF document is generated from our Online Catalog. Please find the complete data in the user documentation. Our General Terms of Use for Downloads are valid.

EVO EMC cable gland with bayonet locking, B series, size M40, cable diameter: 19 - 27 mm



Cable gland - HC-B-G-M40-EC-AL



1411441

<https://www.phoenixcontact.com/pc/products/1411441>

Commercial Data

Item number	1411441
Packing unit	1 pc
Minimum order quantity	1 pc
Product Key	BF7APM
Catalog Page	Page 605 (C-2-2019)
GTIN	4046356932400
Weight per Piece (including packing)	139.9 g
Weight per Piece (excluding packing)	135 g
Customs tariff number	85389099
Country of origin	DE

Cable gland - HC-B-G-M40-EC-AL

1411441

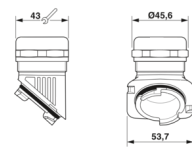
<https://www.phoenixcontact.com/pc/products/1411441>

Technical Data

Product properties

Product type	Cable gland with bayonet locking
No. of conductors	1
Type of the screw connection	M40
Shielded	yes

Dimensions

Dimensional drawing	
Width	54.2 mm
Height	722.4 mm
Depth	62 mm
Wrench size, union nut	43 mm

Material specifications

Color	silver
Material	Die-cast aluminum, corrosion-resistant
Sealing material	NBR (O-ring) NBR ()
Material, pressure screw	Nickel-plated brass
Cable seal material	NBR
Cable gland material	Aluminum
Housing material	Die-cast aluminum, corrosion resistant

Connector

Material	Die-cast aluminum, corrosion-resistant
Housing material	Die-cast aluminum, corrosion resistant
Material	Die-cast aluminum, corrosion-resistant

Cable / line

Cable structure	
External cable diameter	19 mm ... 27 mm
Master cable data/connection data	
Tightening torque, union nut	10.00 Nm

Mechanical properties

Mechanical data	
-----------------	--

Cable gland - HC-B-G-M40-EC-AL



1411441

<https://www.phoenixcontact.com/pc/products/1411441>

Type of the screw connection	M40
------------------------------	-----

Environmental and real-life conditions

Ambient conditions

Degree of protection	IP66
	IP67
Degree of protection	4 (UL 50e)
	4X (UL 50e)
	12 (UL 50e)
Ambient temperature (operation)	-40 °C ... 125 °C (static)

Cable gland - HC-B-G-M40-EC-AL

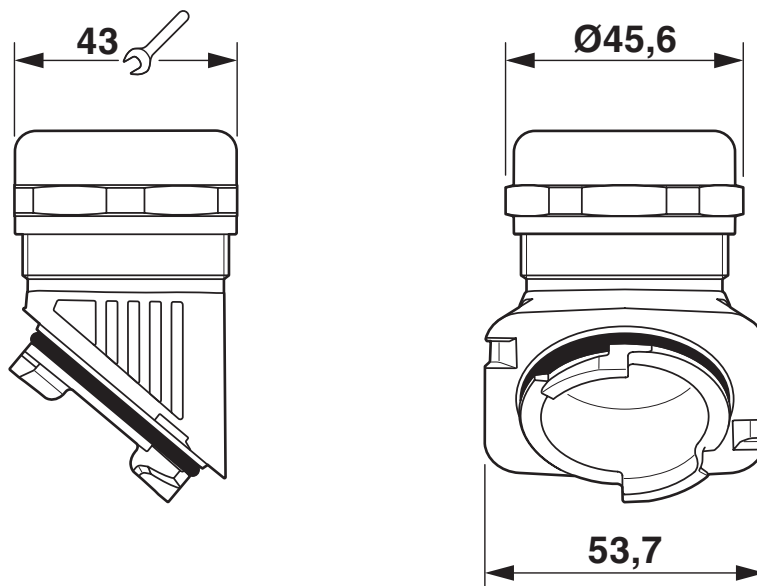
1411441

<https://www.phoenixcontact.com/pc/products/1411441>



Drawings

Dimensional drawing



Dimensional drawing

Cable gland - HC-B-G-M40-EC-AL



1411441

<https://www.phoenixcontact.com/pc/products/1411441>

Approvals



cUL Recognized

Approval ID: E255026



UL Recognized

Approval ID: E255026



EAC

Approval ID: RU C-DE.AI30.B.01102



EAC

Approval ID: RU D-DE.HB35.B.00387

cULus Recognized

Cable gland - HC-B-G-M40-EC-AL



1411441

<https://www.phoenixcontact.com/pc/products/1411441>

Classifications

ECLASS

ECLASS-9.0	27144432
ECLASS-10.0.1	27144432
ECLASS-11.0	27144432

ETIM

ETIM 8.0	EC000441
----------	----------

UNSPSC

UNSPSC 21.0	39121300
-------------	----------

Cable gland - HC-B-G-M40-EC-AL



1411441

<https://www.phoenixcontact.com/pc/products/1411441>

Environmental Product Compliance

REACH SVHC	Lead 7439-92-1
China RoHS	Environmentally Friendly Use Period = 50 years
	For information on hazardous substances, refer to the manufacturer's declaration available under "Downloads"

Phoenix Contact 2022 © - all rights reserved
<https://www.phoenixcontact.com>

PHOENIX CONTACT GmbH & Co. KG
Flachsmarktstraße 8
D-32825 Blomberg
+49 (0) 5235-3 00
info@phoenixcontact.com