

Cable feed-through plates - MC-3/7-MULTI-67-PVO-BK



1415235

<https://www.phoenixcontact.com/pc/products/1415235>

Please be informed that the data shown in this PDF document is generated from our Online Catalog. Please find the complete data in the user documentation. Our General Terms of Use for Downloads are valid.



Cable feed-through plates, no. of conductors: 7, length: 222 mm, width: 92 mm, height: 43 mm, external cable diameter: 1x 30 mm ... 60 mm

Your advantages

- Oil-resistant according to UL 157

Cable feed-through plates - MC-3/7-MULTI-67-PVO-BK



1415235

<https://www.phoenixcontact.com/pc/products/1415235>

Commercial Data

Item number	1415235
Packing unit	1 pc
Minimum order quantity	1 pc
Product Key	BF7CAX
Catalog Page	Page 683 (C-2-2019)
GTIN	4055626039411
Weight per Piece (including packing)	287.3 g
Weight per Piece (excluding packing)	278.9 g
Customs tariff number	39269097
Country of origin	FI

Cable feed-through plates - MC-3/7-MULTI-67-PVO-BK



1415235

<https://www.phoenixcontact.com/pc/products/1415235>

Technical Data

Notes

General	incl. mounting screws
General	2 mm thick coated, galvanized sheet steel

Product properties

Product type	Cable feed-through
No. of conductors	7

Dimensions

Dimensional drawing	
Width	92 mm
Height	43 mm
Length	222 mm
Drill hole distance, horizontal	62 mm
Drill hole distance, vertical	194 mm
Hole diameter	8.5 mm

Material specifications

Color	black
Material	galvanized sheet steel (Core) TPE-SEBS (external material)
Flammability rating according to UL 94	V0

Cable / line

Cable structure	
External cable diameter	1x 30 mm ... 60 mm 4x 8 mm ... 16 mm 2x 24 mm ... 54 mm

Environmental and real-life conditions

Ambient conditions	
Degree of protection	IP66 (Minimum sheet thickness \geq 2.5 mm) IP67 (Minimum sheet thickness \geq 2.5 mm)
Ambient temperature (operation)	-40 °C ... 100 °C

Cable feed-through plates - MC-3/7-MULTI-67-PVO-BK



1415235

<https://www.phoenixcontact.com/pc/products/1415235>

Mounting

Assembly instructions	<p>M8 mounting screw, torque: 1.5 - 2.0 Nm, SW5 Allen key</p> <p>The mounting screws included should be used for assembly.</p> <p>Assembly steps:</p> <ol style="list-style-type: none">1) Fix Multigates with the mounting screws provided (observe torque)2) Make a hole in the membrane (with a screwdriver) or cut off the tip of the cone3) Guide the cable through the opening (from the outside). Withdraw the cable approximately 20 mm (to improve strain relief).
-----------------------	---

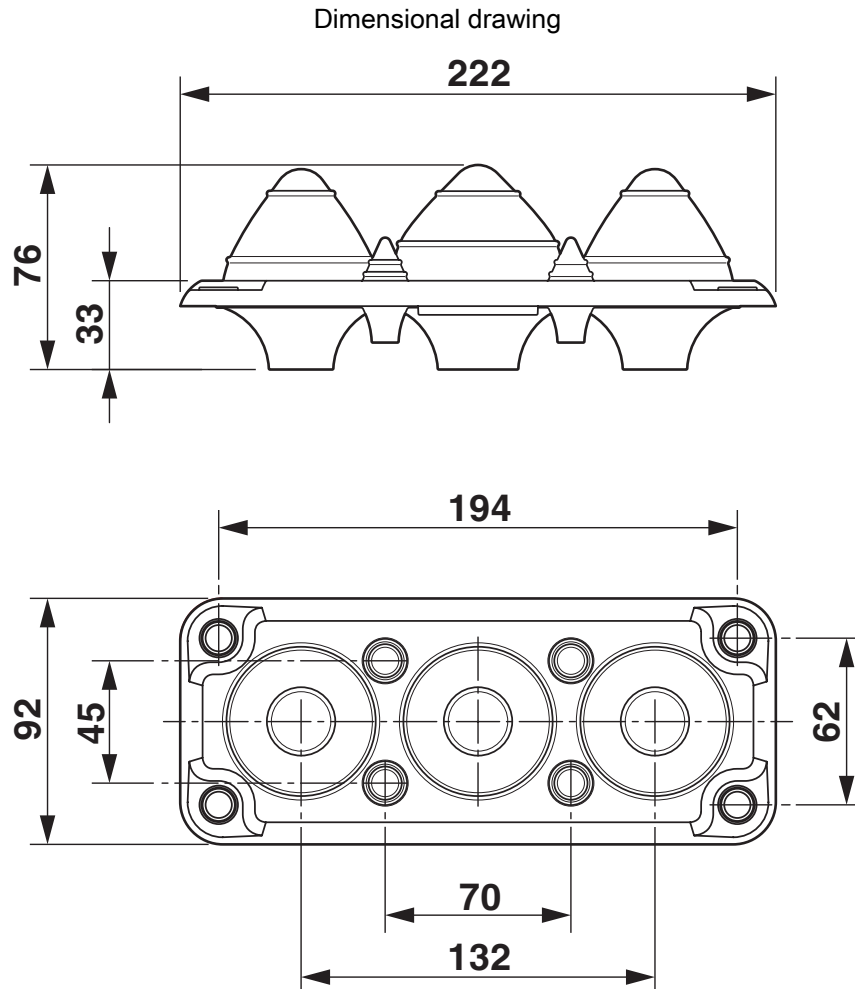
Cable feed-through plates - MC-3/7-MULTI-67-PVO-BK



1415235

<https://www.phoenixcontact.com/pc/products/1415235>

Drawings



Dimensional drawing

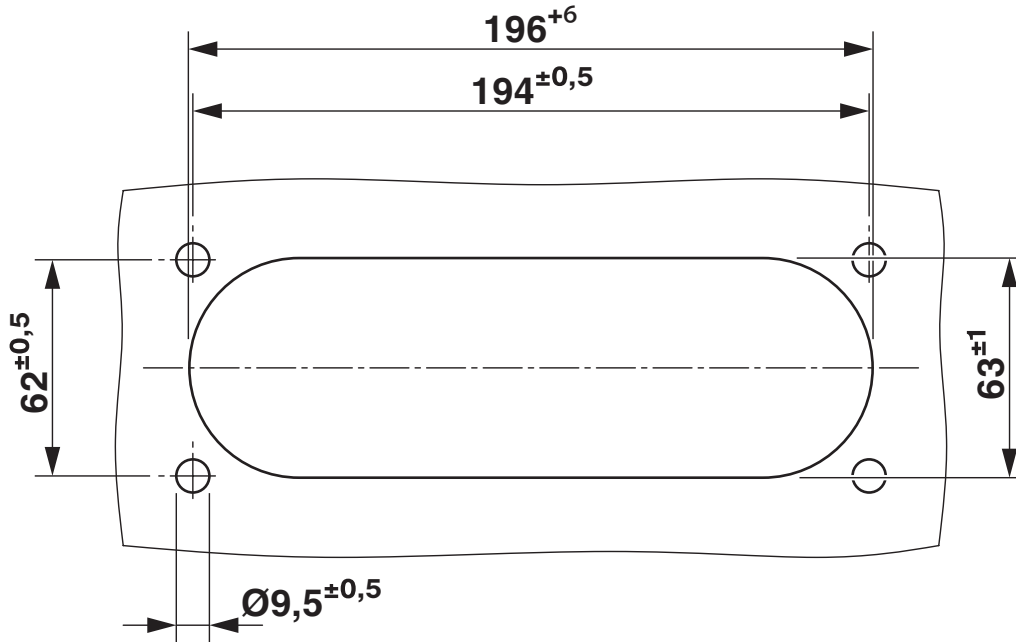
Cable feed-through plates - MC-3/7-MULTI-67-PVO-BK



1415235

<https://www.phoenixcontact.com/pc/products/1415235>

Dimensional drawing



Wall cutout drawing

Cable feed-through plates - MC-3/7-MULTI-67-PVO-BK



1415235

<https://www.phoenixcontact.com/pc/products/1415235>

Approvals



EAC

Approval ID: RU D-DE.HB35.B.00387

Cable feed-through plates - MC-3/7-MULTI-67-PVO-BK



1415235

<https://www.phoenixcontact.com/pc/products/1415235>

Classifications

ECLASS

ECLASS-9.0	27400569
ECLASS-10.0.1	27400569
ECLASS-11.0	27400569

ETIM

ETIM 8.0	EC001004
----------	----------

UNSPSC

UNSPSC 21.0	31163000
-------------	----------

Cable feed-through plates - MC-3/7-MULTI-67-PVO-BK



1415235

<https://www.phoenixcontact.com/pc/products/1415235>

Environmental Product Compliance

China RoHS	Environmentally friendly use period: unlimited = EFUP-e No hazardous substances above threshold values
------------	---

Phoenix Contact 2022 © - all rights reserved
<https://www.phoenixcontact.com>

PHOENIX CONTACT GmbH & Co. KG
Flachmarktstraße 8
D-32825 Blomberg
+49 (0) 5235-3 00
info@phoenixcontact.com