

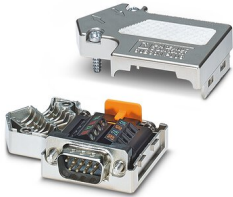
D-SUB bus connector - SUBCON-PLUS-PROFIB/SC2



2708232

<https://www.phoenixcontact.com/pc/products/2708232>

Please be informed that the data shown in this PDF document is generated from our Online Catalog. Please find the complete data in the user documentation. Our General Terms of Use for Downloads are valid.



D-SUB connector, 9-pos., male connector, 35° cable entry, bus system: PROFIBUS DP up to 12 Mbps, termination resistor can be switched on via slide switch, pin assignment: 3, 5, 6, 8; screw connection terminal blocks

Product Description

The D-SUB series, **SUBCON-PLUS-PROFIB/...** was specially designed for use in PROFIBUS systems up to 12 Mbps. Under field conditions, it allows convenient and fast connection of the incoming and outgoing bus cable. The terminating resistor is already integrated in all versions. It can be connected externally by means of a slide switch. At the same time, the outgoing bus segment is switched off. This makes it easy to start up segment by segment while incorrect terminations are avoided. A special feature of the 35° angled connector is that the internal connection unit can be turned round. Whether the cable is to be inserted from the right or left can thus be decided on-site.

Your advantages

- Termination resistor can be connected
- Screw connection
- Cable entry under 35°
- Change to the D-SUB orientation through a reversible connection block
- Metal housing for high level of immunity to interference at maximum transmission speed
- Vibration and shock resistance according to EN 50155
- Suitable for all common Fast Connect PROFIBUS cables and RS-485 bus lines

D-SUB bus connector - SUBCON-PLUS-PROFIB/SC2



2708232

<https://www.phoenixcontact.com/pc/products/2708232>

Commercial Data

Item number	2708232
Packing unit	1 pc
Minimum order quantity	1 pc
Note	Made to Order (non-returnable)
Sales Key	07
Product Key	DNC531
Catalog Page	Page 446 (C-6-2019)
GTIN	4017918960483
Weight per Piece (including packing)	50.6 g
Weight per Piece (excluding packing)	49.7 g
Customs tariff number	85366990
Country of origin	DE

Technical Data

Notes

Utilization restriction

CCCex note	Use in potentially explosive areas is not permitted in China.
------------	---

Product properties

Product type	Data plug
MTTF	6706 Years (SN 29500 standard, temperature 25°C, operating cycle 21%)
	1817 Years (SN 29500 standard, temperature 40°C, operating cycle 34.25%)
	155 Years (SN 29500 standard, temperature 40°C, operating cycle 100%)
Pin assignment	3, 5, 6, 8

Electrical properties

Maximum power dissipation for nominal condition	0.025 W
Nominal voltage U_N	5 V
Nominal current I_N	100 mA
Transmission medium	Copper

Connection data

D-SUB connection

Connection method	D-SUB connector
-------------------	-----------------

D-SUB connection

Connection method	Screw connection
Stripping length	5 mm
Conductor cross section solid min.	0.14 mm ²
Conductor cross section solid max.	1.5 mm ²
Conductor cross section flexible min.	0.14 mm ²
Conductor cross section flexible max.	1 mm ²
Conductor cross section AWG min.	26
Conductor cross section AWG max.	16

Interfaces

Bus system	PROFIBUS DP
Signal	PROFIBUS

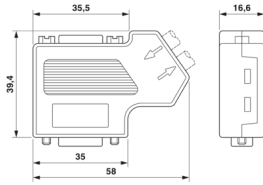
Dimensions

D-SUB bus connector - SUBCON-PLUS-PROFIB/SC2



2708232

<https://www.phoenixcontact.com/pc/products/2708232>

Dimensional drawing	
Width	16.6 mm
Height	39.4 mm
Length	58 mm

External dimensions

External diameter min.	7.6 mm
External diameter max.	8.4 mm

Material specifications

Housing material	ABS, metal-plated
------------------	-------------------

Connector

Insertion/withdrawal cycles	> 200
Insertion/withdrawal cycles	> 200
Housing material	ABS, metal-plated
Insertion/withdrawal cycles	> 200

Environmental and real-life conditions

Ambient conditions

Degree of protection	IP40
Ambient temperature (operation)	-20 °C ... 75 °C
Ambient temperature (storage/transport)	-25 °C ... 80 °C
Altitude	≤ 5000 m (For restrictions, see the manufacturer's declaration for altitude operation)
Permissible humidity (operation)	10 % ... 95 % (non-condensing)
Permissible humidity (storage/transport)	5 % ... 95 % (non-condensing)

Approval data

EAC

Identification	EAC
----------------	-----

EAC

Identification	□ II 3 G Ex nA IIC T4 Gc X
Note	Please follow the special installation instructions in the documentation!

EAC

Identification	ISA-S71.04-1985 G3 Harsh Group A
----------------	----------------------------------

D-SUB bus connector - SUBCON-PLUS-PROFIB/SC2



2708232

<https://www.phoenixcontact.com/pc/products/2708232>

Standards and regulations

Free from substances that could impair the application of coating

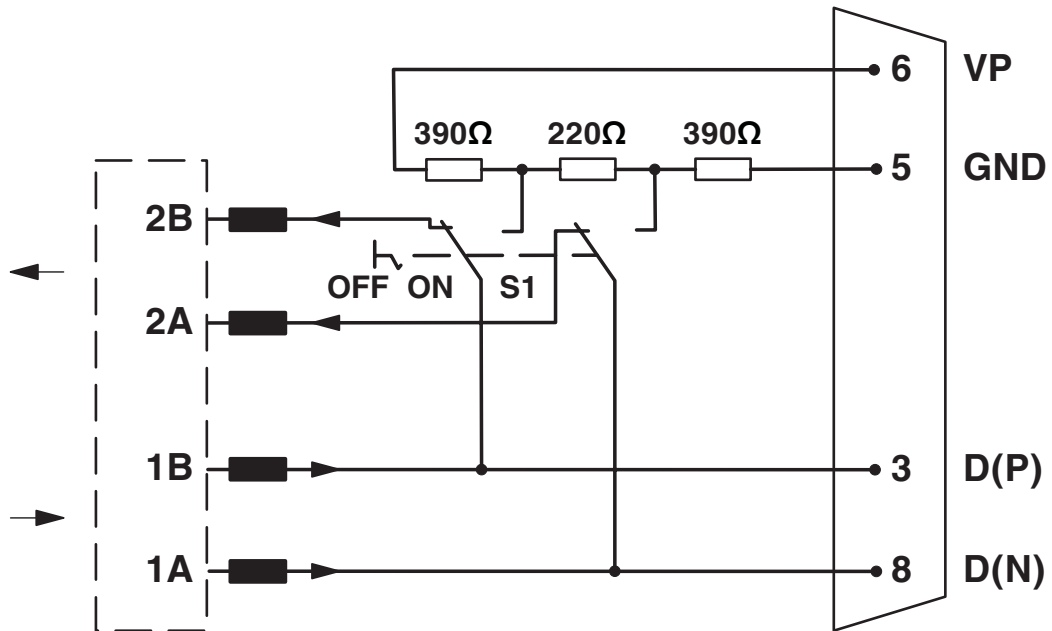
according to P-VW 3.10.7 57 65 0 VW-AUDI-Seat central standard

2708232

<https://www.phoenixcontact.com/pc/products/2708232>

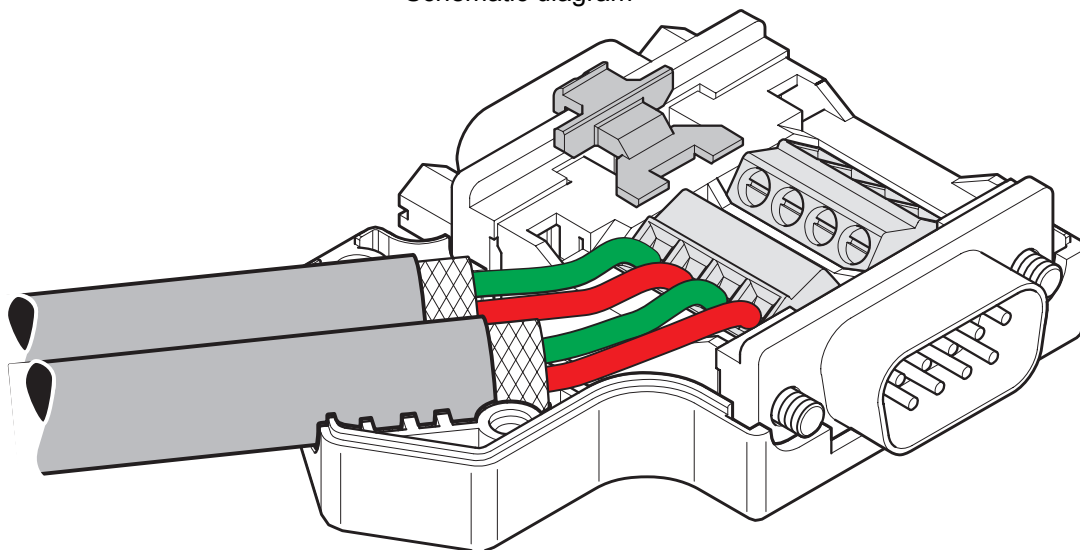
Drawings

Circuit diagram



Functional diagram of the connector range
SUBCON-PLUS-PROFIB/...

Schematic diagram



Left-hand side cable entry

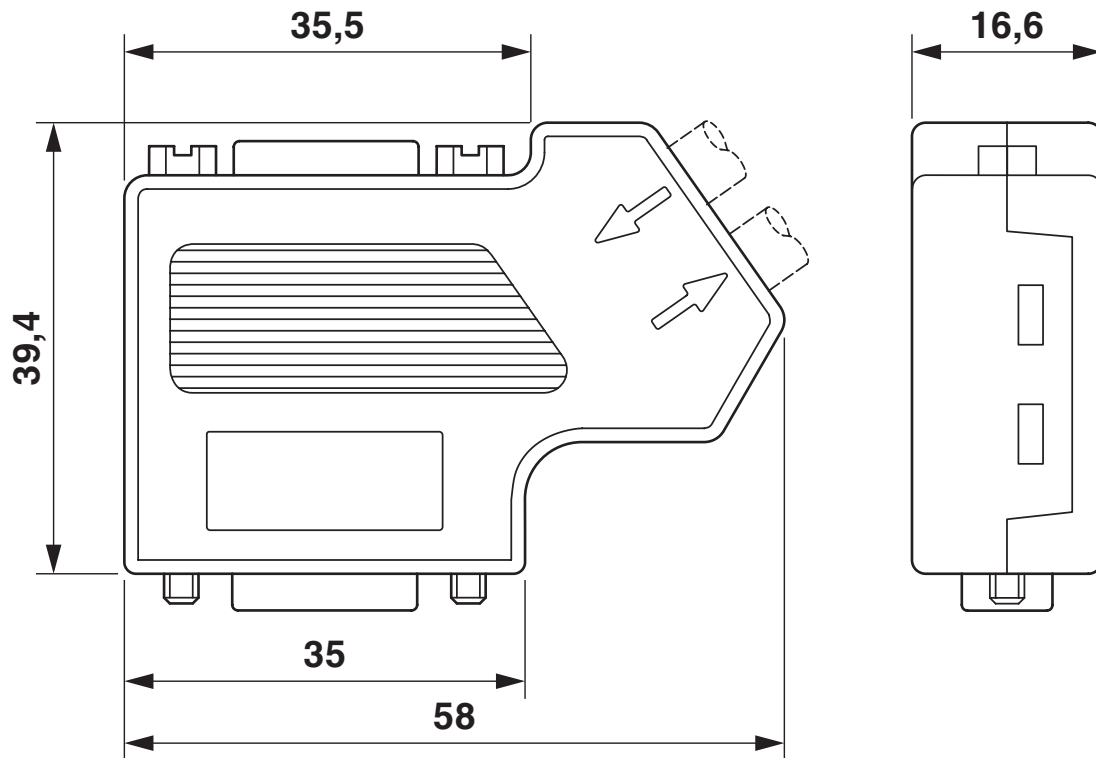
D-SUB bus connector - SUBCON-PLUS-PROFIB/SC2



2708232

<https://www.phoenixcontact.com/pc/products/2708232>

Dimensional drawing

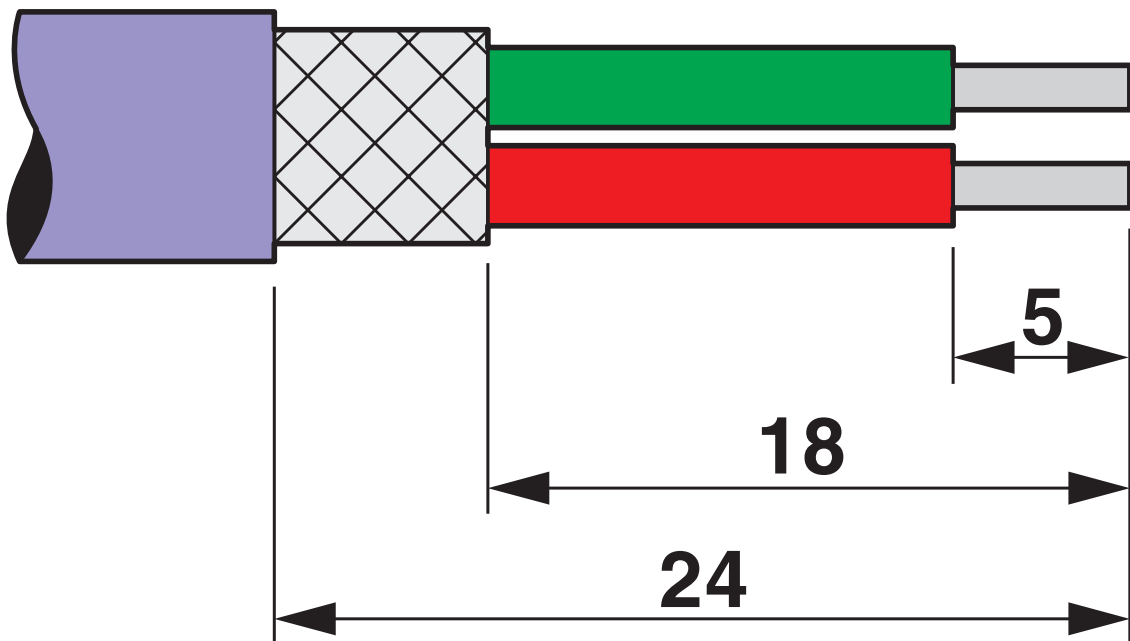


Dimensional drawing

2708232

<https://www.phoenixcontact.com/pc/products/2708232>

Schematic diagram

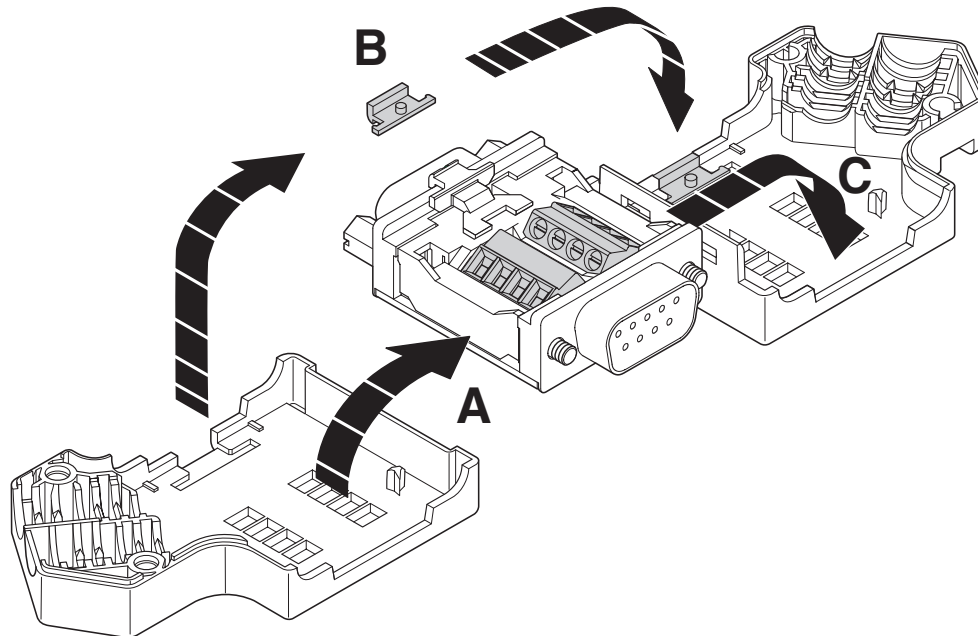


Stripping specifications

2708232

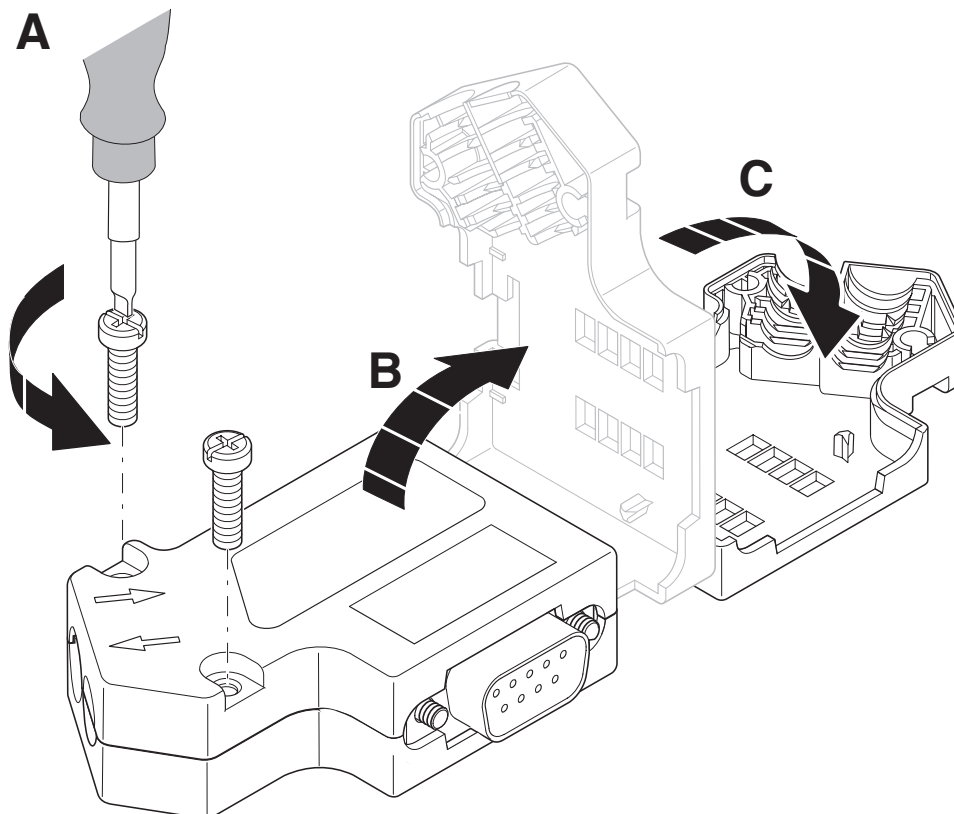
<https://www.phoenixcontact.com/pc/products/2708232>

Schematic diagram



Right-hand side cable entry

Schematic diagram



Right-hand side cable entry

D-SUB bus connector - SUBCON-PLUS-PROFIB/SC2



2708232

<https://www.phoenixcontact.com/pc/products/2708232>

Approvals



cUL Recognized
Approval ID: FILE E 238705



UL Recognized
Approval ID: FILE E 238705



CSA
Approval ID: 2437602



ATEX
Approval ID: PxCIF15ATEX2744348X

cULus Recognized

D-SUB bus connector - SUBCON-PLUS-PROFIB/SC2



2708232

<https://www.phoenixcontact.com/pc/products/2708232>

Classifications

ECLASS

ECLASS-9.0	27440302
ECLASS-10.0.1	27440302
ECLASS-11.0	27440302

ETIM

ETIM 8.0	EC001132
----------	----------

UNSPSC

UNSPSC 21.0	39121400
-------------	----------

D-SUB bus connector - SUBCON-PLUS-PROFIB/SC2



2708232

<https://www.phoenixcontact.com/pc/products/2708232>

Environmental Product Compliance

China RoHS	Environmentally friendly use period: unlimited = EFUP-e
	No hazardous substances above threshold values

2708232

<https://www.phoenixcontact.com/pc/products/2708232>

Accessories

Screwdriver

Screwdriver - SZF 0-0,4X2,5 - 1204504

<https://www.phoenixcontact.com/pc/products/1204504>



Actuation tool, for ST terminal blocks, also suitable for use as a bladed screwdriver, size: 0.4 x 2.5 x 75 mm, 2-component grip, with non-slip grip

Screwdriver

Screwdriver - SZK PH1 VDE - 1205150

<https://www.phoenixcontact.com/pc/products/1205150>



Screwdriver, PH crosshead, VDE insulated, size: PH 1 x 80 mm, 2-component grip, with non-slip grip

D-SUB bus connector - SUBCON-PLUS-PROFIB/SC2

2708232

<https://www.phoenixcontact.com/pc/products/2708232>

Termination resistor

Termination resistor - PSI-TERMINATOR-PB-TBUS - 2702636

<https://www.phoenixcontact.com/pc/products/2702636>



Active termination resistor for PROFIBUS and RS-485 bus systems, redundant power supply, routing of the supply voltage via DIN rail connector, electrical isolation, switchable termination, integrated programming interface

D-SUB bus connector

D-SUB bus connector - SUBCON-PLUS-PROFIB/PG/SC2 - 2708245

<https://www.phoenixcontact.com/pc/products/2708245>



D-SUB connector, 9-pos., male connector, 35° cable entry, bus system: PROFIBUS DP up to 12 Mbps with PG D-SUB socket for connecting a programming device, termination resistor can be switched on via slide switch, pin assignment: 3, 5, 6, 8; screw connection terminal blocks

D-SUB bus connector - SUBCON-PLUS-PROFIB/SC2

2708232

<https://www.phoenixcontact.com/pc/products/2708232>

D-SUB bus connector

D-SUB bus connector - SUBCON-PLUS-PROFIB/90/PG/IDC - 2313685

<https://www.phoenixcontact.com/pc/products/2313685>



D-SUB connector, 9-pos., male connector, 90° cable entry, bus system: PROFIBUS DP up to 12 Mbps with PG D-SUB socket for connecting a programming device, termination resistor can be switched on via slide switch, pin assignment: 3, 5, 6, 8; IDC terminal block connection

D-SUB bus connector

D-SUB bus connector - SUBCON-PLUS-PROFIB/AX/SC - 2744380

<https://www.phoenixcontact.com/pc/products/2744380>



D-SUB connector, 9-pos., male connector, axial version with two cable entries, bus system: PROFIBUS DP up to 12 Mbps, termination resistor can be switched on via slide switch, pin assignment: 3, 5, 6, 8; screw connection terminal blocks

D-SUB bus connector - SUBCON-PLUS-PROFIB/SC2



2708232

<https://www.phoenixcontact.com/pc/products/2708232>

Stripping pliers

Stripping pliers - QUICK WIREFOX 6 - 1204384

<https://www.phoenixcontact.com/pc/products/1204384>



Stripping tool for cables with PVC insulation, stripping range: 0.08 to 6 mm², wire cutting up to 6 mm² flexible or 4 mm² rigid

Bus system cable

Bus system cable - PSM-CABLE-PROFIB/FC - 2744652

<https://www.phoenixcontact.com/pc/products/2744652>



By the meter, Bus system cable, PROFIBUS (12 Mbps), shielded, PVC FR VI/PVC, violet, 2-wire (1X2XAWG22/1), color single wire: Red, green, cable length: Free entry (1.0 ... 1000.0 m)

D-SUB bus connector - SUBCON-PLUS-PROFIB/SC2



2708232

<https://www.phoenixcontact.com/pc/products/2708232>

Stripping tool

Stripping tool - PSM-STRIP-FC/PROFIB - 2744623

<https://www.phoenixcontact.com/pc/products/2744623>

Quick stripping tool for PROFIBUS cable, type Fast Connect



Phoenix Contact 2022 © - all rights reserved

<https://www.phoenixcontact.com>

PHOENIX CONTACT GmbH & Co. KG

Flachsmarktstraße 8

D-32825 Blomberg

+49 (0) 5235-3 00

info@phoenixcontact.com