

# Sealing frame - CES-B24-10XSRC-BK



1411074

<https://www.phoenixcontact.com/pc/products/1411074>

Please be informed that the data shown in this PDF document is generated from our Online Catalog. Please find the complete data in the user documentation. Our General Terms of Use for Downloads are valid.



Sealing frame with screw locking, size: B24, with 10 pre-mounted coned sleeves for a 2 mm ... 11 mm conductor diameter

## Commercial Data

Item number	1411074
Packing unit	1 pc
Minimum order quantity	1 pc
Product Key	BF7CAX
Catalog Page	Page 677 (C-2-2019)
GTIN	4046356921886
Weight per Piece (including packing)	271.7 g
Weight per Piece (excluding packing)	258.7 g
Customs tariff number	39269097
Country of origin	PL

# Sealing frame - CES-B24-10XSRC-BK

1411074

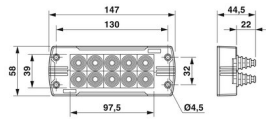
<https://www.phoenixcontact.com/pc/products/1411074>

## Technical Data

### Product properties

Type	B24
Product type	Frame for cable sleeves
Locking type	with screw locking
Frame type	Sealing frame with coned sleeves

### Dimensions

Dimensional drawing	
Width	58 mm
Height	20 mm
Length	147 mm
Drill hole distance, horizontal	130 mm
Drill hole distance, vertical	32 mm
Hole diameter	5.5 mm

### Installation dimensions

Width of the assembly cutout	35 mm
Length of the assembly cutout	113 mm

### Material specifications

Color	black
Material	PA (Frame) NBR (Coned sleeves)

### Cable / line

External cable diameter	10x 2 mm ... 11 mm
-------------------------	--------------------

### Characteristics

Number of cable seals	10
-----------------------	----

### Environmental and real-life conditions

#### Ambient conditions

Degree of protection	IP54 IP65
Ambient temperature (operation)	-40 °C ... 120 °C (static)

### Mounting

Assembly instructions	M4 locking screw with 3 mm hex socket head, torque 2 ... 4 Nm
-----------------------	---

# Sealing frame - CES-B24-10XSRC-BK



1411074

<https://www.phoenixcontact.com/pc/products/1411074>

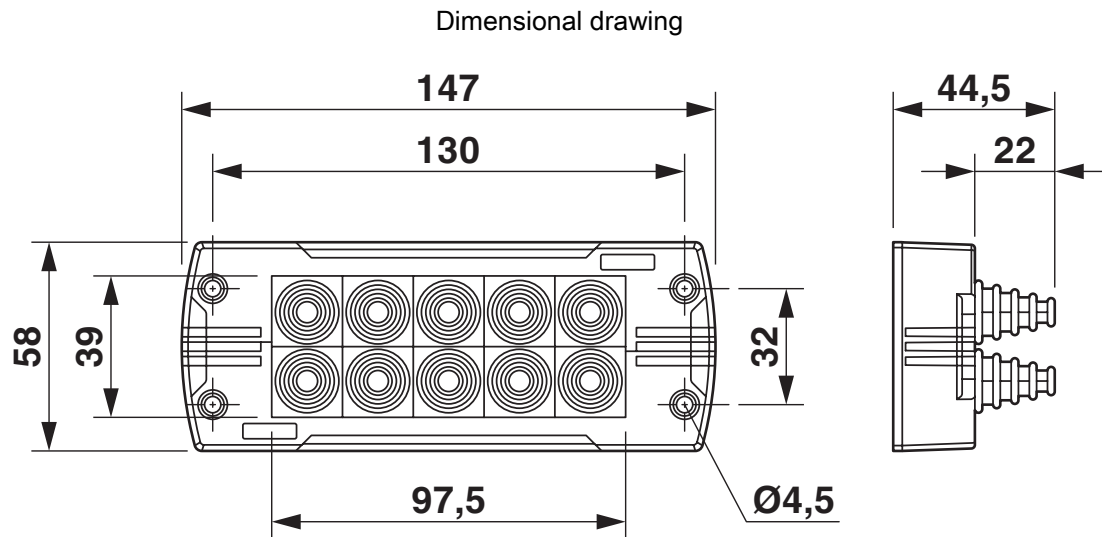
The flat gasket supplied should be inserted between the wall and the sealing frame in the case of wall mounting. IP54: for vertical sealing frame mounting/for horizontal sealing frame mounting (downward cable outlet direction). IP65: vertical mounting/horizontal mounting (downward cable outlet direction) of the sealing frame directly on the housing panel and use of a 3.6 mm wide cable binder (e.g., item 3240744).

# Sealing frame - CES-B24-10XSRC-BK

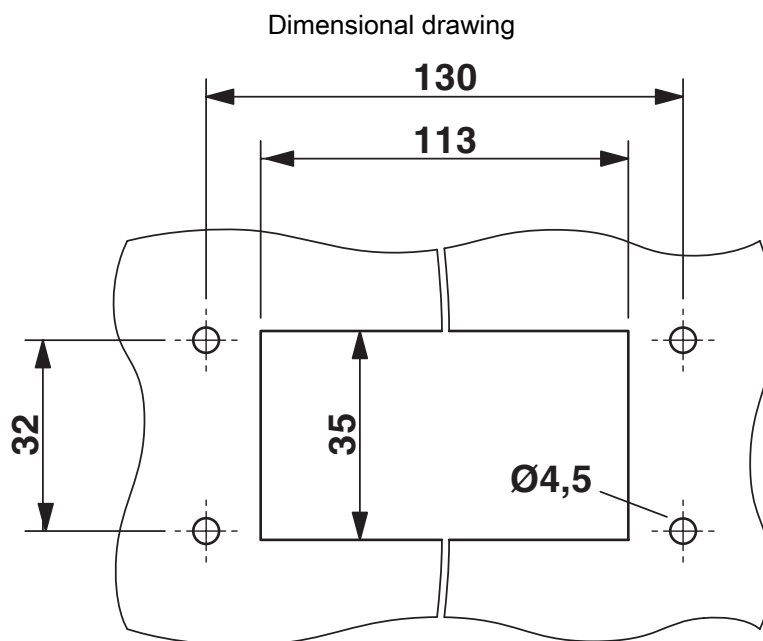
1411074

<https://www.phoenixcontact.com/pc/products/1411074>

## Drawings



Dimensional drawing



Mounting cutout

# Sealing frame - CES-B24-10XSRC-BK



1411074

<https://www.phoenixcontact.com/pc/products/1411074>

## Approvals

**DNV**

Approval ID: TAE00003VJ

# Sealing frame - CES-B24-10XSRC-BK



1411074

<https://www.phoenixcontact.com/pc/products/1411074>

## Classifications

### ECLASS

ECLASS-9.0	23071590
ECLASS-10.0.1	23071590
ECLASS-11.0	23071590

### ETIM

ETIM 8.0	EC002498
----------	----------

### UNSPSC

UNSPSC 21.0	31401600
-------------	----------

# Sealing frame - CES-B24-10XSRC-BK



1411074

<https://www.phoenixcontact.com/pc/products/1411074>

## Environmental Product Compliance

China RoHS	Environmentally friendly use period: unlimited = EFUP-e
	No hazardous substances above threshold values

# Sealing frame - CES-B24-10XSRC-BK



1411074

<https://www.phoenixcontact.com/pc/products/1411074>

## Accessories

### Cutting tool

Cutting tool - CUTFOX-ES - 1212621

<https://www.phoenixcontact.com/pc/products/1212621>



Electrician's scissors, high cutting performance thanks to micro-serrated cutting area, suitable for copper, aluminum, Kevlar fibers, and plastic, two-component non-slip soft-grip handles, ergonomic design, adjustable screw joint

---

Phoenix Contact 2022 © - all rights reserved  
<https://www.phoenixcontact.com>

PHOENIX CONTACT GmbH & Co. KG  
Flachsmarktstraße 8  
D-32825 Blomberg  
+49 (0) 5235-3 00  
[info@phoenixcontact.com](mailto:info@phoenixcontact.com)