

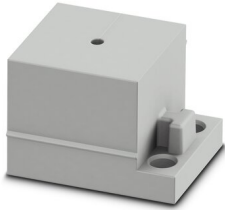
# Cable sleeve - CES-STPG-GY-3



0801673

<https://www.phoenixcontact.com/pc/products/0801673>

Please be informed that the data shown in this PDF document is generated from our Online Catalog. Please find the complete data in the user documentation. Our General Terms of Use for Downloads are valid.



Cable sleeve, small, no. of conductors: 1, type: Round cable, slotted, external cable diameter: 1x 2 mm ... 3 mm, material: SEBS (halogen-free), color: gray, length: 29.5 mm, width: 19.5 mm, height: 17 mm

## Product Description

Slotted cable sleeve

## Commercial Data

|                                      |                     |
|--------------------------------------|---------------------|
| Item number                          | 0801673             |
| Packing unit                         | 10 pc               |
| Minimum order quantity               | 10 pc               |
| Product Key                          | BF7CCX              |
| Catalog Page                         | Page 680 (C-2-2019) |
| GTIN                                 | 4046356674799       |
| Weight per Piece (including packing) | 8.19 g              |
| Weight per Piece (excluding packing) | 8.19 g              |
| Customs tariff number                | 40169997            |
| Country of origin                    | PL                  |

# Cable sleeve - CES-STPG-GY-3

0801673

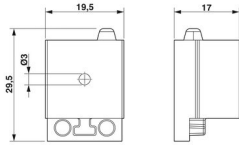
<https://www.phoenixcontact.com/pc/products/0801673>

## Technical Data

### Product properties

|                   |              |
|-------------------|--------------|
| Product type      | Cable sleeve |
| No. of conductors | 1            |

### Dimensions

|                     |  |
|---------------------|--|
| Dimensional drawing |  |
| Width               | 19.5 mm  |
| Height              | 17 mm  |
| Length              | 29.5 mm  |

### Material specifications

|  |                     |
|--|---------------------|
| Color                                  | gray                |
| Material                               | SEBS                |
| Material                               | SEBS (halogen-free) |
| Flammability rating according to UL 94 | V0                  |

### Cable / line

|                         |                   |
|-------------------------|-------------------|
| External cable diameter | 1 x 2 mm ... 3 mm |
|-------------------------|-------------------|

### Characteristics

|                    |             |
|--------------------|-------------|
| Seal size          | small       |
| Design, Format     | Round cable |
| Design, Cable seal | slotted     |

### Environmental and real-life conditions

#### Ambient conditions

|                                 |                           |
|---------------------------------|---------------------------|
| Degree of protection            | IP54                      |
| Ambient temperature (operation) | -40 °C ... 80 °C (static) |

# Cable sleeve - CES-STPG-GY-3

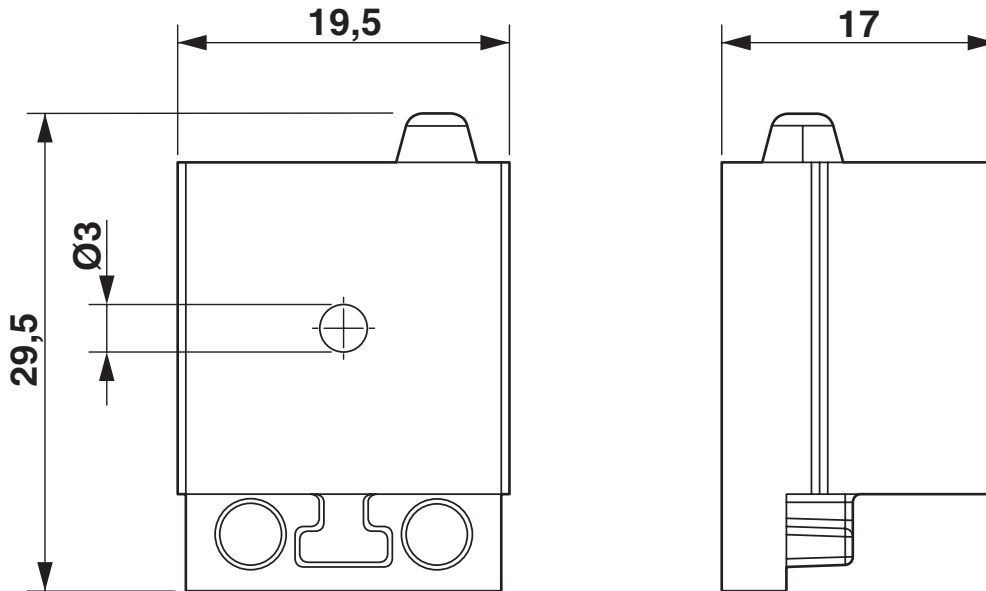
0801673

<https://www.phoenixcontact.com/pc/products/0801673>



## Drawings

Dimensional drawing



Dimensional drawing

# Cable sleeve - CES-STPG-GY-3



0801673

<https://www.phoenixcontact.com/pc/products/0801673>

## Approvals



**cUL Recognized**

Approval ID: NITW8.E255026



**UL Recognized**

Approval ID: NITW2.E255026

**DNV**

Approval ID: TAE00003VJ

**cULus Recognized**

# Cable sleeve - CES-STPG-GY-3



0801673

<https://www.phoenixcontact.com/pc/products/0801673>

## Classifications

### ECLASS

|               |          |
|---------------|----------|
| ECLASS-9.0    | 27144425 |
| ECLASS-10.0.1 | 27144425 |
| ECLASS-11.0   | 27144425 |

### ETIM

|          |          |
|----------|----------|
| ETIM 8.0 | EC000451 |
|----------|----------|

### UNSPSC

|             |          |
|-------------|----------|
| UNSPSC 21.0 | 39121400 |
|-------------|----------|

# Cable sleeve - CES-STPG-GY-3



0801673

<https://www.phoenixcontact.com/pc/products/0801673>

## Environmental Product Compliance

|            |   |
|------------|---|
| China RoHS | Environmentally friendly use period: unlimited = EFUP-e |
|            | No hazardous substances above threshold values          |

# Cable sleeve - CES-STPG-GY-3

0801673

<https://www.phoenixcontact.com/pc/products/0801673>



## Accessories

### Filler plugs

Filler plugs - KDT-ST 3 - 3063921

<https://www.phoenixcontact.com/pc/products/3063921>

Filler plugs, material: PA, length: 25 mm, diameter: 3 mm



---

### Sealing frame

Sealing frame - CES-B10-HFFS-PLBK - 0801663

<https://www.phoenixcontact.com/pc/products/0801663>

Sealing frame with locking latch, size B10, with flat gasket, for 6 small sleeves



# Cable sleeve - CES-STPG-GY-3

0801673

<https://www.phoenixcontact.com/pc/products/0801673>

## Sealing frame

Sealing frame - CES-B16-HFFS-PLBK - 0801662

<https://www.phoenixcontact.com/pc/products/0801662>



Sealing frame with locking latch, size B16, with flat gasket, for 8 small sleeves

---

## Sealing frame

Sealing frame - CES-B24-HFFS-PLBK - 0801661

<https://www.phoenixcontact.com/pc/products/0801661>



Sealing frame with locking latch, size B24, with flat gasket, for 10 small sleeves



# Cable sleeve - CES-STPG-GY-3

0801673

<https://www.phoenixcontact.com/pc/products/0801673>



## Sealing frame

Sealing frame - CES-B10-SFFS-PLBK - 0801660

<https://www.phoenixcontact.com/pc/products/0801660>



Sealing frame with screw locking, size B10, with flat gasket, for 6 small sleeves

---

## Sealing frame

Sealing frame - CES-B16-SFFS-PLBK - 0801659

<https://www.phoenixcontact.com/pc/products/0801659>



Sealing frame with screw locking, size B16, with flat gasket, for 8 small sleeves

# Cable sleeve - CES-STPG-GY-3

0801673

<https://www.phoenixcontact.com/pc/products/0801673>



## Sealing frame

Sealing frame - CES-B24-SFFS-PLBK - 0801658

<https://www.phoenixcontact.com/pc/products/0801658>



Sealing frame with screw locking, size B24, with flat gasket, for 10 small sleeves

---

Phoenix Contact 2022 © - all rights reserved

<https://www.phoenixcontact.com>

PHOENIX CONTACT GmbH & Co. KG

Flachsmarktstraße 8

D-32825 Blomberg

+49 (0) 5235-3 00

[info@phoenixcontact.com](mailto:info@phoenixcontact.com)