

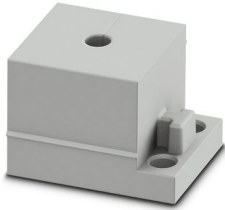
# Cable sleeve - CES-STPG-GY-7



0801677

<https://www.phoenixcontact.com/pc/products/0801677>

Please be informed that the data shown in this PDF document is generated from our Online Catalog. Please find the complete data in the user documentation. Our General Terms of Use for Downloads are valid.



Cable sleeve, small, no. of conductors: 1, type: Round cable, slotted, external cable diameter: 1x 6 mm ... 7 mm, material: SEBS (halogen-free), color: gray, length: 29.5 mm, width: 19.5 mm, height: 17 mm

## Product Description

Slotted cable sleeve

## Commercial Data

Item number	0801677
Packing unit	10 pc
Minimum order quantity	10 pc
Product Key	BF7CCX
Catalog Page	Page 680 (C-2-2019)
GTIN	4046356674836
Weight per Piece (including packing)	7.63 g
Weight per Piece (excluding packing)	7.63 g
Customs tariff number	40169997
Country of origin	PL

# Cable sleeve - CES-STPG-GY-7

0801677

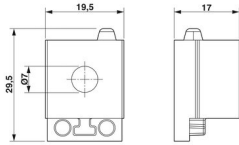
<https://www.phoenixcontact.com/pc/products/0801677>

## Technical Data

### Product properties

Product type	Cable sleeve
No. of conductors	1

### Dimensions

Dimensional drawing	
Width	19.5 mm
Height	17 mm
Length	29.5 mm

### Material specifications

Color	gray
Material	SEBS
Material	SEBS (halogen-free)
Flammability rating according to UL 94	V0

### Cable / line

External cable diameter	1x 6 mm ... 7 mm
-------------------------	------------------

### Characteristics

Seal size	small
Design, Format	Round cable
Design, Cable seal	slotted

### Environmental and real-life conditions

#### Ambient conditions

Degree of protection	IP54
Ambient temperature (operation)	-40 °C ... 80 °C (static)

# Cable sleeve - CES-STPG-GY-7

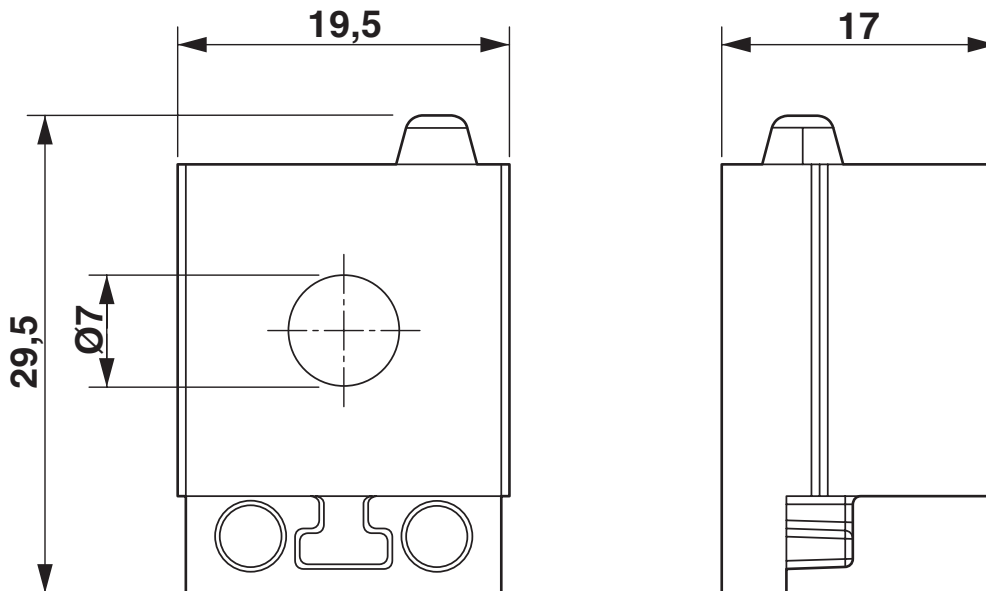
0801677

<https://www.phoenixcontact.com/pc/products/0801677>



## Drawings

Dimensional drawing



Dimensional drawing

# Cable sleeve - CES-STPG-GY-7



0801677

<https://www.phoenixcontact.com/pc/products/0801677>

## Approvals



**cUL Recognized**

Approval ID: NITW8.E255026



**UL Recognized**

Approval ID: NITW2.E255026

**DNV**

Approval ID: TAE00003VJ

**cULus Recognized**

# Cable sleeve - CES-STPG-GY-7



0801677

<https://www.phoenixcontact.com/pc/products/0801677>

## Classifications

### ECLASS

ECLASS-9.0	27144425
ECLASS-10.0.1	27144425
ECLASS-11.0	27144425

### ETIM

ETIM 8.0	EC000451
----------	----------

### UNSPSC

UNSPSC 21.0	39121400
-------------	----------

# Cable sleeve - CES-STPG-GY-7



0801677

<https://www.phoenixcontact.com/pc/products/0801677>

## Environmental Product Compliance

China RoHS	Environmentally friendly use period: unlimited = EFUP-e
	No hazardous substances above threshold values

# Cable sleeve - CES-STPG-GY-7

0801677

<https://www.phoenixcontact.com/pc/products/0801677>



## Accessories

### Filler plugs

Filler plugs - KDT-ST 7 - 3063963

<https://www.phoenixcontact.com/pc/products/3063963>

Filler plugs, material: PA, length: 25 mm, diameter: 7 mm



---

### Sealing frame

Sealing frame - CES-B10-HFFS-PLBK - 0801663

<https://www.phoenixcontact.com/pc/products/0801663>

Sealing frame with locking latch, size B10, with flat gasket, for 6 small sleeves



# Cable sleeve - CES-STPG-GY-7

0801677

<https://www.phoenixcontact.com/pc/products/0801677>



## Sealing frame

Sealing frame - CES-B16-HFFS-PLBK - 0801662

<https://www.phoenixcontact.com/pc/products/0801662>



Sealing frame with locking latch, size B16, with flat gasket, for 8 small sleeves

---

## Sealing frame

Sealing frame - CES-B24-HFFS-PLBK - 0801661

<https://www.phoenixcontact.com/pc/products/0801661>



Sealing frame with locking latch, size B24, with flat gasket, for 10 small sleeves



# Cable sleeve - CES-STPG-GY-7

0801677

<https://www.phoenixcontact.com/pc/products/0801677>



## Sealing frame

Sealing frame - CES-B10-SFFS-PLBK - 0801660

<https://www.phoenixcontact.com/pc/products/0801660>



Sealing frame with screw locking, size B10, with flat gasket, for 6 small sleeves

---

## Sealing frame

Sealing frame - CES-B16-SFFS-PLBK - 0801659

<https://www.phoenixcontact.com/pc/products/0801659>



Sealing frame with screw locking, size B16, with flat gasket, for 8 small sleeves

# Cable sleeve - CES-STPG-GY-7

0801677

<https://www.phoenixcontact.com/pc/products/0801677>



## Sealing frame

Sealing frame - CES-B24-SFFS-PLBK - 0801658

<https://www.phoenixcontact.com/pc/products/0801658>



Sealing frame with screw locking, size B24, with flat gasket, for 10 small sleeves

---

Phoenix Contact 2022 © - all rights reserved

<https://www.phoenixcontact.com>

PHOENIX CONTACT GmbH & Co. KG

Flachsmarktstraße 8

D-32825 Blomberg

+49 (0) 5235-3 00

[info@phoenixcontact.com](mailto:info@phoenixcontact.com)