

# Cable sleeve - CES-SRC-BK



0801718

<https://www.phoenixcontact.com/pc/products/0801718>

Please be informed that the data shown in this PDF document is generated from our Online Catalog. Please find the complete data in the user documentation. Our General Terms of Use for Downloads are valid.



Cable sleeve, small, no. of conductors: 1, type: Round cable, closed, external cable diameter: 1x 2 mm ... 11 mm, material: NBR, color: black, length: 29.5 mm, width: 19.5 mm, height: 17 mm

## Product Description

Unslotted sleeves for accommodating cables and lines with a diameter of 2 ... 11 mm, can be used in CES sealing frames

## Commercial Data

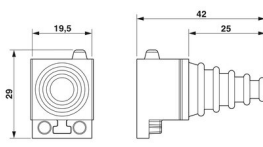
Item number	0801718
Packing unit	10 pc
Minimum order quantity	1 pc
Product Key	BF7CCX
Catalog Page	Page 678 (C-2-2019)
GTIN	4046356675185
Weight per Piece (including packing)	9.03 g
Weight per Piece (excluding packing)	9.03 g
Customs tariff number	40169997
Country of origin	TW

## Technical Data

### Product properties

Product type	Cable sleeve
No. of conductors	1

### Dimensions

Dimensional drawing	
Width	19.5 mm
Height	17 mm
Length	29.5 mm

### Material specifications

Color	black
Material	NBR
Material	NBR

### Cable / line

External cable diameter	1x 2 mm ... 11 mm
-------------------------	-------------------

### Characteristics

Seal size	small
Design, Format	Round cable
Design, Cable seal	closed

### Environmental and real-life conditions

#### Ambient conditions

Degree of protection	IP54 IP65
Ambient temperature (operation)	-40 °C ... 125 °C (static)

### Mounting

Assembly instructions	IP54: for vertical sealing frame mounting/for horizontal sealing frame mounting (downward cable outlet direction). IP65: vertical mounting/horizontal mounting (downward cable outlet direction) of the sealing frame directly on the housing panel and use of a 3.6 mm wide cable binder (e.g., item 3240744).
-----------------------	---

# Cable sleeve - CES-SRC-BK

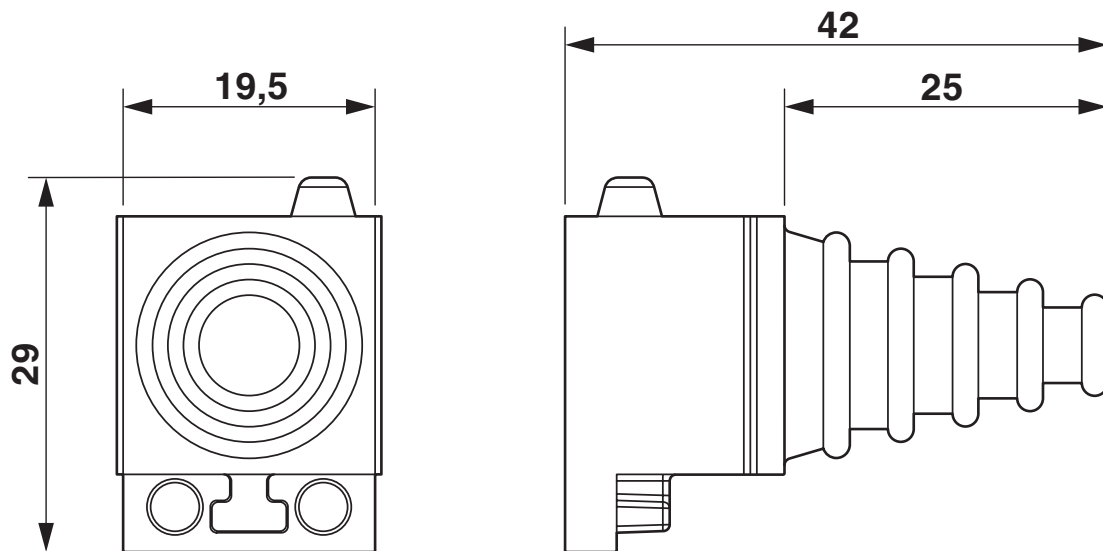
0801718

<https://www.phoenixcontact.com/pc/products/0801718>



## Drawings

Dimensional drawing



Dimensional drawing

# Cable sleeve - CES-SRC-BK

0801718

<https://www.phoenixcontact.com/pc/products/0801718>



## Approvals

**DNV**

Approval ID: TAE00003VJ

# Cable sleeve - CES-SRC-BK



0801718

<https://www.phoenixcontact.com/pc/products/0801718>

## Classifications

### ECLASS

ECLASS-9.0	27144425
ECLASS-10.0.1	27144425
ECLASS-11.0	27144425

### ETIM

ETIM 8.0	EC000451
----------	----------

### UNSPSC

UNSPSC 21.0	39121400
-------------	----------

# Cable sleeve - CES-SRC-BK

0801718

<https://www.phoenixcontact.com/pc/products/0801718>



## Environmental Product Compliance

China RoHS	Environmentally friendly use period: unlimited = EFUP-e
	No hazardous substances above threshold values

# Cable sleeve - CES-SRC-BK

0801718

<https://www.phoenixcontact.com/pc/products/0801718>



## Accessories

### Cable tie

Cable tie - WT-HF 2,5X98 BK - 3240733

<https://www.phoenixcontact.com/pc/products/3240733>



Cable binders for quick and secure bundling, standard version

---

Phoenix Contact 2022 © - all rights reserved  
<https://www.phoenixcontact.com>

PHOENIX CONTACT GmbH & Co. KG  
Flachsmarktstraße 8  
D-32825 Blomberg  
+49 (0) 5235-3 00  
[info@phoenixcontact.com](mailto:info@phoenixcontact.com)