

# Antenna - RAD-ISM-900-ANT-OMNI-5



2867199

<https://www.phoenixcontact.com/pc/products/2867199>

Please be informed that the data shown in this PDF document is generated from our Online Catalog. Please find the complete data in the user documentation. Our General Terms of Use for Downloads are valid.

Omnidirectional antenna, 900 MHz, gain: 7 dBi, polarization: linear, opening angle: h/v 360°/30°, degree of protection: IP65, connection: N (female), incl. mounting bracket and mast clips



## Your advantages

- For freely mobile applications
- For multipoint or mesh connections

## Commercial Data

Item number	2867199
Packing unit	1 pc
Minimum order quantity	1 pc
Product Key	DNC6A3
Catalog Page	Page 395 (C-6-2019)
GTIN	4017918931681
Weight per Piece (including packing)	515 g
Weight per Piece (excluding packing)	515 g
Customs tariff number	85177100
Country of origin	US

## Technical Data

### Product properties

Product type	Antenna
Gain	7 dBi
Vertical beamwidth	30 °
Horizontal beamwidth	360 °
Polarization	Linear vertical

### Electrical properties

Frequency band	900 MHz
Frequency range	900 MHz
Impedance	50 Ω

### Connection data

#### Connection technology

Connection method	N (female)
Outside diameter	38 mm ... 57 mm (Mast)

### Dimensions

Width	0.3 cm
Height	60.9 cm

#### External dimensions

Outside diameter	38 mm ... 57 mm (Mast)
------------------	------------------------

### Material specifications

Material	galvanized sheet steel (Bracket) V2A (Mast clamp)
----------	--

### Cable / line

Connecting cable	No
------------------	----

### Environmental and real-life conditions

#### Ambient conditions

Degree of protection	IP65
Ambient temperature (operation)	-40 °C ... 80 °C
Wind velocity	12.34568 km/h

### Mounting

Mounting type	Mast mounting or wall mounting
---------------	--------------------------------

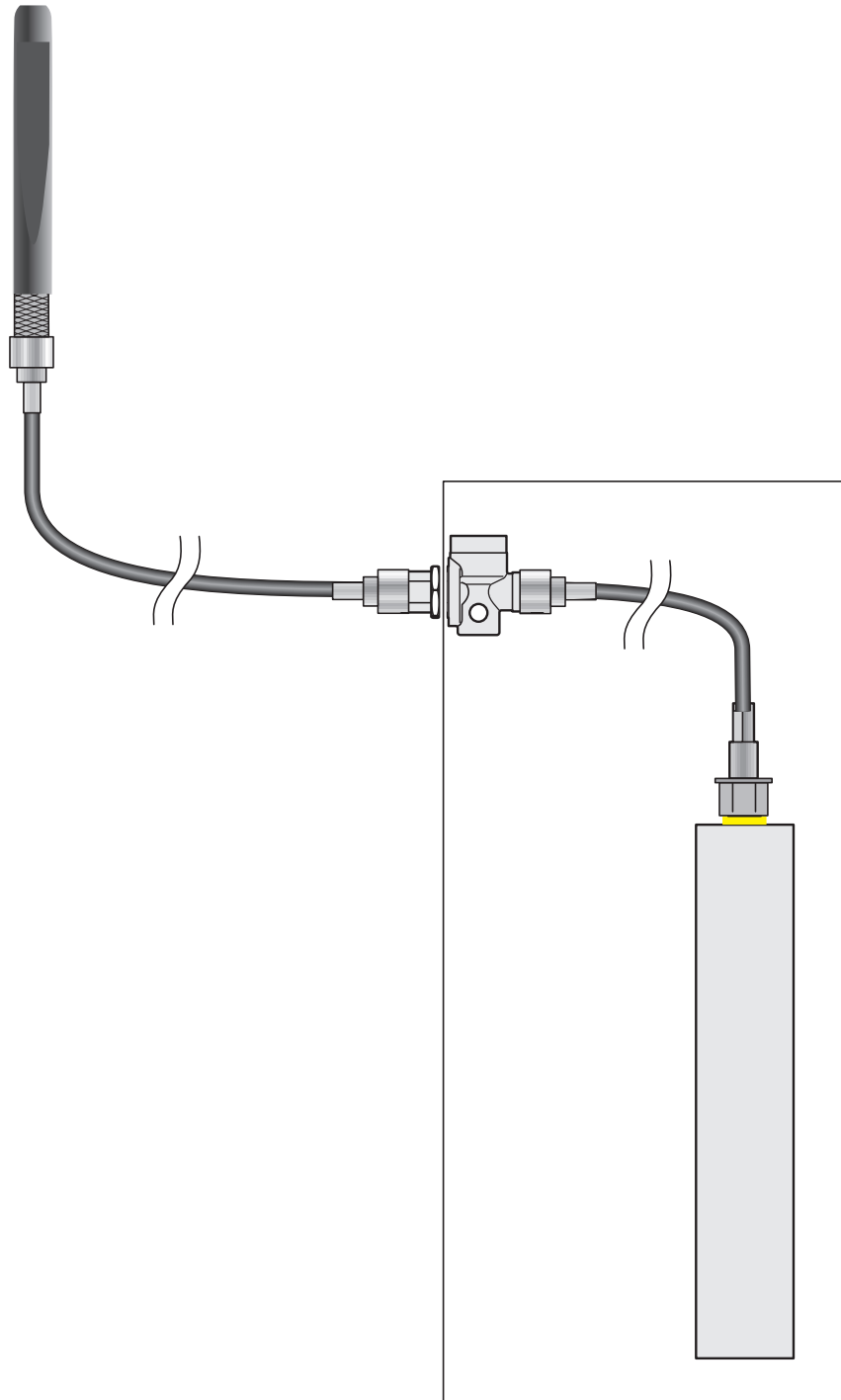
# Antenna - RAD-ISM-900-ANT-OMNI-5

2867199

<https://www.phoenixcontact.com/pc/products/2867199>

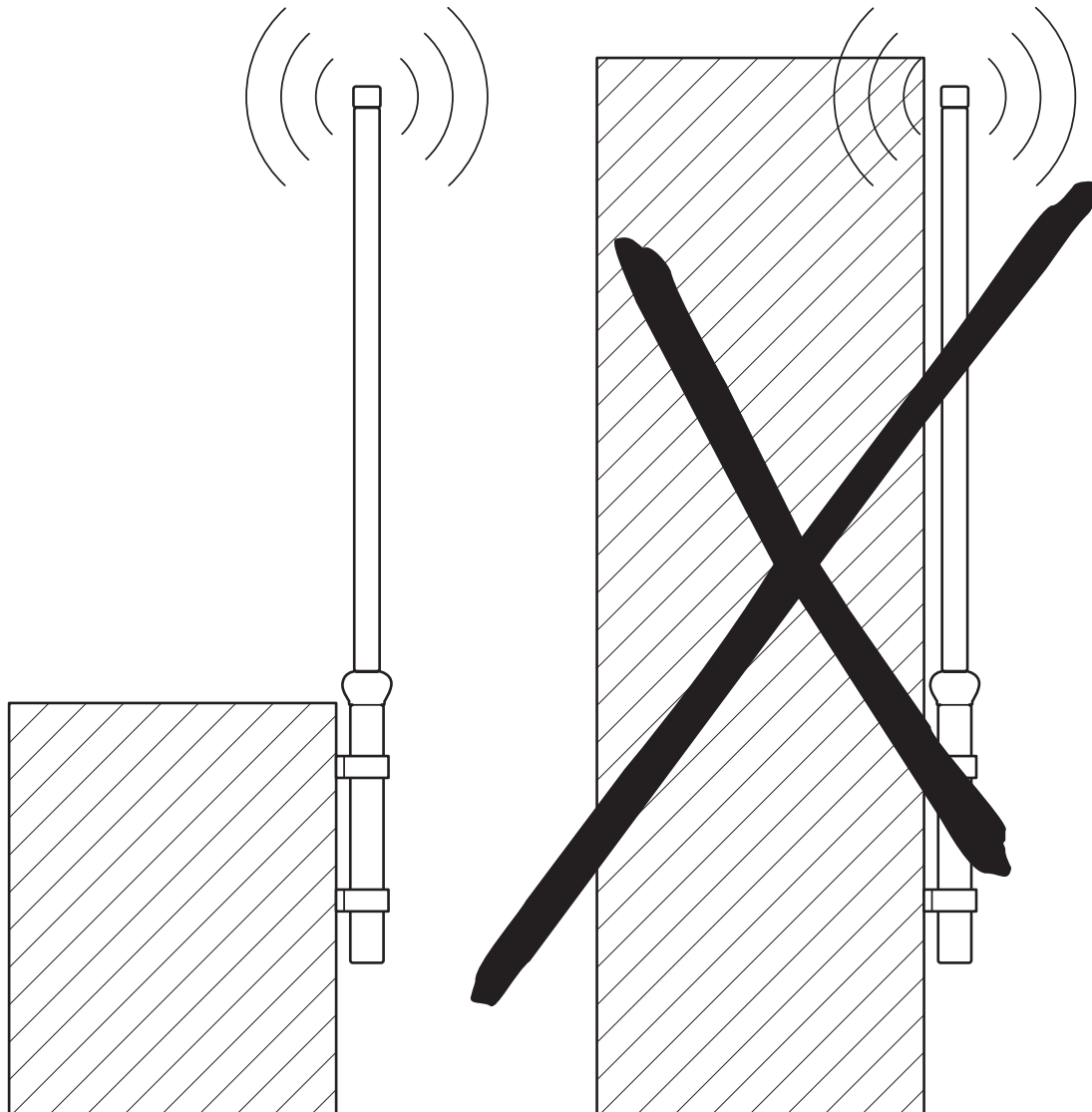
## Drawings

Schematic diagram



Installation example

Schematic diagram



# Antenna - RAD-ISM-900-ANT-OMNI-5



2867199

<https://www.phoenixcontact.com/pc/products/2867199>

## Classifications

### ECLASS

ECLASS-10.0.1	19070105
ECLASS-9.0	19070105
ECLASS-11.0	19070105

### ETIM

ETIM 8.0	EC001698
----------	----------

### UNSPSC

UNSPSC 21.0	43223100
-------------	----------

# Antenna - RAD-ISM-900-ANT-OMNI-5



2867199

<https://www.phoenixcontact.com/pc/products/2867199>

## Environmental Product Compliance

China RoHS	Environmentally friendly use period: unlimited = EFUP-e No hazardous substances above threshold values
------------	---

Phoenix Contact 2022 © - all rights reserved  
<https://www.phoenixcontact.com>

PHOENIX CONTACT GmbH & Co. KG  
Flachmarktstraße 8  
D-32825 Blomberg  
+49 (0) 5235-3 00  
[info@phoenixcontact.com](mailto:info@phoenixcontact.com)