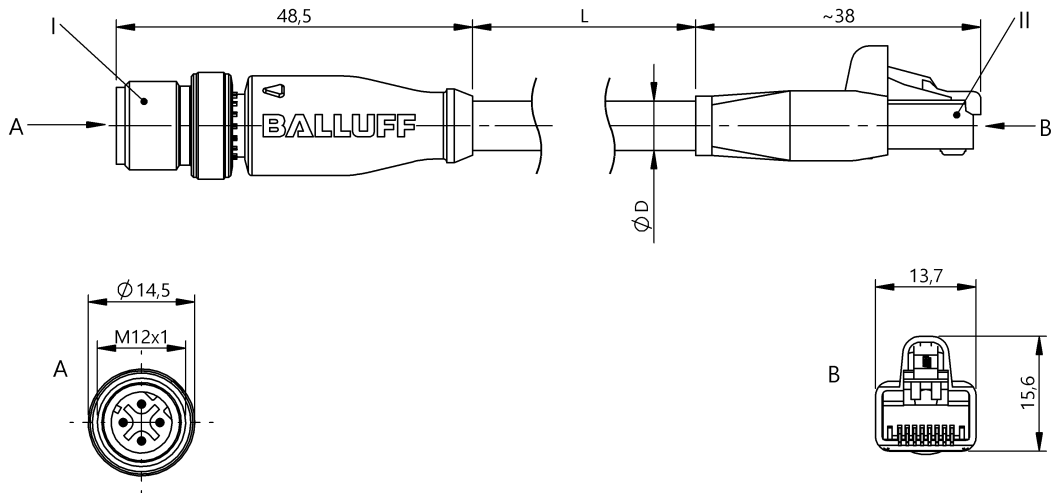


Double-Ended Cordsets
BCC M414-E894-8G-695-EX64N9-150
Order Code: BCC0E2K

BALLUFF



Basic features

| | |
|---------------------|-------------------|
| Application | Ethernet |
| Approval/Conformity | CE EAC WEEE |

Electrical connection

| | |
|-------------------------------------|---------------------------------------|
| Bending radius min., flexible cable | 10 x D |
| Cable | TPE teal, 15 m, drag chain compatible |
| Cable diameter D | 5.50 mm ±0.13 mm |
| Cable, bending cycles min. | 1 mil. |
| Cable, note | Ethernet |
| Conductor cross-section | 24 AWG |
| Connection 1 | M12x1-Male, Straight, 4-pin, D-coded |
| Connection 2 | RJ45-Male, Straight, 4-pin |
| Number of conductors | 4 |
| System | Molded/Molded |

Electrical data

| | |
|----------------------------------|--------------------|
| Cable rated voltage AC max. | 300 V |
| Cable rated voltage DC max. | 300 V |
| Conductor construction | 2x2 twisted-pair |
| Conductor resistance | ≤ 26.0 Ohm/1000 ft |
| Coupling resistance max. | 100 Ohm ±15 Ohm |
| Operating capacitance | 13.5 pF/ft |
| Operating voltage U _b | 42 VDC / 30 VAC |
| Rated current (40 °C) | 1.0 A |
| Transfer rate | 10/100 Mbit/s |

Environmental conditions

| | |
|-------------------------------------|------------------------|
| Cable temperature, flexible routing | -40...105 °C |
| IP rating | IP67, IP68, IP69K/IP20 |

Material

| | |
|--------------------------|------------------------------------|
| Cable jacket, material | TPE |
| Material contact carrier | PUR/PA |
| Material contacts | Brass/Phosphor bronze, gold plated |
| Material cover nut | Brass nickel-plated |
| Material grip | PUR/PVC |

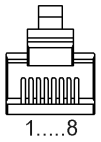
Mechanical data

| | |
|---------------------------|-----------------------|
| Cable jacket, color | teal |
| Cable length L | 15.00 m |
| Cable properties | drag chain compatible |
| Tightening torque pigtail | 0.6 Nm/- |

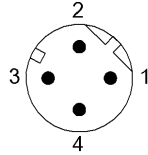
Remarks

Cable construction per UL CMX Outdoor
 Enclosure rating per IEC 60529 or ISO 20653, only in screwed state with the associated mating piece.

Connector Drawings



II
 PIN 1: white/orange
 PIN 2: orange
 PIN 3: white/green
 PIN 4: n.c.
 PIN 5: n.c.
 PIN 6: green
 PIN 7: n.c.
 PIN 8: n.c.



I
 PIN 1: white/orange
 PIN 2: white/green
 PIN 3: orange
 PIN 4: green

Wiring Diagrams

