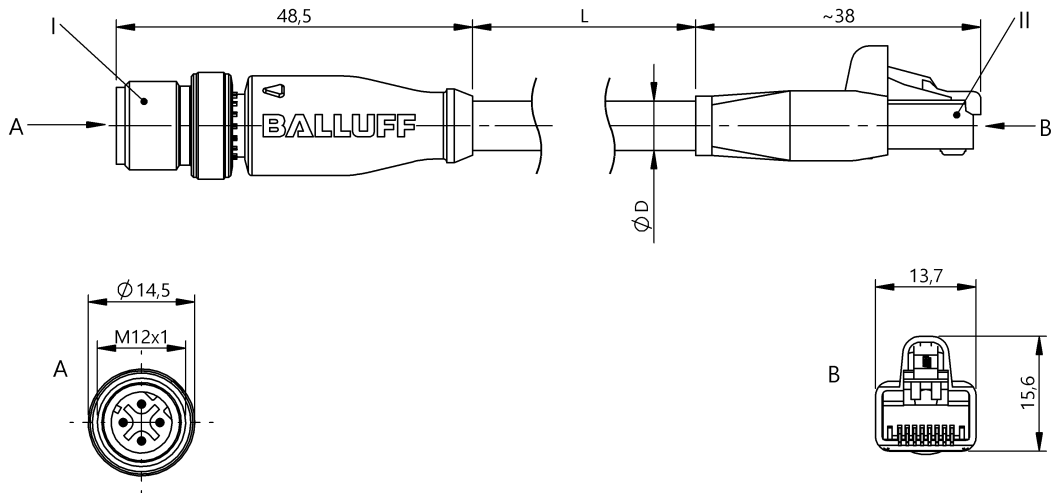


Double-Ended Cordsets
BCC M414-E894-8G-695-EX64N9-200
Order Code: BCC0E2L

BALLUFF



Basic features

Application	Ethernet
Approval/Conformity	CE EAC WEEE

Electrical connection

Bending radius min., flexible cable	10 x D
Cable	TPE teal, 20 m, drag chain compatible
Cable diameter D	5.50 mm ±0.13 mm
Cable, bending cycles min.	1 mil.
Cable, note	Ethernet
Conductor cross-section	24 AWG
Connection 1	M12x1-Male, Straight, 4-pin, D-coded
Connection 2	RJ45-Male, Straight, 4-pin
Number of conductors	4
System	Molded/Molded

Electrical data

Cable rated voltage AC max.	300 V
Cable rated voltage DC max.	300 V
Conductor construction	2x2 twisted-pair
Conductor resistance	≤ 26.0 Ohm/1000 ft
Coupling resistance max.	100 Ohm ±15 Ohm
Operating capacitance	13.5 pF/ft
Operating voltage U _b	42 VDC / 30 VAC
Rated current (40 °C)	1.0 A
Transfer rate	10/100 Mbit/s

Environmental conditions

Cable temperature, flexible routing	-40...105 °C
IP rating	IP67, IP68, IP69K/IP20

Material

Cable jacket, material	TPE
Material contact carrier	PUR/PA
Material contacts	Brass/Phosphor bronze, gold plated
Material cover nut	Brass nickel-plated
Material grip	PUR/PVC

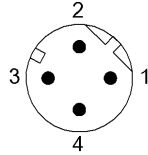
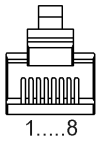
Mechanical data

Cable jacket, color	teal
Cable length L	20.00 m
Cable properties	drag chain compatible
Tightening torque pigtail	0.6 Nm/-

Remarks

Cable construction per UL CMX Outdoor
 Enclosure rating per IEC 60529 or ISO 20653, only in screwed state with the associated mating piece.

Connector Drawings



II
 PIN 1: white/orange
 PIN 2: orange
 PIN 3: white/green
 PIN 4: n.c.
 PIN 5: n.c.
 PIN 6: green
 PIN 7: n.c.
 PIN 8: n.c.

I
 PIN 1: white/orange
 PIN 2: white/green
 PIN 3: orange
 PIN 4: green

Wiring Diagrams

