

Lateral element - UMK-SE 11,25-1



2970442

<https://www.phoenixcontact.com/nz/products/2970442>

Please be informed that the data shown in this PDF document is generated from our Online Catalog. Please find the complete data in the user documentation. Our General Terms of Use for Downloads are valid.

Side element, 11.25 mm wide, without marker groove



Commercial Data

| | |
|--------------------------------------|---------------------|
| Item number | 2970442 |
| Packing unit | 50 pc |
| Minimum order quantity | 50 pc |
| Sales Key | ACHDCA |
| Product Key | ACHDCA |
| Catalog Page | Page 760 (C-1-2013) |
| GTIN | 4017918087722 |
| Weight per Piece (including packing) | 5.497 g |
| Weight per Piece (excluding packing) | 5.497 g |
| Customs tariff number | 39169000 |
| Country of origin | PL |

Lateral element - UMK-SE 11,25-1

2970442

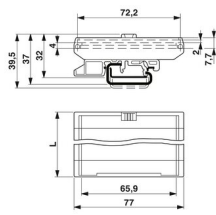
<https://www.phoenixcontact.com/nz/products/2970442>

Technical Data

Product properties

| | |
|----------------|-------------------------------|
| Product type | Panel mounting base side part |
| Type | Lateral element |
| Housing type | Press-drawn section housings |
| Housing series | UMK |

Dimensions

| | |
|---------------------|--|
| Dimensional drawing |  |
| Length | 11.25 mm |

External dimensions

| | |
|--------------------------|-------|
| Profile width (external) | 77 mm |
|--------------------------|-------|

Internal dimensions

| | |
|--------------------------|---------|
| Profile width (internal) | 72.2 mm |
|--------------------------|---------|

Material specifications

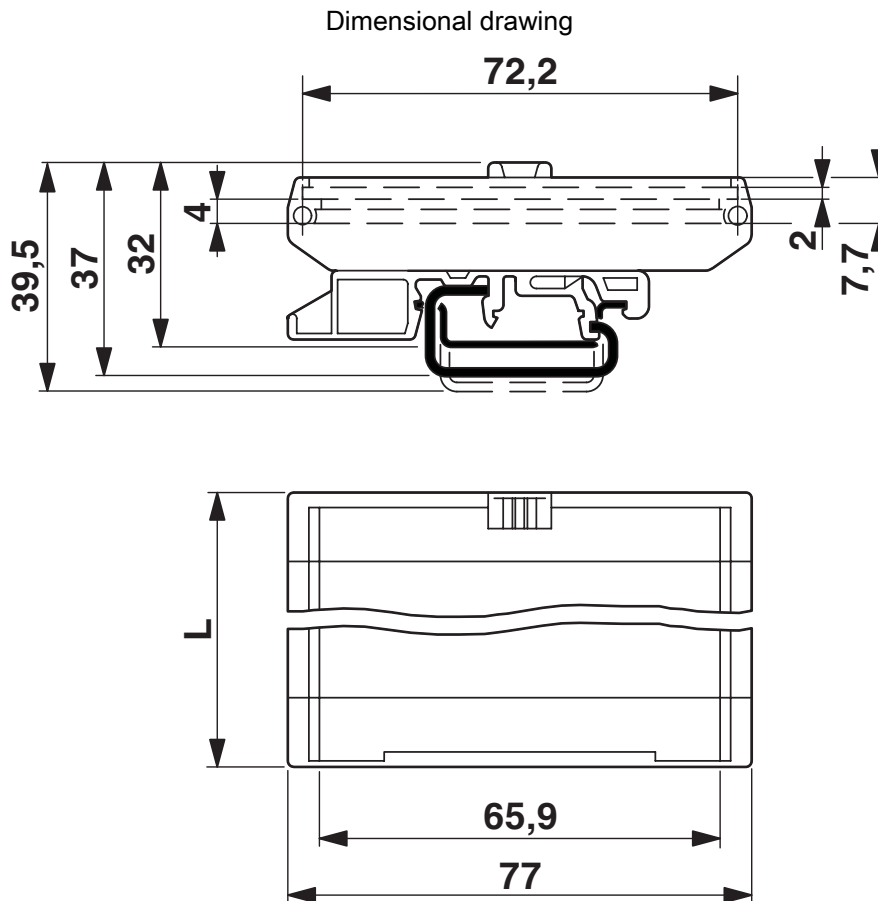
| | |
|--|-----------|
| Color | green |
| Flammability rating according to UL 94 | V2 |
| Housing material | Polyamide |

Lateral element - UMK-SE 11,25-1

2970442

<https://www.phoenixcontact.com/nz/products/2970442>

Drawings



Lateral element - UMK-SE 11,25-1



2970442

<https://www.phoenixcontact.com/nz/products/2970442>

Approvals



EAC

Approval ID: B.01687



UL Recognized

Approval ID: FILE E 240868

Lateral element - UMK-SE 11,25-1



2970442

<https://www.phoenixcontact.com/nz/products/2970442>

Classifications

ECLASS

| | |
|---------------|----------|
| ECLASS-9.0 | 27182701 |
| ECLASS-10.0.1 | 27182701 |
| ECLASS-11.0 | 27182701 |

ETIM

| | |
|----------|----------|
| ETIM 8.0 | EC002779 |
|----------|----------|

UNSPSC

| | |
|-------------|----------|
| UNSPSC 21.0 | 31261500 |
|-------------|----------|

Lateral element - UMK-SE 11,25-1



2970442

<https://www.phoenixcontact.com/nz/products/2970442>

Environmental Product Compliance

| | |
|------------|---|
| China RoHS | Environmentally friendly use period: unlimited = EFUP-e |
| | No hazardous substances above threshold values |

Phoenix Contact 2022 © - all rights reserved
<https://www.phoenixcontact.com>

PHOENIX CONTACT Ltd
Unit 15C, 906-930 Great South Road, Penrose
Auckland 1061
0508 474 636
sales@phoenixcontact.co.nz