

# Foot element - UMK-FE

2970031

<https://www.phoenixcontact.com/nz/products/2970031>

Please be informed that the data shown in this PDF document is generated from our Online Catalog. Please find the complete data in the user documentation. Our General Terms of Use for Downloads are valid.

Foot element, for mounting on DIN rail NS 32 or DIN rail NS 35/7.5, can be inserted between base and side element



## Commercial Data

Item number	2970031
Packing unit	10 pc
Minimum order quantity	10 pc
Sales Key	ACHDCA
Product Key	ACHDCA
Catalog Page	Page 760 (C-1-2013)
GTIN	4017918087562
Weight per Piece (including packing)	5.96 g
Weight per Piece (excluding packing)	5.855 g
Customs tariff number	39269091
Country of origin	PL

# Foot element - UMK-FE

2970031

<https://www.phoenixcontact.com/nz/products/2970031>



## Technical Data

### Product properties

Product type	Base latches
Housing type	Press-drawn section housings
Housing series	UMK

### Material specifications

Surface characteristics	untreated
Housing material	Polyamide

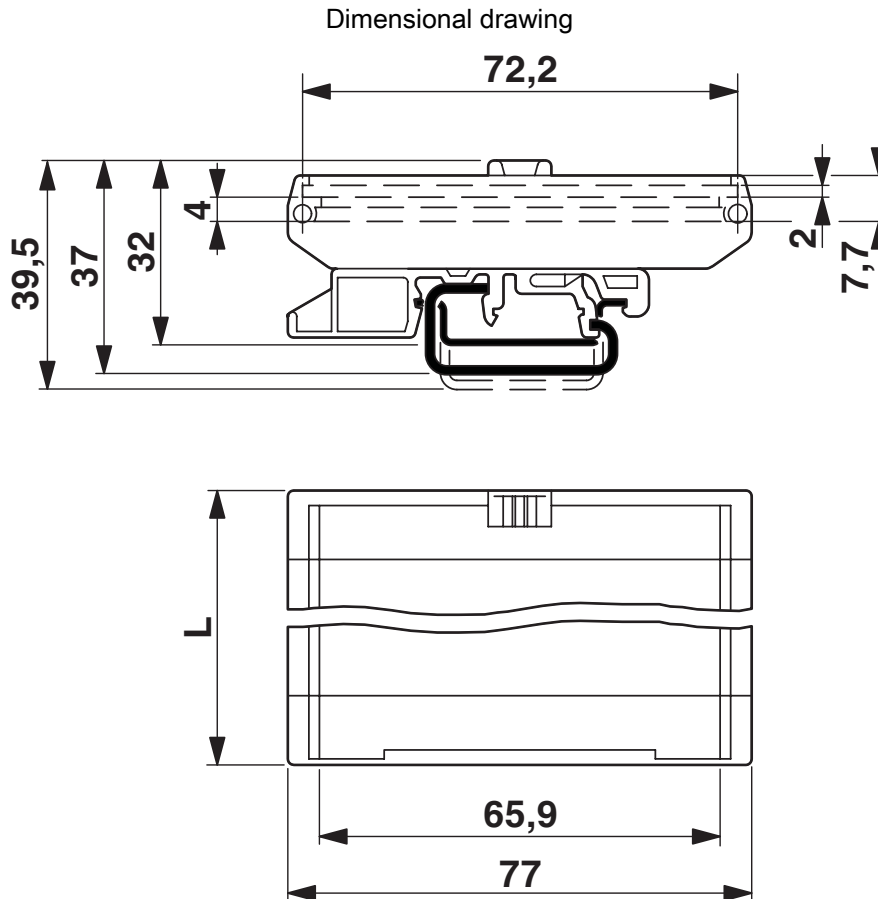
# Foot element - UMK-FE

2970031

<https://www.phoenixcontact.com/nz/products/2970031>



## Drawings



# Foot element - UMK-FE



2970031

<https://www.phoenixcontact.com/nz/products/2970031>

## Approvals



**EAC**

Approval ID: B.01687



**UL Recognized**

Approval ID: FILE E 240868

# Foot element - UMK-FE



2970031

<https://www.phoenixcontact.com/nz/products/2970031>

## Classifications

### ECLASS

ECLASS-11.0

27182701

### ETIM

ETIM 8.0

EC002779

### UNSPSC

UNSPSC 21.0

31261500

# Foot element - UMK-FE

2970031

<https://www.phoenixcontact.com/nz/products/2970031>



## Environmental Product Compliance

China RoHS	Environmentally friendly use period: unlimited = EFUP-e
	No hazardous substances above threshold values

Phoenix Contact 2022 © - all rights reserved  
<https://www.phoenixcontact.com>

PHOENIX CONTACT Ltd  
Unit 15C, 906-930 Great South Road, Penrose  
Auckland 1061  
0508 474 636  
[sales@phoenixcontact.co.nz](mailto:sales@phoenixcontact.co.nz)