

Base element - UMK-BE 22,5



2970028

<https://www.phoenixcontact.com/nz/products/2970028>

Please be informed that the data shown in this PDF document is generated from our Online Catalog. Please find the complete data in the user documentation. Our General Terms of Use for Downloads are valid.

Electronic board base, plug-in module base element



Commercial Data

Item number	2970028
Packing unit	10 pc
Minimum order quantity	10 pc
Sales Key	ACHDCA
Product Key	ACHDCA
Catalog Page	Page 760 (C-1-2013)
GTIN	4017918087555
Weight per Piece (including packing)	9.39 g
Weight per Piece (excluding packing)	9.39 g
Customs tariff number	85472000
Country of origin	PL

Base element - UMK-BE 22,5

2970028

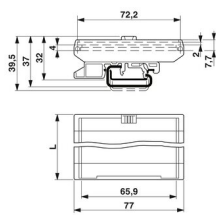
<https://www.phoenixcontact.com/nz/products/2970028>

Technical Data

Product properties

Type	Module width 22,5 mm, since the housing can remain open at the top, it is possible for parts to protrude above the actual profile height
Product type	Component housing lower part
Type	Plug-in module base element
Housing type	Press-drawn section housings
Ventilation openings present	no
Housing series	UMK

Dimensions

Dimensional drawing	
Depth	15.5 mm
Length	22.5 mm

External dimensions

Profile width (external)	77 mm
--------------------------	-------

Internal dimensions

Profile width (internal)	72.2 mm
--------------------------	---------

Material specifications

Color	green (6021)
Flammability rating according to UL 94	V2
Surface characteristics	untreated
Housing material	Polyamide

Environmental and real-life conditions

Ambient conditions

Ambient temperature (operation)	-40 °C ... 105 °C (depending on power dissipation)
Ambient temperature (storage/transport)	-40 °C ... 55 °C
Ambient temperature (assembly)	-5 °C ... 100 °C
Relative humidity (storage/transport)	80 %

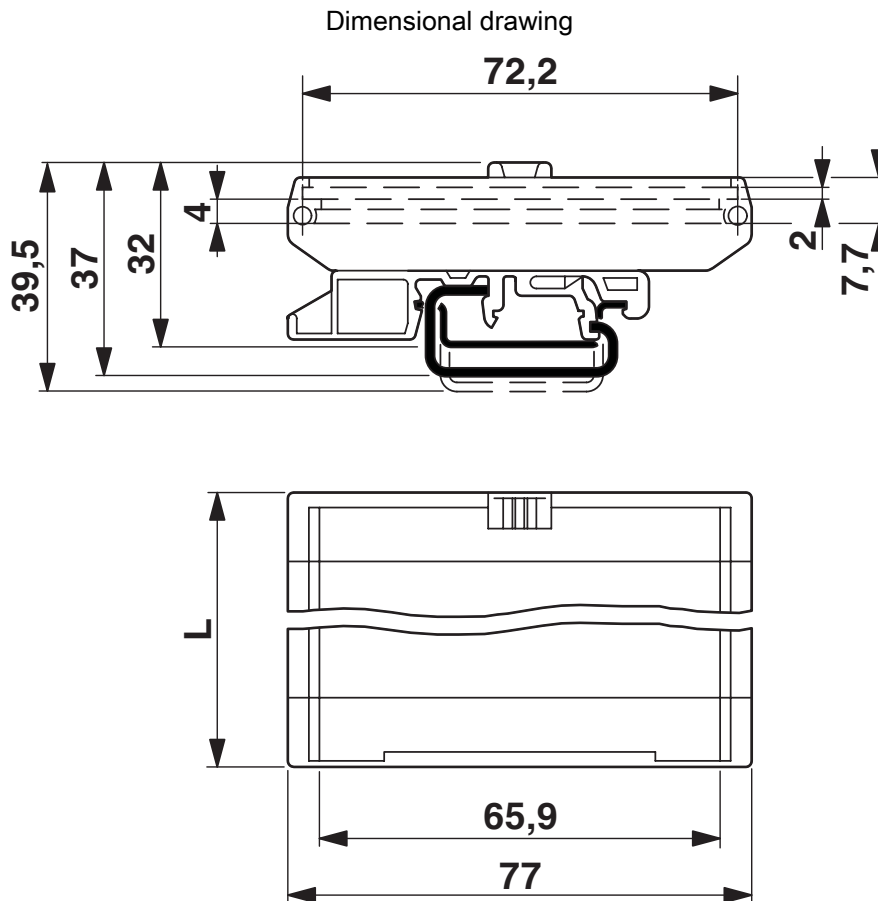
Base element - UMK-BE 22,5

2970028

<https://www.phoenixcontact.com/nz/products/2970028>



Drawings



Base element - UMK-BE 22,5



2970028

<https://www.phoenixcontact.com/nz/products/2970028>

Approvals



EAC

Approval ID: B.01687



UL Recognized

Approval ID: FILE E 240868

Base element - UMK-BE 22,5



2970028

<https://www.phoenixcontact.com/nz/products/2970028>

Classifications

ECLASS

ECLASS-9.0	27182701
ECLASS-11.0	27182701

ETIM

ETIM 8.0	EC002779
----------	----------

UNSPSC

UNSPSC 21.0	31261500
-------------	----------

Base element - UMK-BE 22,5

2970028

<https://www.phoenixcontact.com/nz/products/2970028>



Environmental Product Compliance

China RoHS	Environmentally friendly use period: unlimited = EFUP-e
	No hazardous substances above threshold values

Base element - UMK-BE 22,5

2970028

<https://www.phoenixcontact.com/nz/products/2970028>



Accessories

Base element

Base element - UMK-BE 45 - 2970015

<https://www.phoenixcontact.com/nz/products/2970015>

Electronic board base, plug-in module base element



Foot element

Foot element - UMK-FE - 2970031

<https://www.phoenixcontact.com/nz/products/2970031>

Foot element, for mounting on DIN rail NS 32 or DIN rail NS 35/7.5, can be inserted between base and side element



Base element - UMK-BE 22,5

2970028

<https://www.phoenixcontact.com/nz/products/2970028>



Base element

Base element - UMK-BE 11,25 - 2971535

<https://www.phoenixcontact.com/nz/products/2971535>

Electronic board base, plug-in module base element



Mounting flange

Mounting flange - UMK-BF - 2976077

<https://www.phoenixcontact.com/nz/products/2976077>

Mounting flange, for mounting directly on the wall



Phoenix Contact 2022 © - all rights reserved
<https://www.phoenixcontact.com>

PHOENIX CONTACT Ltd
Unit 15C, 906-930 Great South Road, Penrose
Auckland 1061
0508 474 636
sales@phoenixcontact.co.nz