

Electronic housing - UEGM 25



2792015

<https://www.phoenixcontact.com/nz/products/2792015>

Please be informed that the data shown in this PDF document is generated from our Online Catalog. Please find the complete data in the user documentation. Our General Terms of Use for Downloads are valid.

Electronic housing, for PCB insertion, fully equipped with 3 screw or 6 tab connections per side



Commercial Data

Item number	2792015
Packing unit	10 pc
Minimum order quantity	10 pc
Sales Key	ACHCCB
Product Key	ACHCCB
Catalog Page	Page 724 (C-1-2013)
GTIN	4017918072520
Weight per Piece (including packing)	57.2 g
Weight per Piece (excluding packing)	57.2 g
Customs tariff number	39269091
Country of origin	DE

Technical Data

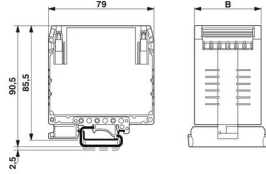
Product properties

Type	Connection system integrated, housing closed
Product type	Complete housing
Number of positions	6
Pitch	5 mm
Number of rows	1
Type	Complete housing equipped with 3 screw connections per side
Housing type	Component housing
Housing series	UEGM
Pin layout	Linear pinning

Electrical properties

Nominal voltage U_N	500 V (Voltage and current values are affected by the configuration of the printed circuit board.)
Nominal current I_N	10 A

Dimensions

Dimensional drawing	
Width	25 mm
Installed height	85.5 mm
Height NS 35/7,5	85.5 mm
Depth	79 mm
Length	79 mm
Pitch	5 mm

Material specifications

Color	green
Flammability rating according to UL 94	V2
Surface characteristics	untreated
Housing material	Polyamide

Environmental and real-life conditions

Ambient conditions

Ambient temperature (operation)	-40 °C ... 105 °C
---------------------------------	-------------------

Mounting

Electronic housing - UEGM 25

2792015

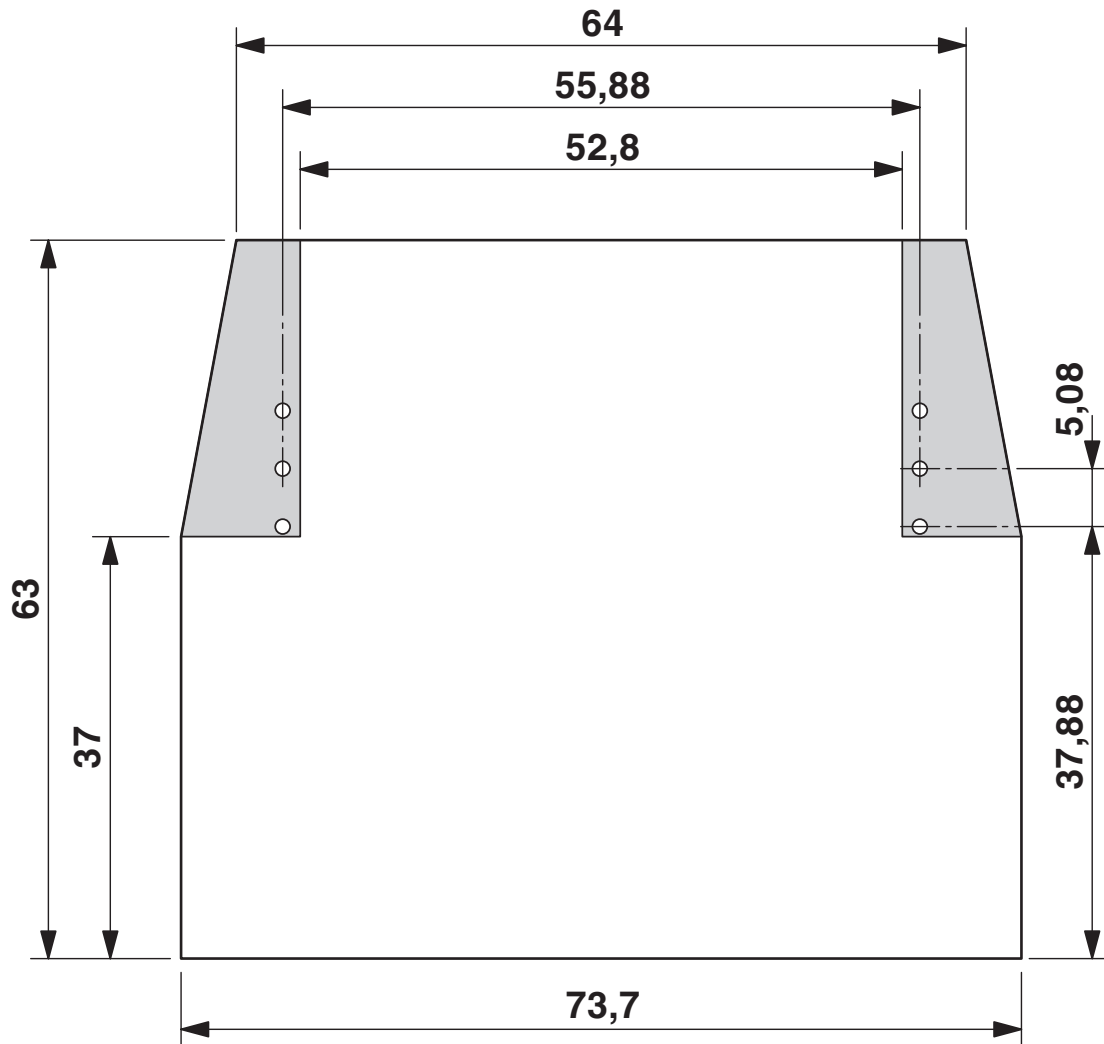
<https://www.phoenixcontact.com/nz/products/2792015>



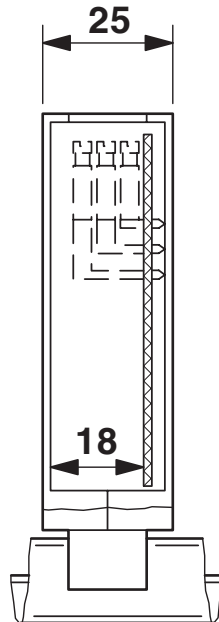
Mounting type	DIN rail mounting
Pin layout	Linear pinning

Drawings

Dimensional drawing

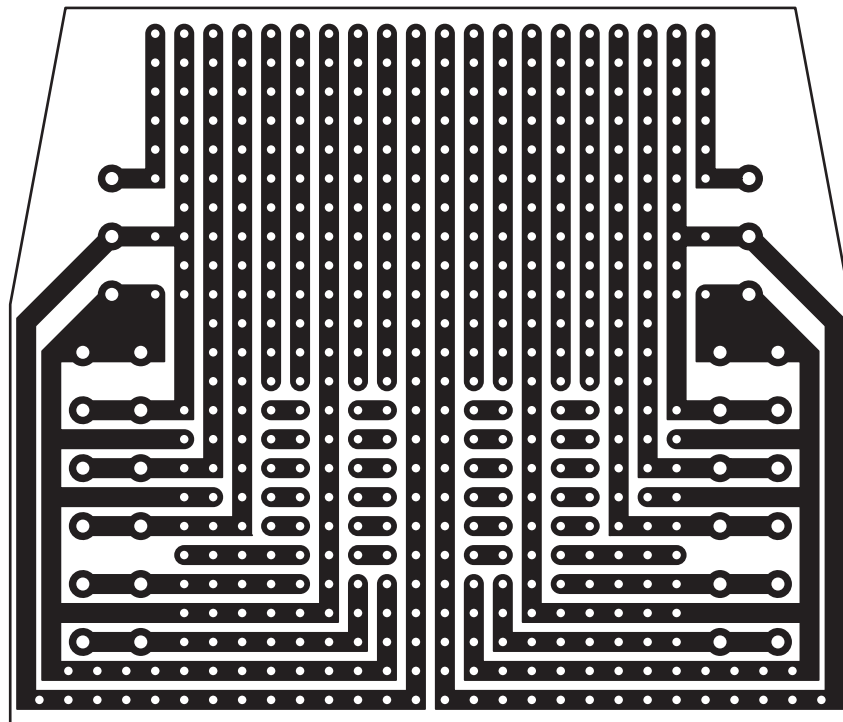


Dimensional drawing



UEGM 25... und UEGM 27,5-SMD with 1 PCB, 6 positions or 12 positions (FS/FS)

Schematic diagram



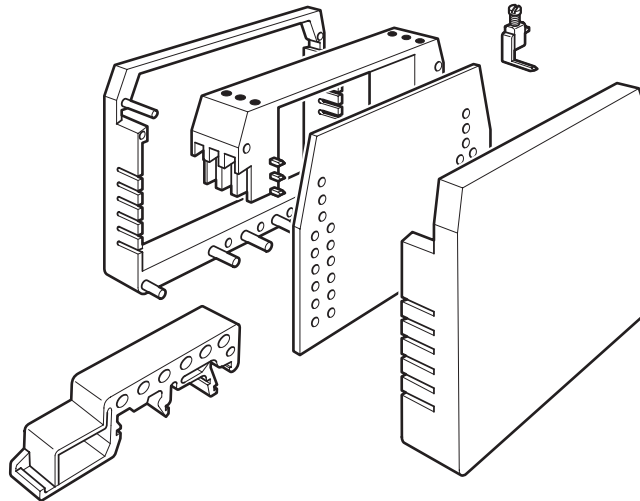
Electronic housing - UEGM 25

2792015

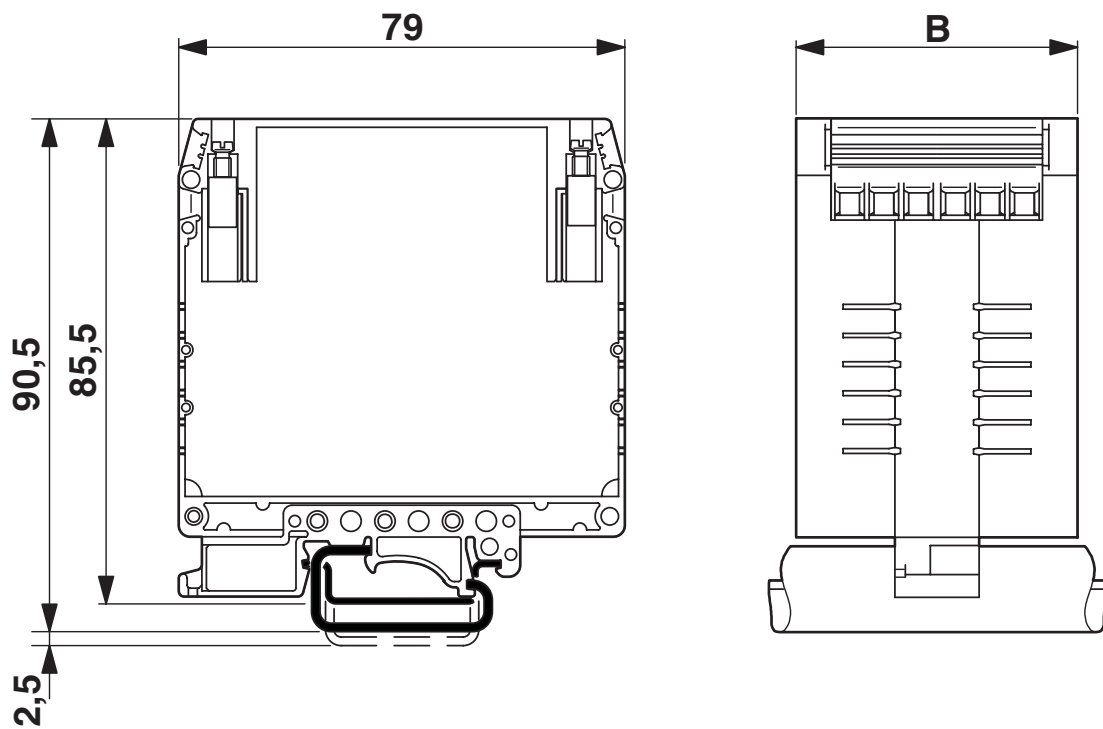
<https://www.phoenixcontact.com/nz/products/2792015>



Exploded view



Dimensional drawing



Electronic housing - UEGM 25



2792015

<https://www.phoenixcontact.com/nz/products/2792015>

Approvals



EAC

Approval ID: B.01687



cULus Recognized

Approval ID: E60425-19770427

	Nominal Voltage U_N	Nominal Current I_N	Cross Section AWG	Cross Section mm^2
Use group B				
	300 V	10 A	30 - 12	-
Use group D				
	300 V	10 A	30 - 12	-

Electronic housing - UEGM 25



2792015

<https://www.phoenixcontact.com/nz/products/2792015>

Classifications

ECLASS

ECLASS-9.0	27182702
ECLASS-10.0.1	27182702
ECLASS-11.0	27182702

ETIM

ETIM 8.0	EC001031
----------	----------

UNSPSC

UNSPSC 21.0	31261500
-------------	----------

Electronic housing - UEGM 25

2792015

<https://www.phoenixcontact.com/nz/products/2792015>



Environmental Product Compliance

China RoHS	Environmentally friendly use period: unlimited = EFUP-e
	No hazardous substances above threshold values

Electronic housing - UEGM 25

2792015

<https://www.phoenixcontact.com/nz/products/2792015>



Accessories

Wire bridge

Wire bridge - DB 50- 90 GY - 2820929

<https://www.phoenixcontact.com/nz/products/2820929>

Flexible wire loop bridge, 50-pos., conductor cross-section: 0.5 mm², loop length: 90 mm, ferrule length: 8 mm, color: gray



Phoenix Contact 2022 © - all rights reserved
<https://www.phoenixcontact.com>

PHOENIX CONTACT Ltd
Unit 15C, 906-930 Great South Road, Penrose
Auckland 1061
0508 474 636
sales@phoenixcontact.co.nz