

Repeater - PSI-REP-DNET CAN



2313423

<https://www.phoenixcontact.com/pc/products/2313423>

Please be informed that the data shown in this PDF document is generated from our Online Catalog. Please find the complete data in the user documentation. Our General Terms of Use for Downloads are valid.



Modular repeater for electrical isolation and increasing the range for DeviceNet/SDS/CANopen, data rate of up to 1 Mbps. High-quality electrical isolation between the interfaces, DIN-rail mountable, 24 V DC supply.

Product Description

The performance and availability of bus systems can be significantly increased by using repeaters. In addition to electrical isolation, bus segmentation with repeaters makes it possible to multiply the permissible coverage of the network and to extend the number of devices.

Your advantages

- Automatic data rate detection or fixed data rate setting via DIP switches
- Data rates of up to 1 Mbps
- High-quality 4-way isolation between all interfaces
- Can be combined with PSI-MOS FO converters in a modular way thanks to DIN rail connectors
- All connections can be plugged in using a COMBICON screw terminal block
- Approved for use in zone 2
- Shipbuilding approval in accordance with DNV GL

Commercial Data

Item number	2313423
Packing unit	1 pc
Minimum order quantity	1 pc
Product Key	DNC123
Catalog Page	Page 423 (C-6-2019)
GTIN	4046356428392
Weight per Piece (including packing)	233.466 g
Weight per Piece (excluding packing)	233.466 g
Customs tariff number	85176200
Country of origin	DE

Technical Data

Notes

Utilization restriction

EMC note	EMC: class A product, see manufacturer's declaration in the download area
----------	---

Utilization restriction

CCCex note	Use in potentially explosive areas is not permitted in China.
------------	---

Product properties

Product type	Interface converter
MTTF	1091 Years (SN 29500 standard, temperature 25°C, operating cycle 21%)
	514 Years (SN 29500 standard, temperature 40°C, operating cycle 34.25%)
	208 Years (SN 29500 standard, temperature 40°C, operating cycle 100%)
MTBF	823 Years (Telcordia standard, 25°C temperature, 21% operating cycle (5 days a week, 8 hours a day))
	170 Years (Telcordia standard, 40°C temperature, 34.25% operating cycle (5 days a week, 12 hours a day))

Electrical properties

Electrical isolation	VCC // TBUS // CAN A // CAN B
Maximum power dissipation for nominal condition	1.32 W
Test voltage data interface/power supply	1.5 kV _{rms} (50 Hz, 1 min.)

Supply

Supply voltage range	10 V DC ... 30 V DC (via pluggable COMBICON screw terminal block)
Nominal supply voltage	24 V DC
Typical current consumption	55 mA (24 V DC)
Max. current consumption	80 mA
	≤ 2 A (For operation in a joining station, via the DIN rail connector)

Function

Status and diagnostic indicators	LEDs: VCC (supply voltage), NET A (Mod/Net status port A), NET B (Mod/Net status port B), ACT (activity/data traffic)
----------------------------------	---

Output data

Switching

Output name	Relay output
Number of outputs	1
Contact type	N/O contact
Minimum switching voltage	10 V DC

Repeater - PSI-REP-DNET CAN



2313423

<https://www.phoenixcontact.com/pc/products/2313423>

Maximum switching voltage	30 V DC
Limiting continuous current	500 mA

Connection data

Supply

Tightening torque	0.56 Nm ... 0.79 Nm
-------------------	---------------------

Interfaces

Bit distortion, input	± 35 %
Bit distortion, output	< 6.25 %
Bit delay	One telegram length (EXTENDED)
Signal	CAN
	CANopen [®]
	DeviceNet [™]

Data: CAN interface, in accordance with ISO/IS 11898 for DeviceNet, CAN, CANopen

Transmission speed	≤ 1 Mbps (Configurable via DIP switches)
Connection method	COMBICON plug-in screw terminal block
No. of channels	2 (CAN_High / CAN_Low)
Transmission length	≤ 5000 m (Dependent on the data rate and the protocol used)
Number of bus devices	≤ 64 (per potential segment)
	≤ 63 (DeviceNet [™] , can be addressed logically)
	≤ 128 (CANopen [®] , can be addressed logically)
Termination resistor	124 Ω (Integrated and ready to be switched)
Conductor cross section flexible max.	2.5 mm ²
Conductor cross section flexible min.	0.2 mm ²
Conductor cross section solid max.	2.5 mm ²
Conductor cross section solid min.	0.2 mm ²
Max. AWG conductor cross section, flexible	14
Min. AWG conductor cross section, flexible	24
Single-wire/terminal point, solid AWG max.	14
Single-wire/terminal point, solid AWG min.	24
Transmission medium	2-wire twisted pair, shielded
Transmission method	CSMA/CA
File format/coding	Bit stuffing, NRZ

Data: CAN interface, in accordance with ISO/IS 11898 for DeviceNet, CAN, CANopen

Transmission speed	≤ 1 Mbps (Configurable via DIP switches)
Connection method	COMBICON plug-in screw terminal block
No. of channels	2 (CAN_High / CAN_Low)
Transmission length	≤ 5000 m (Dependent on the data rate and the protocol used)
Number of bus devices	≤ 64 (per potential segment)
	≤ 63 (DeviceNet [™] , can be addressed logically)
	≤ 128 (CANopen [®] , can be addressed logically)
Termination resistor	124 Ω (Integrated and ready to be switched)

Repeater - PSI-REP-DNET CAN

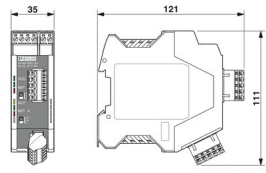


2313423

<https://www.phoenixcontact.com/pc/products/2313423>

Conductor cross section flexible max.	2.5 mm ²
Conductor cross section flexible min.	0.2 mm ²
Conductor cross section solid max.	2.5 mm ²
Conductor cross section solid min.	0.2 mm ²
Conductor cross section AWG max.	14
Conductor cross section AWG min.	24
Transmission medium	2-wire twisted pair, shielded
Transmission method	CSMA/CA
File format/coding	Bit stuffing, NRZ

Dimensions

Dimensional drawing	
Width	35 mm
Height	111 mm
Depth	121 mm

Material specifications

Material	PA 6.6-FR (Housing)
----------	---------------------

Environmental and real-life conditions

Ambient conditions

Degree of protection	IP20
Ambient temperature (operation)	-20 °C ... 60 °C
Ambient temperature (storage/transport)	-40 °C ... 85 °C
Altitude	≤ 5000 m (For restrictions, see the manufacturer's declaration for altitude operation)
Permissible humidity (operation)	30 % ... 95 % (non-condensing)

Approval data

CE

Certificate	CE-compliant
-------------	--------------

EAC

Identification	EAC
----------------	-----

ATEX

Identification	□ II 3 G Ex nA IIC T4 Gc X
Note	Please follow the special installation instructions in the documentation!

UL, USA / Canada

Repeater - PSI-REP-DNET CAN



2313423

<https://www.phoenixcontact.com/pc/products/2313423>

Identification	508 Listed
----------------	------------

Corrosive gas test

Identification	ISA-S71.04-1985 G3 Harsh Group A
----------------	----------------------------------

Shipbuilding

Identification	DNV GL
----------------	--------

DNV GL data

Temperature	B
Humidity	A
Vibration	A
EMC	B
Enclosure	Required protection according to the Rules shall be provided upon installation on board

EMC data

Electromagnetic compatibility	Conformance with EMC Directive 2014/30/EU
Noise emission	EN 55011
Noise immunity	EN 61000-6-2

Electrostatic discharge

Standards/regulations	EN 61000-4-2
-----------------------	--------------

Electrostatic discharge

Contact discharge	± 6 kV
Discharge in air	± 8 kV
Comments	Criterion B

Electromagnetic HF field

Standards/regulations	EN 61000-4-3
-----------------------	--------------

Electromagnetic HF field

Frequency range	80 MHz ... 3 GHz
Field intensity	10 V/m
Comments	Criterion A

Fast transients (burst)

Standards/regulations	EN 61000-4-4
-----------------------	--------------

Fast transients (burst)

Input	± 2 kV
Signal	± 2 kV
Comments	Criterion B

Surge current load (surge)

Standards/regulations	EN 61000-4-5
-----------------------	--------------

Surge current load (surge)

Repeater - PSI-REP-DNET CAN



2313423

<https://www.phoenixcontact.com/pc/products/2313423>

Input	± 0.5 kV
Signal	± 1 kV
Comments	Criterion B

Conducted interference

Standards/regulations	EN 61000-4-6
-----------------------	--------------

Conducted interference

Comments	Criterion A
Voltage	10 V

Emitted interference

Standards/regulations	EN 55011
Comments	Class A, industrial applications
Criterion A	Normal operating behavior within the specified limits.
Criterion B	Temporary impairment to operational behavior that is corrected by the device itself.

Standards and regulations

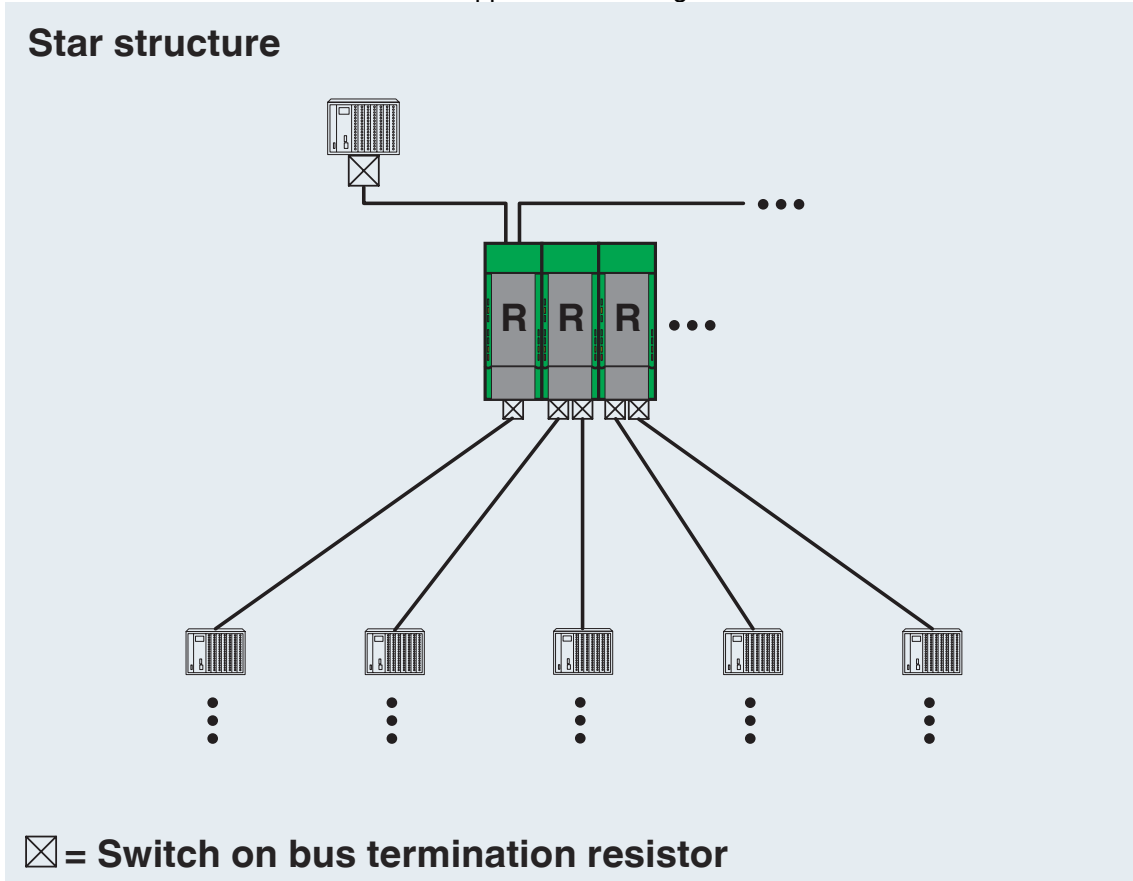
Free from substances that could impair the application of coating	in accordance with VW-AUDI-Seat central standard P-VW 3.10.7 57 65 0
---	--

Mounting

Mounting type	DIN rail mounting
---------------	-------------------

Drawings

Application drawing



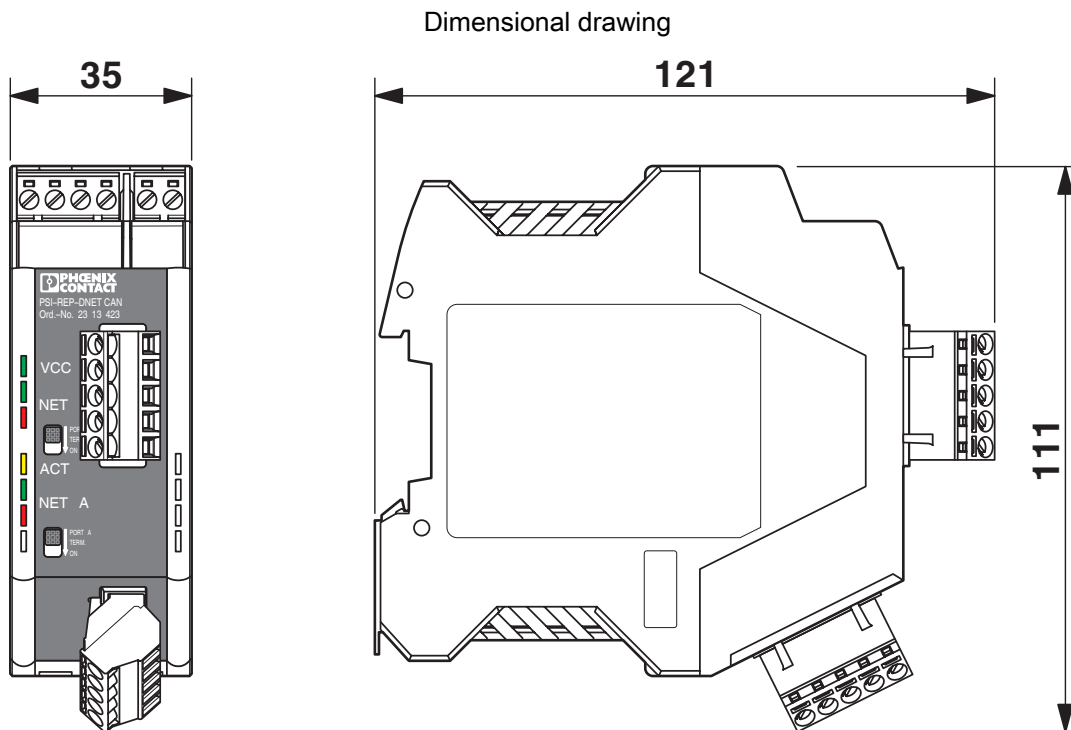
Star structure

Repeater - PSI-REP-DNET CAN



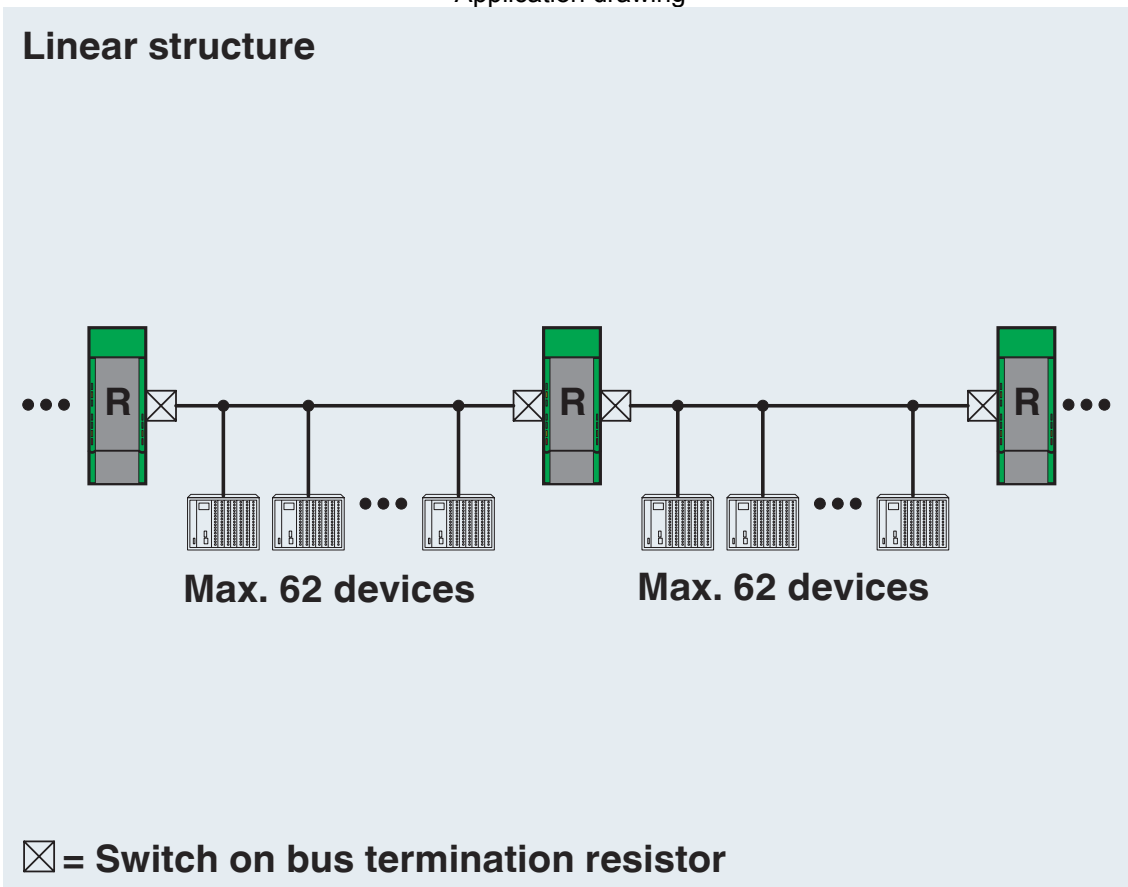
2313423

<https://www.phoenixcontact.com/pc/products/2313423>



Housing dimensions

Application drawing



Line structure

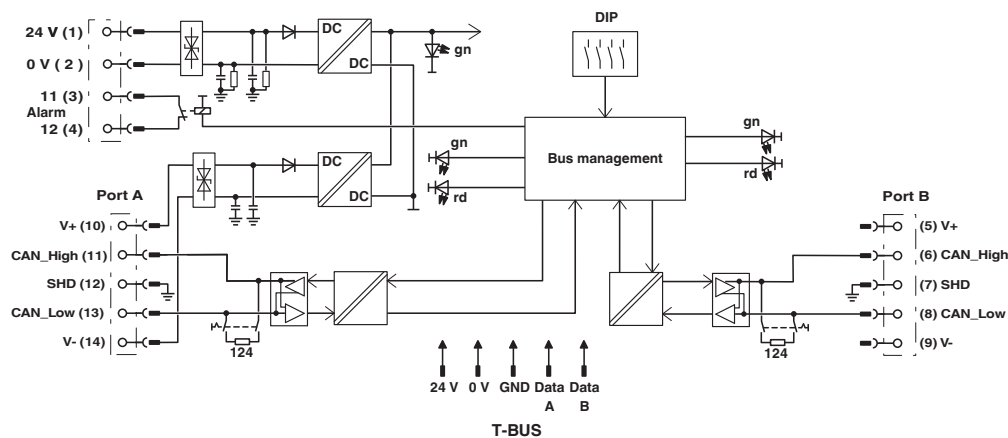
Repeater - PSI-REP-DNET CAN



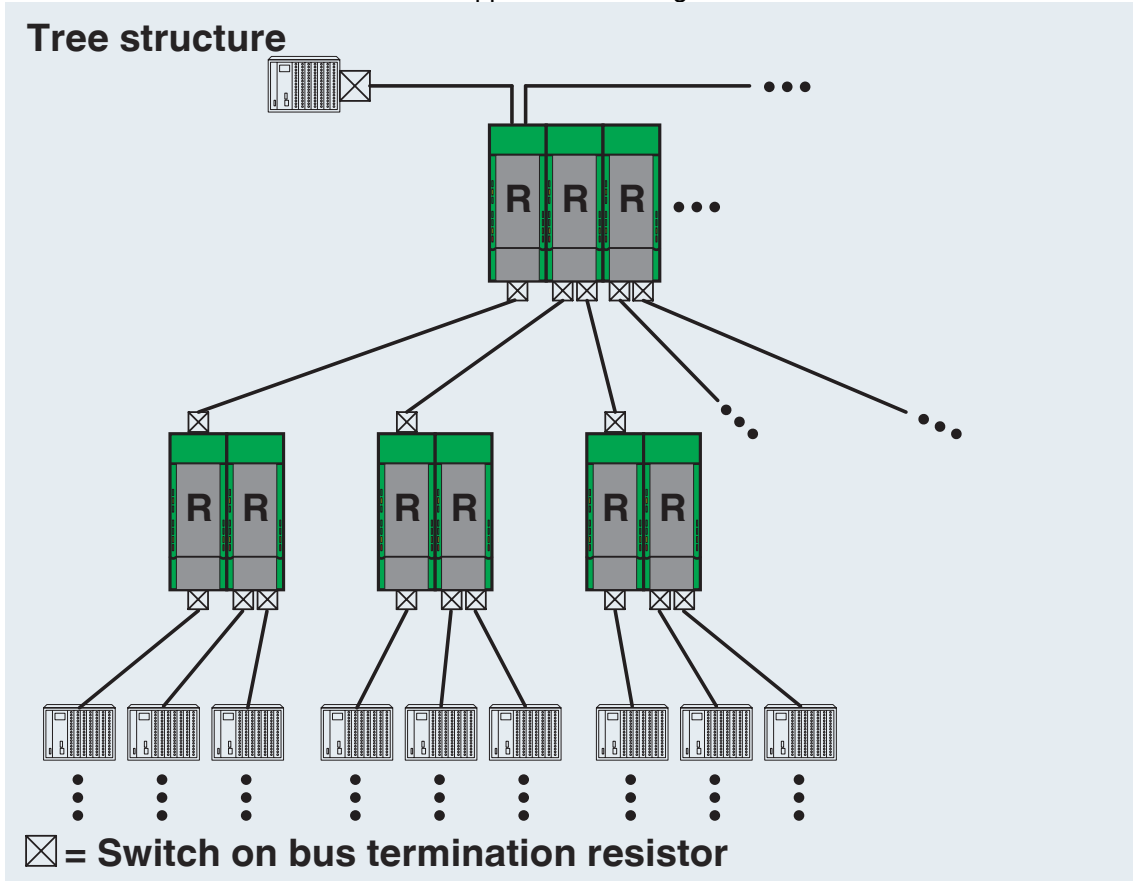
2313423

<https://www.phoenixcontact.com/pc/products/2313423>

Circuit diagram



Application drawing



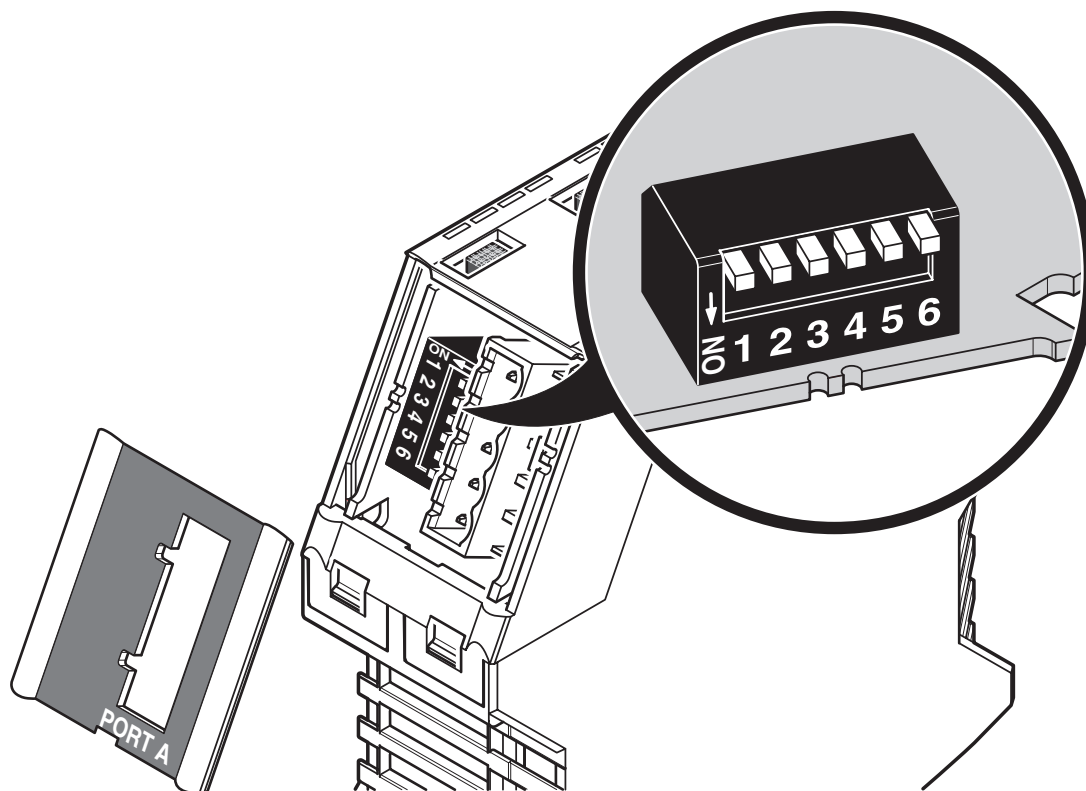
Tree structure

Repeater - PSI-REP-DNET CAN

2313423

<https://www.phoenixcontact.com/pc/products/2313423>

Schematic diagram



DIP switches

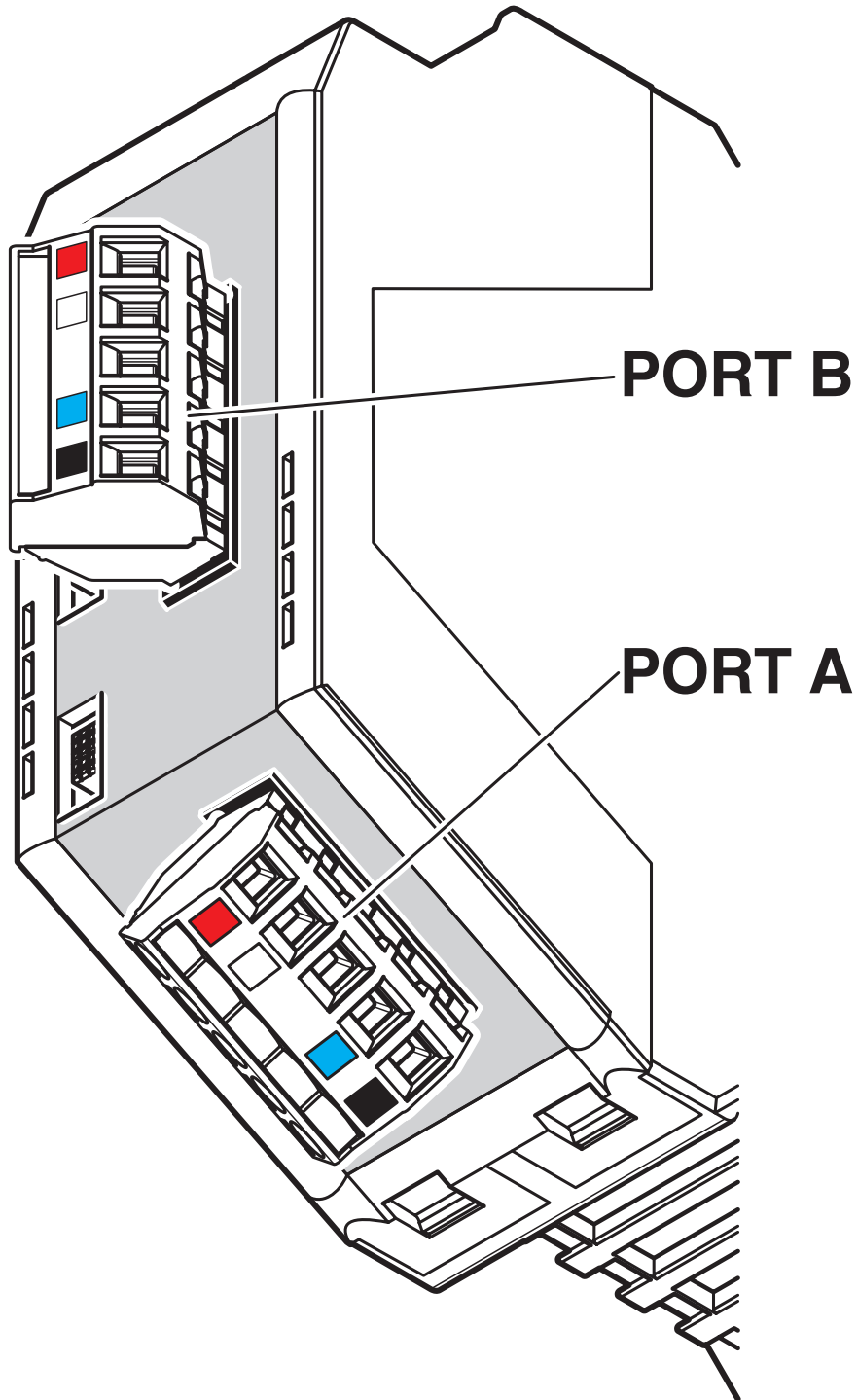
Repeater - PSI-REP-DNET CAN

2313423

<https://www.phoenixcontact.com/pc/products/2313423>



Schematic diagram



Device connections

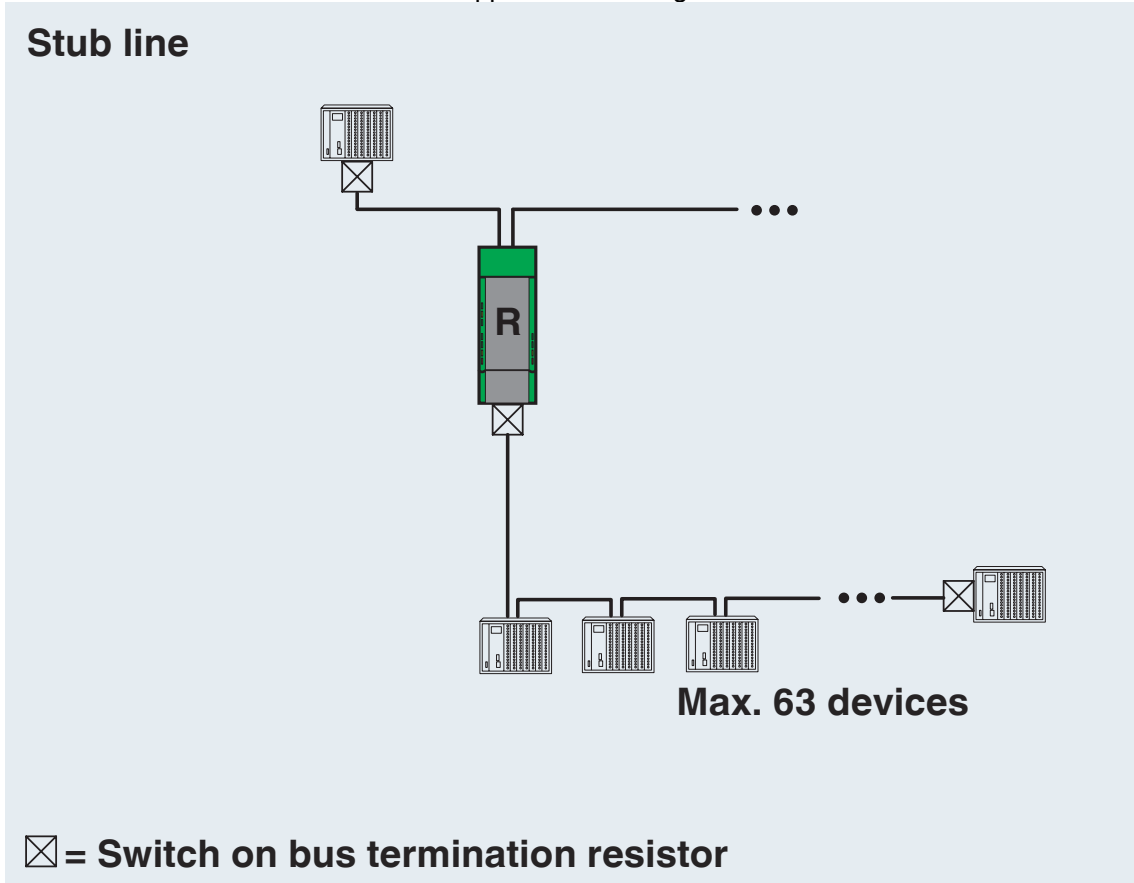
Repeater - PSI-REP-DNET CAN

2313423

<https://www.phoenixcontact.com/pc/products/2313423>



Application drawing

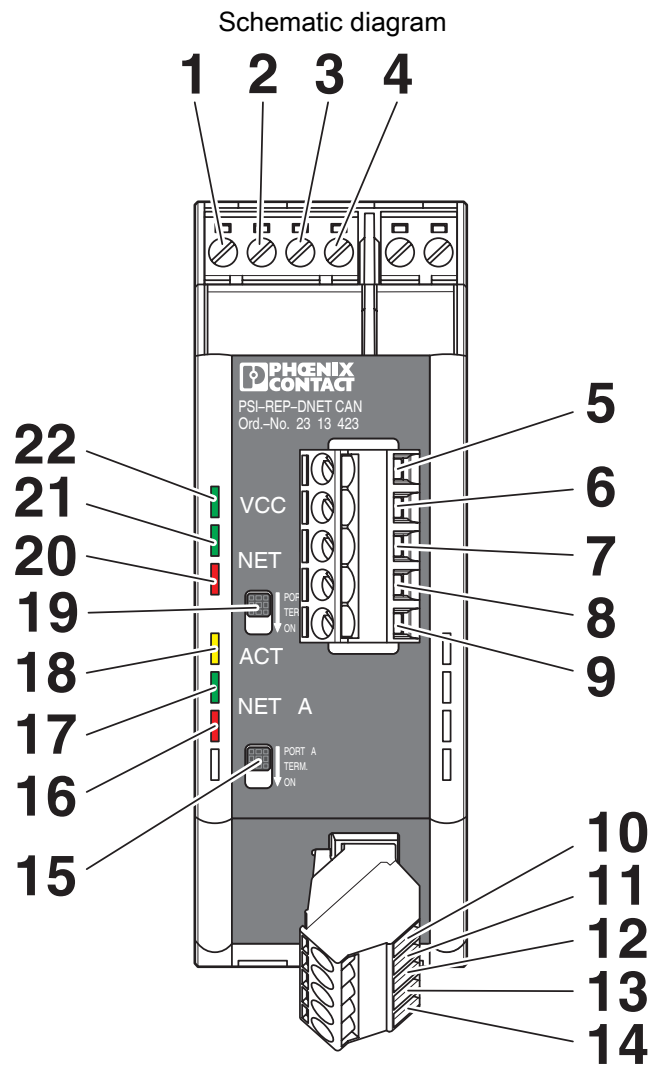


Branch line

Repeater - PSI-REP-DNET CAN

2313423

<https://www.phoenixcontact.com/pc/products/2313423>



Front view

Repeater - PSI-REP-DNET CAN



2313423

<https://www.phoenixcontact.com/pc/products/2313423>

Approvals



EAC

Approval ID: EAC-Zulassung



DNV GL

Approval ID: TAA00001KR

Nominal Voltage U_N

Nominal Current I_N

Cross Section AWG

Cross Section mm^2

-

-



EAC

Approval ID: RU *-DE.A*30.B.01735



UL Listed

Approval ID: FILE E 238705



cUL Listed

Approval ID: FILE E 238705



ATEX

Approval ID: PxCIF07ATEX2313533X

cULus Listed

Repeater - PSI-REP-DNET CAN



2313423

<https://www.phoenixcontact.com/pc/products/2313423>

Classifications

ECLASS

ECLASS-9.0	27242208
ECLASS-10.0.1	27242208
ECLASS-11.0	27242208

ETIM

ETIM 8.0	EC001423
----------	----------

UNSPSC

UNSPSC 21.0	32151700
-------------	----------

Repeater - PSI-REP-DNET CAN



2313423

<https://www.phoenixcontact.com/pc/products/2313423>

Environmental Product Compliance

REACH SVHC	Lead 7439-92-1
China RoHS	Environmentally Friendly Use Period = 50 years
	For information on hazardous substances, refer to the manufacturer's declaration available under "Downloads"

Repeater - PSI-REP-DNET CAN

2313423

<https://www.phoenixcontact.com/pc/products/2313423>



Accessories

Power supply unit

Power supply unit - QUINT4-SYS-PS/1AC/24DC/2.5/SC - 2904614

<https://www.phoenixcontact.com/pc/products/2904614>

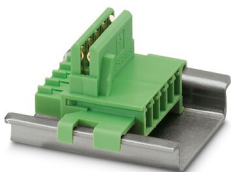


Primary-switched power supply unit, QUINT POWER, Screw connection, DIN rail mounting, input: 1-phase, output: 24 V DC / 2.5 A

DIN rail bus connectors

DIN rail bus connectors - ME 17,5 TBUS 1,5/ 5-ST-3,81 GN - 2709561

<https://www.phoenixcontact.com/pc/products/2709561>



DIN rail connector for DIN rail mounting. Universal for TBUS housing. Gold-plated contacts, 5-pos.

Repeater - PSI-REP-DNET CAN

2313423

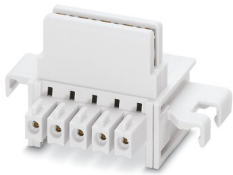
<https://www.phoenixcontact.com/pc/products/2313423>



DIN rail bus connectors

DIN rail bus connectors - ME 17,5 TBUS 1,5/ 5-ST-3,81 KMGY - 2713645

<https://www.phoenixcontact.com/pc/products/2713645>



DIN rail connector, color: light grey, nominal current: 8 A (parallel contacts), rated voltage (III/2): 125 V, number of positions: 5, pitch: 3.81 mm, mounting: DIN rail mounting, locking: without, mounting: without, type of packaging: packed in cardboard, Item with gold-plated contacts, bus connectors for connecting with electronics housings, 5 parallel contacts

Bus system cable

Bus system cable - SAC-5P-920/... - 1511504

<https://www.phoenixcontact.com/pc/products/1511504>



Bus system cable, CANopen[®], DeviceNet[™], 4-position halogen-free, shielded, cable length: Free entry (0.5 ... 400 m)

Repeater - PSI-REP-DNET CAN



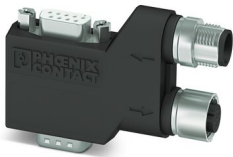
2313423

<https://www.phoenixcontact.com/pc/products/2313423>

D-SUB bus connector

D-SUB bus connector - SUBCON-PLUS-CAN/90/PG/M12 - 2902322

<https://www.phoenixcontact.com/pc/products/2902322>



D-SUB plug, 9-pos., socket, with PG-D-SUB pin, assignment: 2, 3, 5, 6, 7, 9; two 90° cable entries M12 (A-coded). Bus system: CAN, CANopen[®]. Termination resistor via separate M12 terminator.

D-SUB bus connector

D-SUB bus connector - SUBCON-PLUS-CAN/90/M12 - 2902323

<https://www.phoenixcontact.com/pc/products/2902323>



D-SUB plug, 9-pos., socket, assignment: 2, 3, 5, 6, 7, 9; two 90° cable entries M12 (A-coded). Bus system: CAN, CANopen[®]. Termination resistor via separate M12 terminator. Long version; S7-compatible.

Repeater - PSI-REP-DNET CAN

2313423

<https://www.phoenixcontact.com/pc/products/2313423>

D-SUB bus connector

D-SUB bus connector - SUBCON-PLUS-CAN/35/PG/M12 - 2902324

<https://www.phoenixcontact.com/pc/products/2902324>



D-SUB plug, 9-pos., socket, with PG-D-SUB pin, assignment: 2, 3, 5, 6, 7, 9; two 35° cable entries M12 (A-coded). Bus system: CAN, CANopen®. Termination resistor via separate M12 terminator.

D-SUB bus connector

D-SUB bus connector - SUBCON-PLUS-CAN/35/M12 - 2902325

<https://www.phoenixcontact.com/pc/products/2902325>



D-SUB plug, 9-pos., socket, assignment: 2, 3, 5, 6, 7, 9; two 35° cable entries M12 (A-coded). Bus system: CAN, CANopen®. Termination resistor via separate M12 terminator.

Repeater - PSI-REP-DNET CAN

2313423

<https://www.phoenixcontact.com/pc/products/2313423>

D-SUB bus connector

D-SUB bus connector - SUBCON-PLUS-CAN/AX/M12 - 2902326

<https://www.phoenixcontact.com/pc/products/2902326>

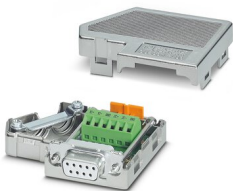


D-SUB plug, 9-pos., socket, assignment: 2, 3, 5, 6, 7, 9; two M12 cable glands (A-coded) under 180° (axial). Bus system: CAN, CANopen®. Termination resistor via separate M12 terminator.

D-SUB bus connector

D-SUB bus connector - SUBCON-PLUS-CAN - 2744694

<https://www.phoenixcontact.com/pc/products/2744694>



D-SUB connector, 9-pos. female connector, two 35° cable entries to one terminal block row, bus system: CAN, CANopen®, SafetyBUS p up to 1 Mbps, termination resistor can be switched on via slide switch, pin assignment: 2, 3, 7; screw connection terminal blocks

Repeater - PSI-REP-DNET CAN



2313423

<https://www.phoenixcontact.com/pc/products/2313423>

D-SUB bus connector

D-SUB bus connector - SUBCON-PLUS-CAN/PG - 2708119

<https://www.phoenixcontact.com/pc/products/2708119>



D-SUB connector, 9-pos. socket, 35° cable entry, bus system: CAN, CANopen®, SafetyBUS p up to 1 Mbps, with PG D-SUB socket for connecting a programming device, termination resistor can be switched on via slide switch, pin assignment: 2, 3, 7, 9; screw terminal blocks

D-SUB bus connector

D-SUB bus connector - SUBCON-PLUS-CAN/AX - 2306566

<https://www.phoenixcontact.com/pc/products/2306566>



D-SUB connector, 9-pos. female connector, axial version with two cable entries, bus system: CAN, CANopen, SafetyBUS p; pin assignment: 2, 3, 7; screw connection terminal blocks

Phoenix Contact 2022 © - all rights reserved
<https://www.phoenixcontact.com>

PHOENIX CONTACT GmbH & Co. KG
Flachsmarktstraße 8
D-32825 Blomberg
+49 (0) 5235-3 00
info@phoenixcontact.com