

# FO converters - PSI-MOS-RS422/FO1300 E



2708575

<https://www.phoenixcontact.com/pc/products/2708575>

Please be informed that the data shown in this PDF document is generated from our Online Catalog. Please find the complete data in the user documentation. Our General Terms of Use for Downloads are valid.



Fiber optic converter with integrated optical diagnostics, alarm contact, for RS-422/RS-485 4 wire/ INTERBUS up to 2 Mbps, termination device with one fiber optic interface (SC duplex), 1300 nm, for fiberglass cable

## Your advantages

- Connections can be plugged in via a COMBICON screw terminal block
- Supply voltage routed through via DIN rail connectors
- Redundant power supply possible by means of optional system power supply unit
- High-quality electrical isolation between all interfaces (INTERBUS // FO ports // supply // DIN rail connector)
- Approved for use in zone 2
- Floating switch contact for advance warning of critical FO paths
- Integrated optical diagnostics for continuous monitoring of FO paths
- Automatic data rate detection for all data rates up to 2 Mbps
- Shipbuilding approval in accordance with DNV GL

## Commercial Data

Item number	2708575
Packing unit	1 pc
Minimum order quantity	1 pc
Product Key	DNC216
Catalog Page	Page 437 (C-6-2019)
GTIN	4046356176293
Weight per Piece (including packing)	246 g
Weight per Piece (excluding packing)	190.68 g
Customs tariff number	85176200
Country of origin	DE

## Technical Data

### Notes

#### Utilization restriction

EMC note	EMC: class A product, see manufacturer's declaration in the download area
----------	---

#### Utilization restriction

CCCex note	Use in potentially explosive areas is not permitted in China.
------------	---

### Product properties

Product type	Media converter
MTTF	891 Years (SN 29500 standard, temperature 25°C, operating cycle 21%)
	397 Years (SN 29500 standard, temperature 40°C, operating cycle 34.25%)
	164 Years (SN 29500 standard, temperature 40°C, operating cycle 100%)
MTBF	544 Years (Telcordia standard, 25°C temperature, 21% operating cycle (5 days a week, 8 hours a day))
	113 Years (Telcordia standard, 40°C temperature, 34.25% operating cycle (5 days a week, 12 hours a day))

### Electrical properties

Electrical isolation	VCC // RS-422
Maximum power dissipation for nominal condition	2.75 W
Test voltage data interface/power supply	1.5 kV <sub>rms</sub> (50 Hz, 1 min.)

#### Supply

Supply voltage range	18 V DC ... 32 V DC
Nominal supply voltage	24 V DC (in acc. with UL)
Typical current consumption	110 mA (24 V DC)
Max. current consumption	≤ 2 A (For operation in a joining station, via the DIN rail connector)
Connection method	COMBICON plug-in screw terminal block

### Output data

#### Switching

Output name	Relay output
Output description	Alarm output
Number of outputs	1
Maximum switching voltage	60 V DC
	42 V AC
Limiting continuous current	1 A

### Connection data

# FO converters - PSI-MOS-RS422/FO1300 E



2708575

<https://www.phoenixcontact.com/pc/products/2708575>

## Supply

Connection method	COMBICON plug-in screw terminal block
Tightening torque	0.56 Nm ... 0.79 Nm

## Interfaces

Bit distortion, input	± 35 % (permitted)
Bit distortion, output	< 6.25 %
Signal	INTERBUS
Transmission channels	2 (1/1) RD, TD, full duplex

## Data: optical FO

No. of channels	1
Transmit capacity, minimum	-3.4 dBm (50/125 µm, multimode fiberglass)
	-4.7 dBm (62.5/125 µm, multimode fiberglass)
	-5.5 dBm (9/125 µm, singlemode fiberglass)
Transmission length incl. 3 dB system reserve	27 km (With F-G 50/125 0.7 dB/km at 1300 nm)
	22 km (with F-G 62.5/125 0.8 dB/km at 1300 nm)
	45 km (With F-E 9/125 0,4 dB/km at 1300 nm)
Transmission protocol	Transparent to protocol for RS-422 interface
Connection method	SC duplex
Wavelength	1300 nm
Minimum receiver sensitivity	-25.5 dBm (50/125 µm)
	-25.5 dBm (62,5/125 µm)
	-26.5 dBm (9/125 µm)
Maximum receiver sensitivity	0 dBm
Transmission medium	Multi-mode fiberglass
	Single-mode fiberglass

## Data: RS-422 interface in acc. with ITU-T V.11, EIA/TIA-422, DIN 66348-1

Serial transmission speed	≤ 2 Mbps
Connection method	Pluggable screw connection
Transmission length	≤ 1000 m (depending on the data rate, with shielded, twisted data cable)
Termination resistor	220 Ω
	100 Ω
	220 Ω
Conductor cross section flexible max.	2.5 mm <sup>2</sup>
Conductor cross section flexible min.	0.2 mm <sup>2</sup>
Conductor cross section solid max.	2.5 mm <sup>2</sup>
Conductor cross section solid min.	0.2 mm <sup>2</sup>
Max. AWG conductor cross section, flexible	14
Min. AWG conductor cross section, flexible	24
Single-wire/terminal point, solid AWG max.	14
Single-wire/terminal point, solid AWG min.	24
Transmission medium	Copper

# FO converters - PSI-MOS-RS422/FO1300 E



2708575

<https://www.phoenixcontact.com/pc/products/2708575>

File format/coding	UART (11 Bit, NRZ)
--------------------	--------------------

## Dimensions

Dimensional drawing	
Width	35 mm
Height	105 mm
Depth	103 mm

## Material specifications

Material	PA 6.6-FR (Housing)
----------	---------------------

## Cable / line

FO cable	
Fiber types	50/125 µm
	9/125 µm
	Fiberglass

## Environmental and real-life conditions

Ambient conditions	
Degree of protection	IP20
Ambient temperature (operation)	-20 °C ... 60 °C
Ambient temperature (storage/transport)	-40 °C ... 85 °C
Altitude	≤ 5000 m (For restrictions, see the manufacturer's declaration for altitude operation)
Permissible humidity (operation)	30 % ... 95 % (non-condensing)

## Approval data

CE	
Certificate	CE-compliant

ATEX	
Identification	<input type="checkbox"/> II 3 G Ex nA nC IIC T4 Gc X
Note	Please follow the special installation instructions in the documentation!

UL, USA / Canada	
Identification	508 Listed
	508 Recognized

# FO converters - PSI-MOS-RS422/FO1300 E



2708575

<https://www.phoenixcontact.com/pc/products/2708575>

## KC approval for South Korea

Certificate	MSIP-REI-PCK-2708575
-------------	----------------------

## Corrosive gas test

Identification	ISA-S71.04-1985 G3 Harsh Group A
----------------	----------------------------------

## Shipbuilding

Identification	DNV GL
----------------	--------

## DNV GL data

Temperature	B
Humidity	A
Vibration	A
EMC	B
Enclosure	Required protection according to the Rules shall be provided upon installation on board

## EMC data

Electromagnetic compatibility	Conformance with EMC Directive 2014/30/EU
Noise emission	EN 55011
Noise immunity	EN 61000-6-2:2005

## Electrostatic discharge

Standards/regulations	EN 61000-4-2
-----------------------	--------------

## Electrostatic discharge

Contact discharge	± 6 kV
Discharge in air	± 8 kV
Comments	Criterion B

## Electromagnetic HF field

Standards/regulations	EN 61000-4-3
-----------------------	--------------

## Electromagnetic HF field

Field intensity	10 V/m
Comments	Criterion A

## Fast transients (burst)

Standards/regulations	EN 61000-4-4
-----------------------	--------------

## Fast transients (burst)

Input	± 2 kV
Signal	± 2 kV
Comments	Criterion B

## Surge current load (surge)

Standards/regulations	EN 61000-4-5
-----------------------	--------------

## Surge current load (surge)

# FO converters - PSI-MOS-RS422/FO1300 E



2708575

<https://www.phoenixcontact.com/pc/products/2708575>

Input	± 0.5 kV
Signal	± 1 kV
Comments	Criterion B

## Conducted interference

Standards/regulations	EN 61000-4-6
-----------------------	--------------

## Conducted interference

Comments	Criterion A
Voltage	10 V

## Emitted interference

Standards/regulations	EN 55011
Comments	Class A, industrial applications
Criterion A	Normal operating behavior within the specified limits.
Criterion B	Temporary impairment to operational behavior that is corrected by the device itself.

## Standards and regulations

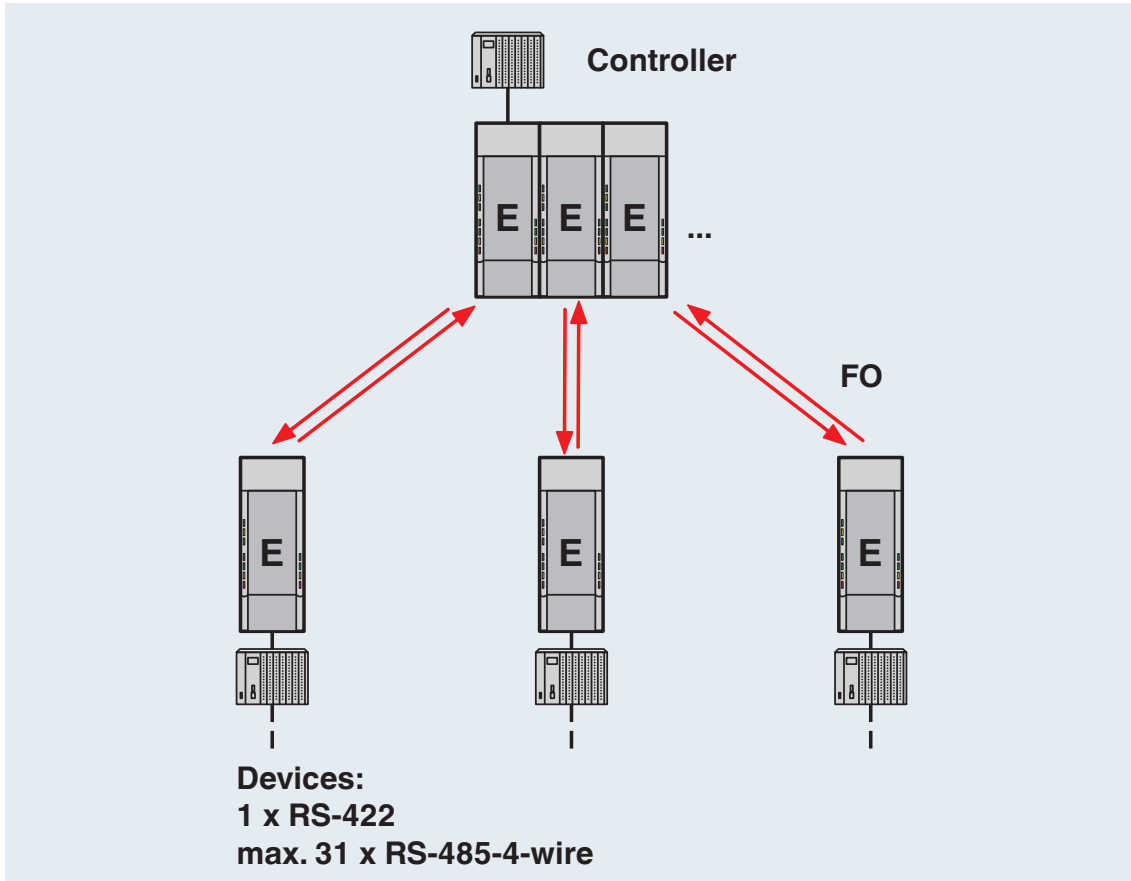
Free from substances that could impair the application of coating	in accordance with VW-AUDI-Seat central standard P-VW 3.10.7 57 65 0
---	--

## Mounting

Mounting type	DIN rail mounting
---------------	-------------------

## Drawings

Application drawing

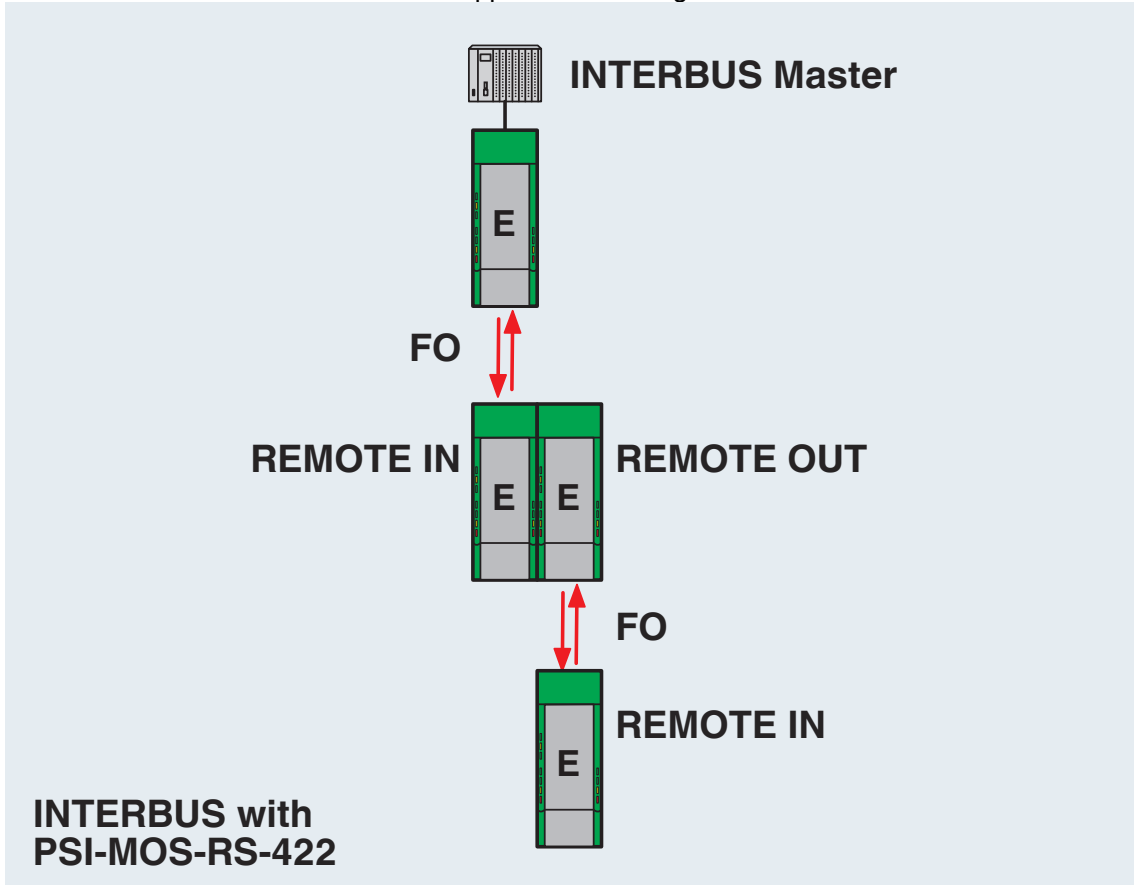


Star structure

2708575

<https://www.phoenixcontact.com/pc/products/2708575>

Application drawing



INTERBUS with PSI-MOS-RS422...



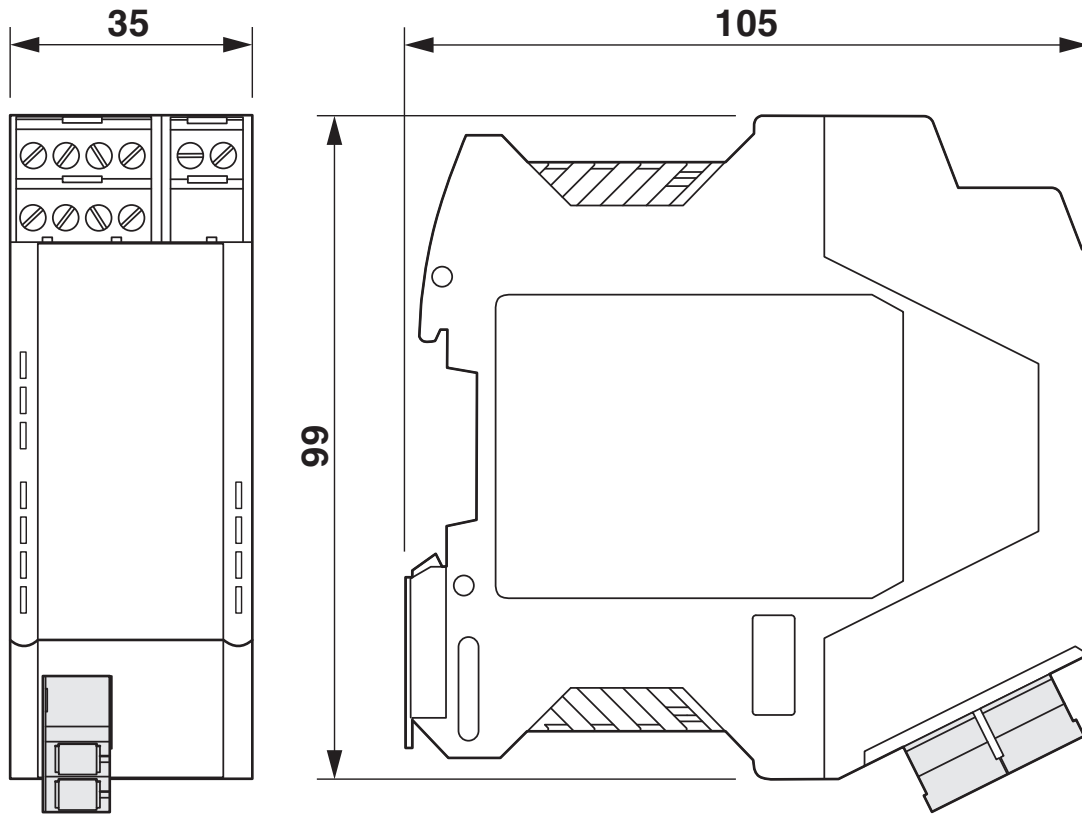
# FO converters - PSI-MOS-RS422/FO1300 E



2708575

<https://www.phoenixcontact.com/pc/products/2708575>

Dimensional drawing



Housing dimensions

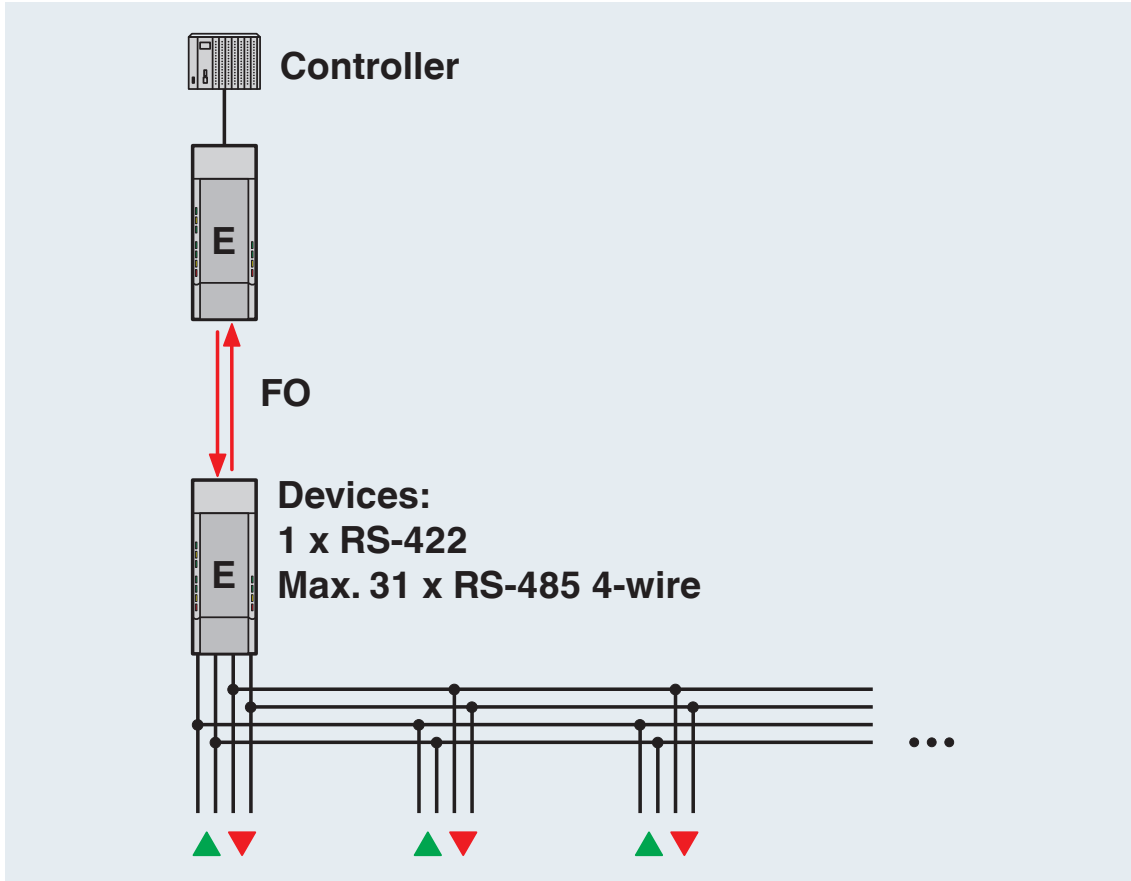
# FO converters - PSI-MOS-RS422/FO1300 E

2708575

<https://www.phoenixcontact.com/pc/products/2708575>



Application drawing



Point-to-point connection

# FO converters - PSI-MOS-RS422/FO1300 E



2708575

<https://www.phoenixcontact.com/pc/products/2708575>

## Approvals



**cUL Recognized**  
Approval ID: FILE E 238705



**UL Recognized**  
Approval ID: FILE E 238705



**DNV GL**  
Approval ID: TAA00001KR

Nominal Voltage $U_N$	Nominal Current $I_N$	Cross Section AWG	Cross Section $\text{mm}^2$
-----------------------	-----------------------	-------------------	-----------------------------

-

-



**UL Listed**  
Approval ID: FILE E 238705



**cUL Listed**  
Approval ID: FILE E 238705



**KC**  
Approval ID: MSIP-REI-PCK-2708575



**ATEX**  
Approval ID: PxCIF07ATEX2708559X

**cULus Recognized**

**cULus Listed**

# FO converters - PSI-MOS-RS422/FO1300 E



2708575

<https://www.phoenixcontact.com/pc/products/2708575>

## Classifications

### ECLASS

ECLASS-9.0	19170114
ECLASS-10.0.1	19170132
ECLASS-11.0	19170411

### ETIM

ETIM 8.0	EC001467
----------	----------

### UNSPSC

UNSPSC 21.0	43201500
-------------	----------

# FO converters - PSI-MOS-RS422/FO1300 E



2708575

<https://www.phoenixcontact.com/pc/products/2708575>

## Environmental Product Compliance

REACH SVHC	Lead 7439-92-1
China RoHS	Environmentally Friendly Use Period = 50 years
	For information on hazardous substances, refer to the manufacturer's declaration available under "Downloads"

# FO converters - PSI-MOS-RS422/FO1300 E

2708575

<https://www.phoenixcontact.com/pc/products/2708575>

## Accessories

### Power supply unit

Power supply unit - QUINT4-SYS-PS/1AC/24DC/2.5/SC - 2904614

<https://www.phoenixcontact.com/pc/products/2904614>



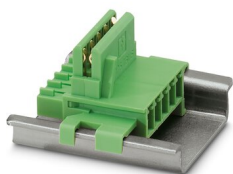
Primary-switched power supply unit, QUINT POWER, Screw connection, DIN rail mounting, input: 1-phase, output: 24 V DC / 2.5 A

---

### DIN rail bus connectors

DIN rail bus connectors - ME 17,5 TBUS 1,5/ 5-ST-3,81 GN - 2709561

<https://www.phoenixcontact.com/pc/products/2709561>



DIN rail connector for DIN rail mounting. Universal for TBUS housing. Gold-plated contacts, 5-pos.

# FO converters - PSI-MOS-RS422/FO1300 E

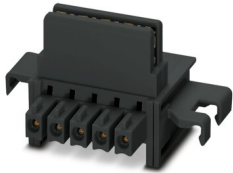
2708575

<https://www.phoenixcontact.com/pc/products/2708575>

## DIN rail bus connectors

DIN rail bus connectors - ME 17,5 TBUS 1,5/PP000-3,81 BK - 2890014

<https://www.phoenixcontact.com/pc/products/2890014>



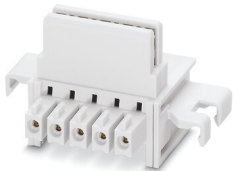
DIN rail connector for DIN rail mounting. Universal for TBUS housing. Gold-plated contacts, 2-pos.

---

## DIN rail bus connectors

DIN rail bus connectors - ME 17,5 TBUS 1,5/ 5-ST-3,81 KMGY - 2713645

<https://www.phoenixcontact.com/pc/products/2713645>



DIN rail connector, color: light grey, nominal current: 8 A (parallel contacts), rated voltage (III/2): 125 V, number of positions: 5, pitch: 3.81 mm, mounting: DIN rail mounting, locking: without, mounting: without, type of packaging: packed in cardboard, Item with gold-plated contacts, bus connectors for connecting with electronics housings, 5 parallel contacts

# FO converters - PSI-MOS-RS422/FO1300 E

2708575

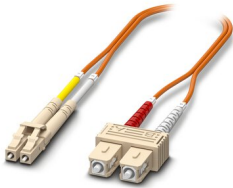
<https://www.phoenixcontact.com/pc/products/2708575>

## FO patch cable

FO patch cable - FOC-LC:PA-SC:PA-OM2:D01/1 - 1115607

<https://www.phoenixcontact.com/pc/products/1115607>

Multi-mode OM2 duplex jumper, LC-SC, UPC polishing, length 1 m



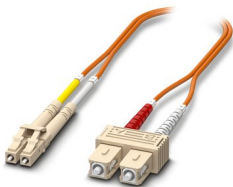
---

## FO patch cable

FO patch cable - FOC-LC:PA-SC:PA-OM2:D01/2 - 1115605

<https://www.phoenixcontact.com/pc/products/1115605>

Multi-mode OM2 duplex jumper, LC-SC, UPC polishing, length 2 m





# FO converters - PSI-MOS-RS422/FO1300 E

2708575

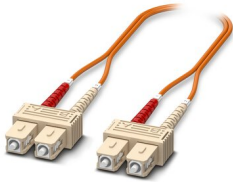
<https://www.phoenixcontact.com/pc/products/2708575>

## FO patch cable

FO patch cable - FOC-SC:PA-SC:PA-OM2:D01/1 - 1115536

<https://www.phoenixcontact.com/pc/products/1115536>

Multi-mode OM2 duplex jumper, SC-SC, UPC polishing, length 1 m



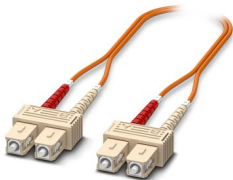
---

## FO patch cable

FO patch cable - FOC-SC:PA-SC:PA-OM2:D01/2 - 1115535

<https://www.phoenixcontact.com/pc/products/1115535>

Multi-mode OM2 duplex jumper, SC-SC, UPC polishing, length 2 m



# FO converters - PSI-MOS-RS422/FO1300 E

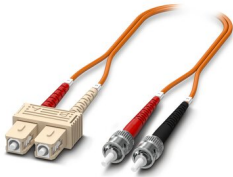
2708575

<https://www.phoenixcontact.com/pc/products/2708575>

## FO patch cable

FO patch cable - FOC-ST:PA-SC:PA-OM2:D01/1 - 1115574

<https://www.phoenixcontact.com/pc/products/1115574>



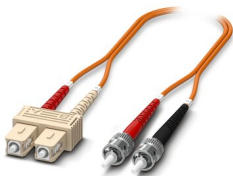
Multi-mode OM2 duplex jumper, ST-SC, UPC polishing, length 1 m

---

## FO patch cable

FO patch cable - FOC-ST:PA-SC:PA-OM2:D01/2 - 1115573

<https://www.phoenixcontact.com/pc/products/1115573>



Multi-mode OM2 duplex jumper, ST-SC, UPC polishing, length 2 m

# FO converters - PSI-MOS-RS422/FO1300 E

2708575

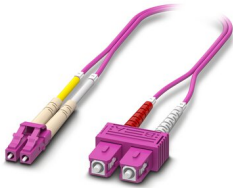
<https://www.phoenixcontact.com/pc/products/2708575>

## FO patch cable

FO patch cable - FOC-LC:PA-SC:PA-OM4:D01/1 - 1115601

<https://www.phoenixcontact.com/pc/products/1115601>

Multi-mode OM4 duplex jumper, LC-SC, UPC polishing, length 1 m



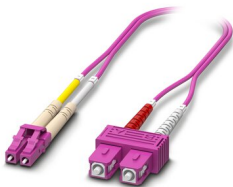
---

## FO patch cable

FO patch cable - FOC-LC:PA-SC:PA-OM4:D01/2 - 1115600

<https://www.phoenixcontact.com/pc/products/1115600>

Multi-mode OM4 duplex jumper, LC-SC, UPC polishing, length 2 m



# FO converters - PSI-MOS-RS422/FO1300 E

2708575

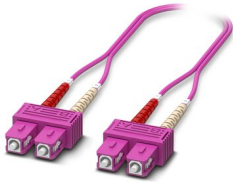
<https://www.phoenixcontact.com/pc/products/2708575>

## FO patch cable

FO patch cable - FOC-SC:PA-SC:PA-OM4:D01/1 - 1115424

<https://www.phoenixcontact.com/pc/products/1115424>

Multi-mode OM4 duplex jumper, SC-SC, UPC polishing, length 1 m



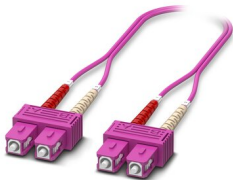
---

## FO patch cable

FO patch cable - FOC-SC:PA-SC:PA-OM4:D01/2 - 1115423

<https://www.phoenixcontact.com/pc/products/1115423>

Multi-mode OM4 duplex jumper, SC-SC, UPC polishing, length 2 m



# FO converters - PSI-MOS-RS422/FO1300 E

2708575

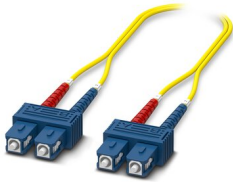
<https://www.phoenixcontact.com/pc/products/2708575>

## FO patch cable

FO patch cable - FOC-SC:PA-SC:PA-OS2:D01/1 - 1115550

<https://www.phoenixcontact.com/pc/products/1115550>

Single-mode OS2 duplex jumper, SC-SC, UPC polishing, length 1 m



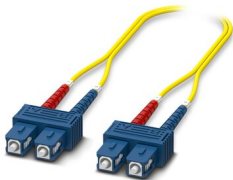
---

## FO patch cable

FO patch cable - FOC-SC:PA-SC:PA-OS2:D01/2 - 1115548

<https://www.phoenixcontact.com/pc/products/1115548>

Single-mode OS2 duplex jumper, SC-SC, UPC polishing, length 2 m



# FO converters - PSI-MOS-RS422/FO1300 E

2708575

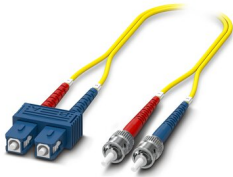
<https://www.phoenixcontact.com/pc/products/2708575>

## FO patch cable

FO patch cable - FOC-ST:PA-SC:PA-OS2:D01/1 - 1115582

<https://www.phoenixcontact.com/pc/products/1115582>

Single-mode OS2 duplex jumper, ST-SC, UPC polishing, length 1 m



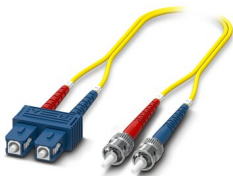
---

## FO patch cable

FO patch cable - FOC-ST:PA-SC:PA-OS2:D01/2 - 1115581

<https://www.phoenixcontact.com/pc/products/1115581>

Single-mode OS2 duplex jumper, ST-SC, UPC polishing, length 2 m



# FO converters - PSI-MOS-RS422/FO1300 E

2708575

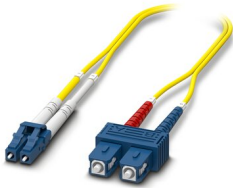
<https://www.phoenixcontact.com/pc/products/2708575>

## FO patch cable

FO patch cable - FOC-LC:PA-SC:PA-OS2:D01/1 - 1115618

<https://www.phoenixcontact.com/pc/products/1115618>

Single-mode OS2 duplex jumper, LC-SC, UPC polishing, length 1 m



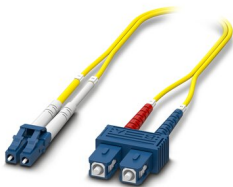
---

## FO patch cable

FO patch cable - FOC-LC:PA-SC:PA-OS2:D01/2 - 1115617

<https://www.phoenixcontact.com/pc/products/1115617>

Single-mode OS2 duplex jumper, LC-SC, UPC polishing, length 2 m



# FO converters - PSI-MOS-RS422/FO1300 E

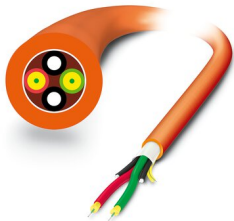
2708575

<https://www.phoenixcontact.com/pc/products/2708575>

## FO patch cable

FO patch cable - FOC-GDM-RUGGED-1016/IP20/... - 2901558

<https://www.phoenixcontact.com/pc/products/2901558>



Robust GOF installation cable for assembly (IP20 heads only) for installation in stationary systems and machines, aramid strain-relief elements, with individual elements made from FRNC material, halogen-free, ozone and UV resistant, with a polyurethane (PUR) outer sheath

---

## FO patch cable

FO patch cable - FOC-GDO-1017/IP20/... - 2901559

<https://www.phoenixcontact.com/pc/products/2901559>



Highly rugged GOF round cable (IP20 heads only) for assembly and for outdoor installation with integrated moisture barrier as well as rodent-proof scrim. Individual elements made from highly flexible FRNC material. The wire is ozone and UV resistant with a very rugged polyethylene outer sheath.



# FO converters - PSI-MOS-RS422/FO1300 E

2708575

<https://www.phoenixcontact.com/pc/products/2708575>

## FO cable

FO cable - PSM-LWL-GDO- 50/125 - 2799432

<https://www.phoenixcontact.com/pc/products/2799432>



Fiberglass cable, duplex 50/125  $\mu\text{m}$ , by the meter, without connector, for outdoor installation

---

## FO cable

FO cable - PSM-LWL-GDM-RUGGED- 50/125 - 2799322

<https://www.phoenixcontact.com/pc/products/2799322>



Fiber glass cable, duplex 50  $\mu\text{m}$ /125  $\mu\text{m}$ , by the meter, without male connector, for installation in stationary systems and machines

---

Phoenix Contact 2022 © - all rights reserved  
<https://www.phoenixcontact.com>

PHOENIX CONTACT GmbH & Co. KG  
Flachsmarktstraße 8  
D-32825 Blomberg  
+49 (0) 5235-3 00  
[info@phoenixcontact.com](mailto:info@phoenixcontact.com)