

Termination resistor - PSI-TERMINATOR-PB-TBUS



2702636

<https://www.phoenixcontact.com/pc/products/2702636>

Please be informed that the data shown in this PDF document is generated from our Online Catalog. Please find the complete data in the user documentation. Our General Terms of Use for Downloads are valid.



Active termination resistor for PROFIBUS and RS-485 bus systems, redundant power supply, routing of the supply voltage via DIN rail connector, electrical isolation, switchable termination, integrated programming interface

Product Description

PROFIBUS or other RS-485 networks can be actively terminated at the bus end using the **PSI-TERMINATOR-PB-TBUS**. This ensures safe communication even if the bus device is connected/disconnected during operation. In addition, the connectable termination enables the device to be operated as a service interface at any point in the bus system. For the operation of active programming devices, the required power supply is provided at the alternative D-SUB connection. When several devices are installed in combination, the supply voltage can be conveniently routed through the DIN rail connector.

Your advantages

- Diagnostic LEDs for voltage and data activity
- Interference-free bus communication thanks to active termination
- Compact housing design
- Fixed programming interface in the network
- Termination can be connected externally
- Installation as single device or in combination with other devices
- Extended temperature range of -40 °C ... +70 °C
- Electrical isolation of power supply and data interface
- Redundant power supply
- Supply voltage routed through a DIN rail connector for use in combination with other devices

Commercial Data

Item number	2702636
Packing unit	1 pc
Minimum order quantity	1 pc
Product Key	DNC141
Catalog Page	Page 424 (C-6-2019)
GTIN	4055626251530
Weight per Piece (including packing)	140.7 g
Weight per Piece (excluding packing)	137.1 g
Customs tariff number	85389091
Country of origin	DE

Technical Data

Notes

Utilization restriction

EMC note	EMC: class A product, see manufacturer's declaration in the download area
----------	---

Utilization restriction

CCCex note	Use in potentially explosive areas is not permitted in China.
------------	---

Product properties

Product type	Terminal resistor
MTTF	3305 Years (SN 29500 standard, temperature 25°C, operating cycle 21%)
	1923 Years (SN 29500 standard, temperature 40°C, operating cycle 34.25%)
	911 Years (SN 29500 standard, temperature 40°C, operating cycle 100%)

Insulation characteristics

Overvoltage category	II
Pollution degree	2

Electrical properties

Electrical isolation	RS-485 // VCC
Maximum power dissipation for nominal condition	0.24 W
Test voltage data interface/power supply	1.5 kV AC (50 Hz, 1 min.)

Supply

Supply voltage range	18 V DC ... 30 V DC (via pluggable COMBICON screw terminal block)
Nominal supply voltage	24 V DC (via pluggable COMBICON screw terminal block)
Typical current consumption	10 mA (24 V DC, no load on D-SUB)
	60 mA (24 V DC, current drain at D-SUB of 150 mA)
Max. current consumption	12 mA (18 V DC, no load on D-SUB)
	77 mA (18 V DC, current drain at D-SUB of 150 mA)

Function

Status and diagnostic indicators	LEDs: US (power supply), ACT (data activity)
----------------------------------	--

Connection data

Supply

Conductor cross section, flexible	0.20 mm ² ... 2.50 mm ²
Conductor cross section, rigid	0.20 mm ² ... 2.50 mm ²
Conductor cross section, flexible [AWG]	24 ... 12
Tightening torque	0.6 Nm ... 0.8 Nm

Termination resistor - PSI-TERMINATOR-PB-TBUS



2702636

<https://www.phoenixcontact.com/pc/products/2702636>

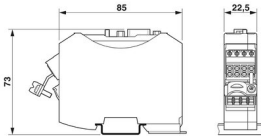
Interfaces

Signal	Modbus
	PROFIBUS

Data: PROFIBUS acc. to IEC 61158, RS-485 2-conductor

Serial transmission speed	≤ 12 Mbps
Connection method	D-SUB 9, COMBICON
Transmission length	≤ 1200 m (Depends on transmission speed and cable type)
Termination resistor	390 Ω 220 Ω 390 Ω (Can be connected)
Conductor cross section flexible max.	1.5 mm ²
Conductor cross section flexible min.	0.2 mm ²
Conductor cross section solid max.	1.5 mm ²
Conductor cross section solid min.	0.2 mm ²
Max. AWG conductor cross section, flexible	16
Min. AWG conductor cross section, flexible	24
Single-wire/terminal point, solid AWG max.	16
Single-wire/terminal point, solid AWG min.	24
Output nominal voltage	5 V DC

Dimensions

Dimensional drawing	
Width	22.5 mm
Height	92 mm
Depth	73 mm

Material specifications

Material	PA 6.6-FR (Housing)
----------	---------------------

Environmental and real-life conditions

Ambient conditions

Degree of protection	IP20
Ambient temperature (operation)	-40 °C ... 70 °C
Ambient temperature (storage/transport)	-40 °C ... 85 °C
Altitude	≤ 5000 m (For restrictions, see the manufacturer's declaration for altitude operation) ≤ 2000 m (Restrictions for ATEX applications)
Permissible humidity (operation)	10 % ... 95 % (non-condensing)

Termination resistor - PSI-TERMINATOR-PB-TBUS



2702636

<https://www.phoenixcontact.com/pc/products/2702636>

Air pressure (operation)	≤ 80 kPa (When used in EX zone 2)
--------------------------	-----------------------------------

Approval data

CE

Certificate	CE-compliant
-------------	--------------

ATEX

Identification	<input type="checkbox"/> II 3 G Ex nA IIC T4 Gc X
Note	Please follow the special installation instructions in the documentation!

UL, USA / Canada

Identification	508 Listed
----------------	------------

Corrosive gas test

Identification	ISA-S71.04-1985 G3 Harsh Group A
----------------	----------------------------------

EMC data

Electromagnetic compatibility	Conformance with EMC Directive 2014/30/EU
-------------------------------	---

Electrostatic discharge

Standards/regulations	EN 61000-4-2
-----------------------	--------------

Electrostatic discharge

Contact discharge	± 6 kV (Test Level 3)
Discharge in air	± 8 kV (Test Level 3)
Indirect discharge	± 6 kV
Comments	Criterion B

Electromagnetic HF field

Standards/regulations	EN 61000-4-3
-----------------------	--------------

Electromagnetic HF field

Frequency range	80 MHz ... 3 GHz (Test Level 3)
Field intensity	10 V/m
Comments	Criterion A

Fast transients (burst)

Standards/regulations	EN 61000-4-4
-----------------------	--------------

Fast transients (burst)

Input	± 2.2 kV (Test Level 3)
Signal	± 2.2 kV (Test Level 3)
Comments	Criterion B

Surge current load (surge)

Standards/regulations	EN 61000-4-5
-----------------------	--------------

Surge current load (surge)

Termination resistor - PSI-TERMINATOR-PB-TBUS



2702636

<https://www.phoenixcontact.com/pc/products/2702636>

Input	± 0.5 kV (sym. / asym.)
Signal	± 1 kV (Data line, asymmetrical)
Comments	Criterion B

Conducted interference

Standards/regulations	EN 61000-4-6
-----------------------	--------------

Conducted interference

Frequency range	0.15 MHz ... 80 MHz
Comments	Criterion A
Voltage	10 V

Emitted interference

Standards/regulations	EN 55011
Comments	Class A, industrial applications
Criterion A	Normal operating behavior within the specified limits.
Criterion B	Temporary impairment to operational behavior that is corrected by the device itself.

Standards and regulations

Free from substances that could impair the application of coating	in accordance with VW-AUDI-Seat central standard P-VW 3.10.7 57 65 0
---	--

Mounting

Mounting type	DIN rail mounting
---------------	-------------------

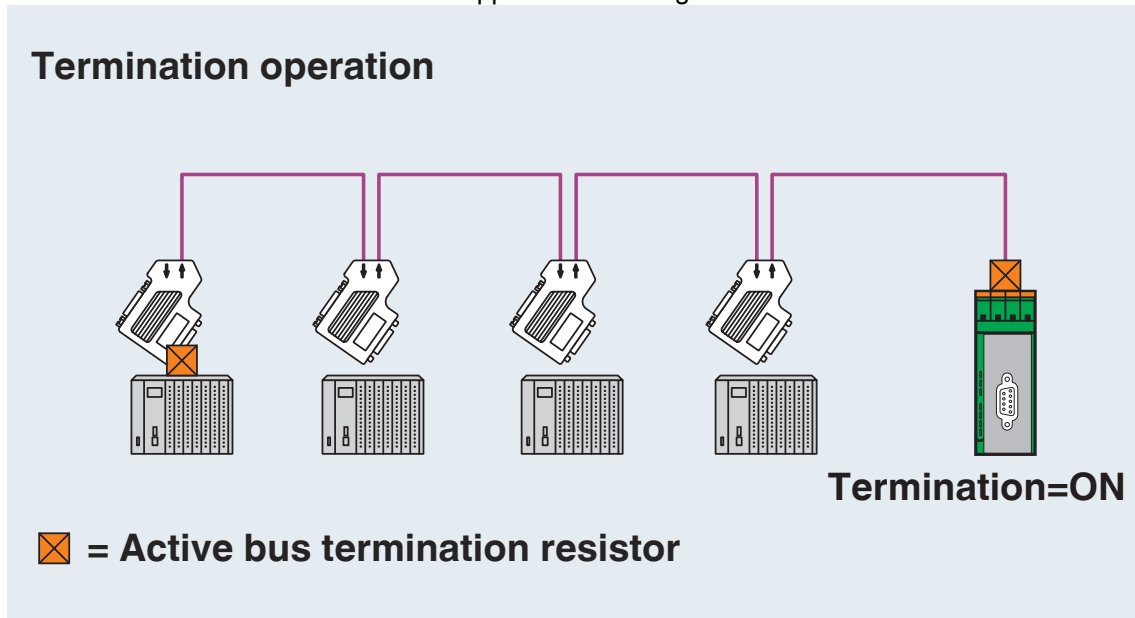
Termination resistor - PSI-TERMINATOR-PB-TBUS

2702636

<https://www.phoenixcontact.com/pc/products/2702636>

Drawings

Application drawing



Permanent termination at the end of the (professional) bus system

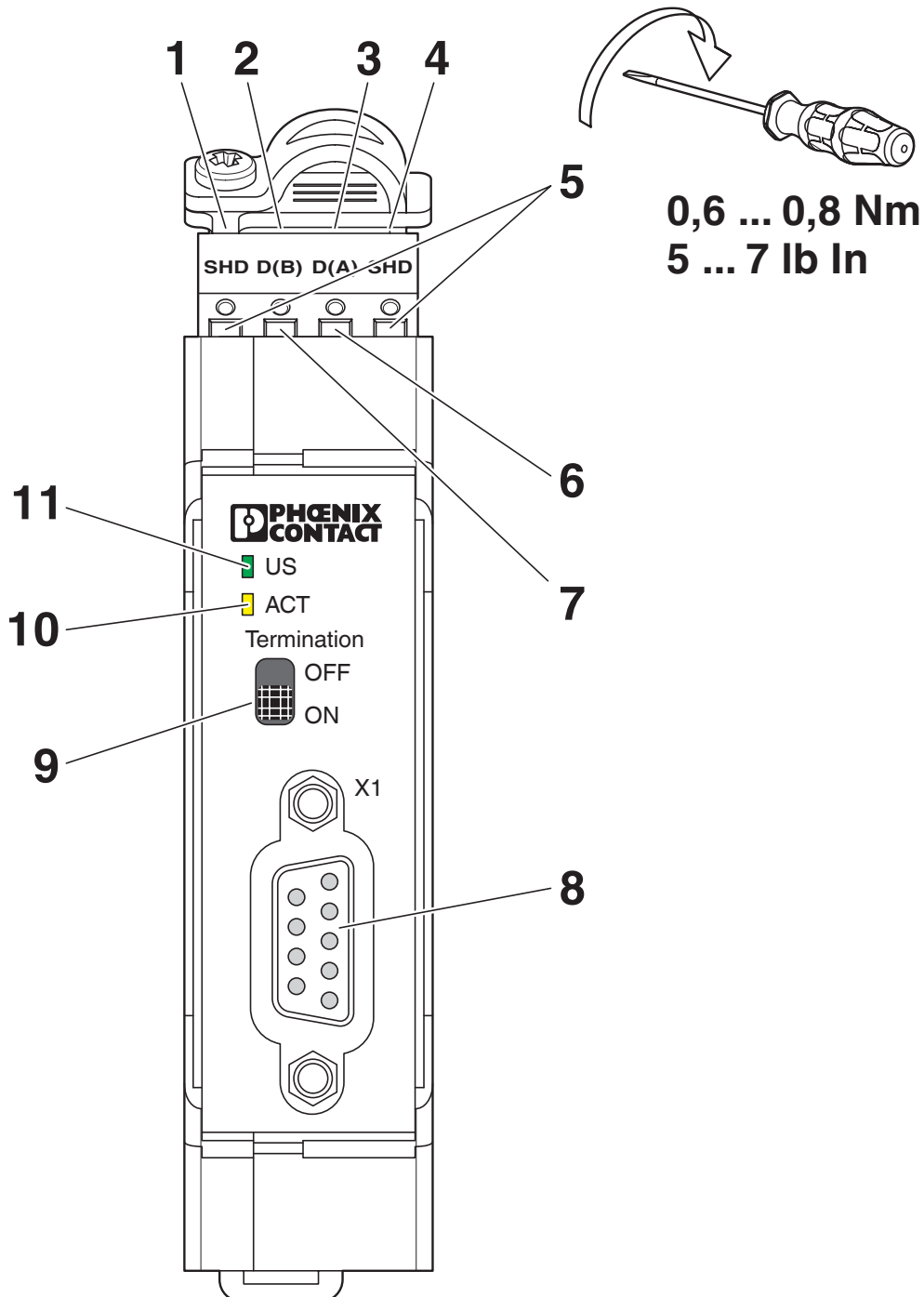
Termination resistor - PSI-TERMINATOR-PB-TBUS



2702636

<https://www.phoenixcontact.com/pc/products/2702636>

Schematic diagram



Front view

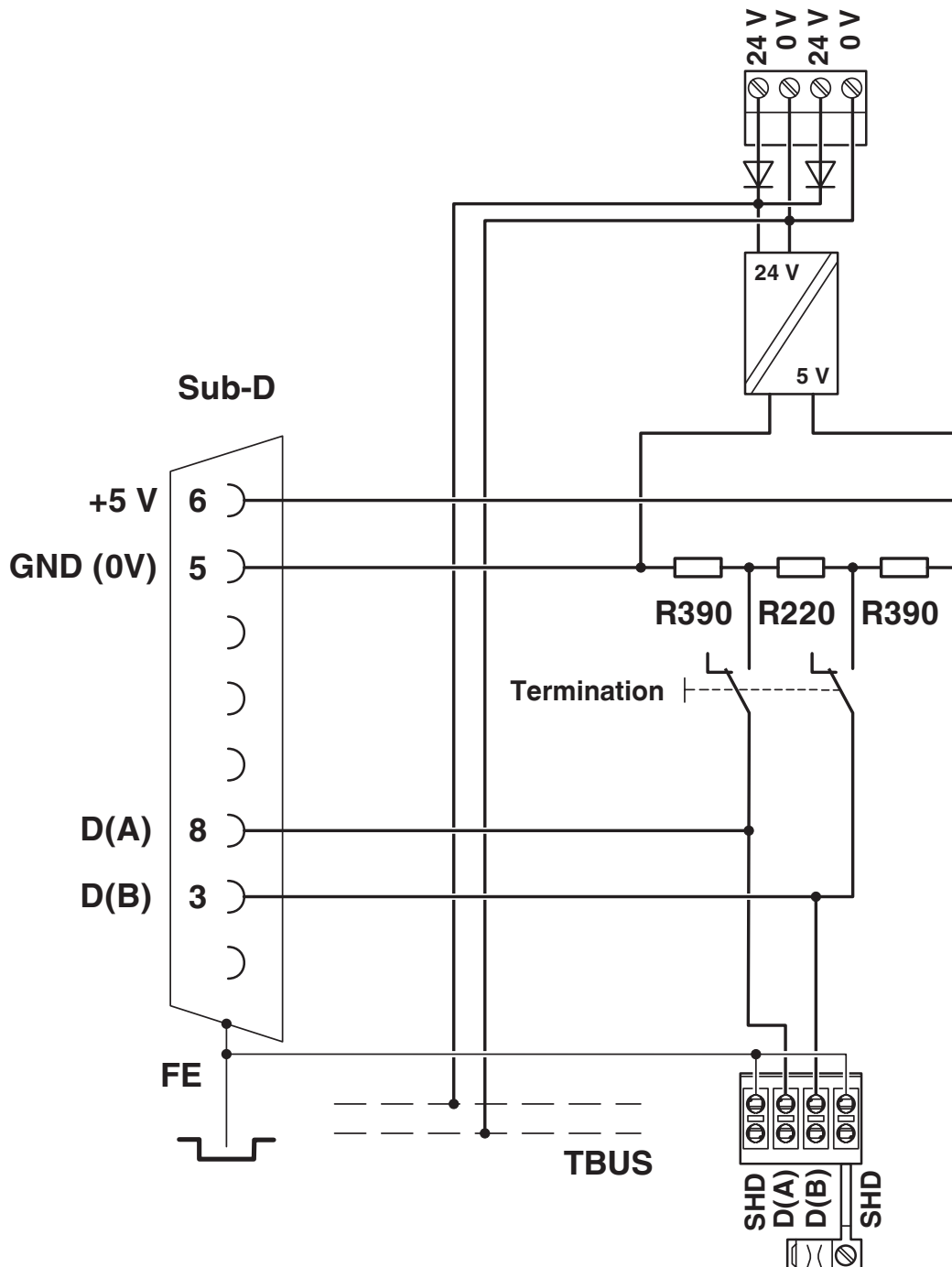
Termination resistor - PSI-TERMINATOR-PB-TBUS



2702636

<https://www.phoenixcontact.com/pc/products/2702636>

Block diagram

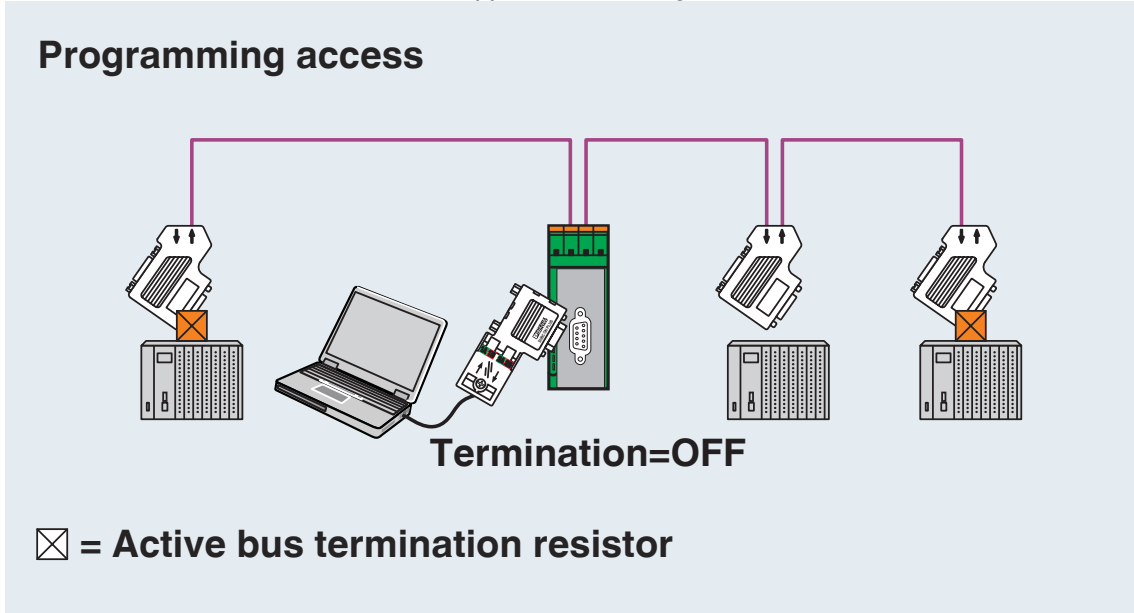


Basic circuit diagram

2702636

<https://www.phoenixcontact.com/pc/products/2702636>

Application drawing



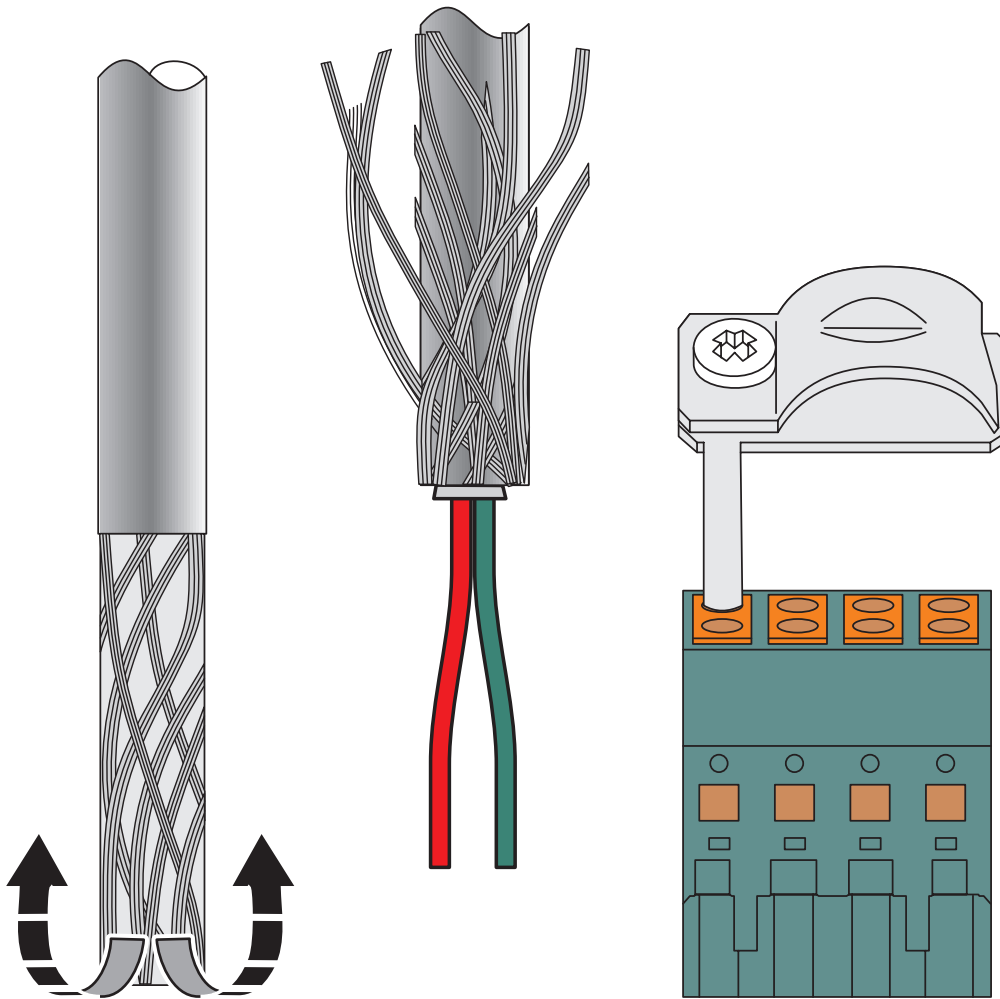
Fixed service interface in (professional) bus system

Termination resistor - PSI-TERMINATOR-PB-TBUS

2702636

<https://www.phoenixcontact.com/pc/products/2702636>

Schematic diagram



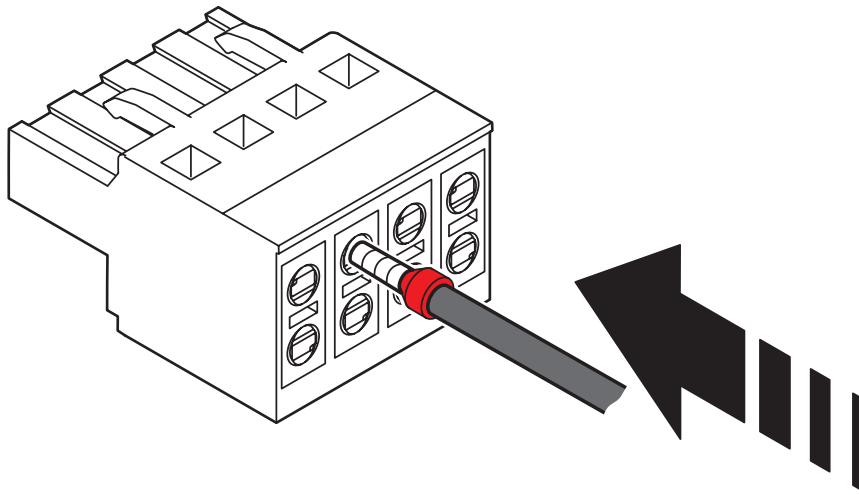
Push the braided shield back

Termination resistor - PSI-TERMINATOR-PB-TBUS

2702636

<https://www.phoenixcontact.com/pc/products/2702636>

Schematic diagram



Install signal cable

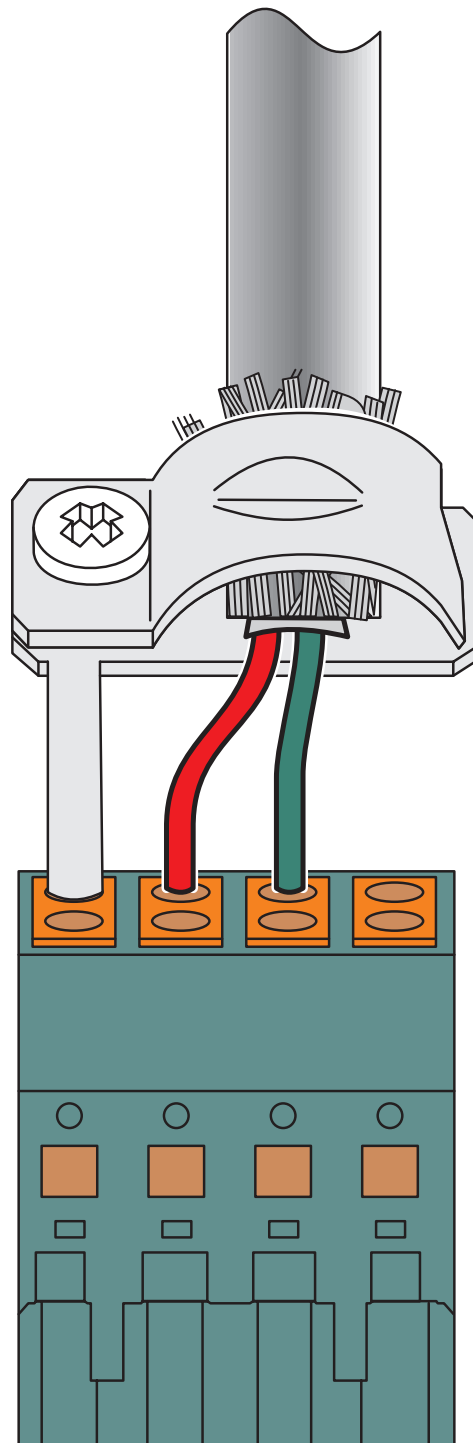
Termination resistor - PSI-TERMINATOR-PB-TBUS

2702636

<https://www.phoenixcontact.com/pc/products/2702636>



Schematic diagram



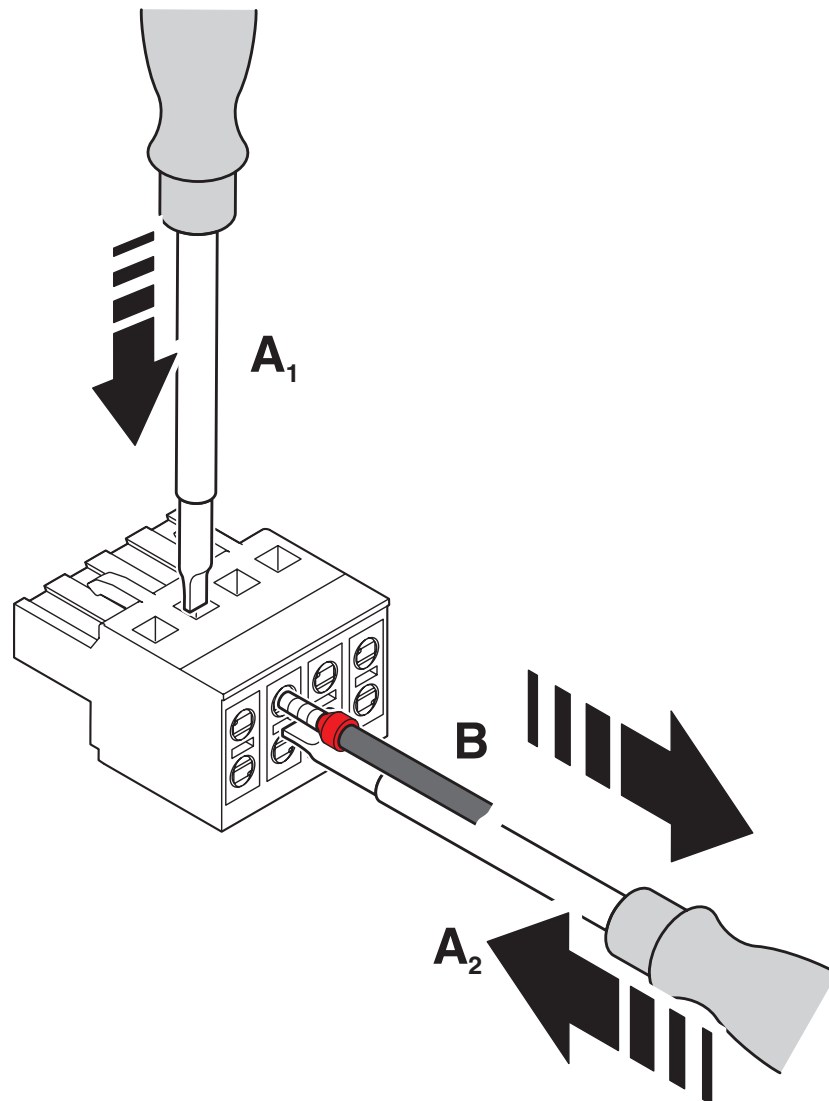
Connecting cables with a shield clamp

Termination resistor - PSI-TERMINATOR-PB-TBUS

2702636

<https://www.phoenixcontact.com/pc/products/2702636>

Schematic diagram



Deinstall signal cable

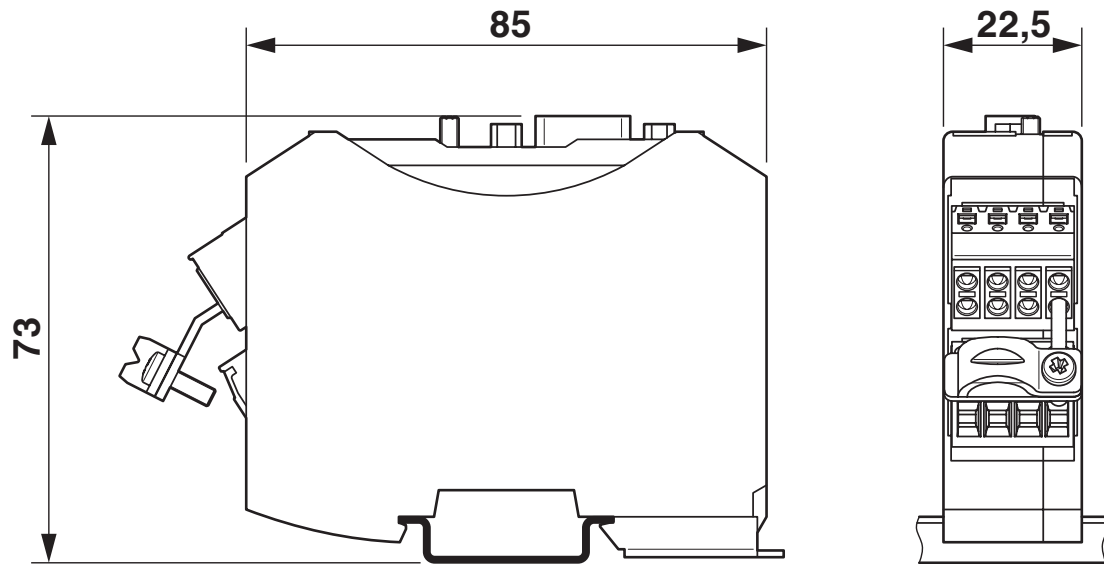
Termination resistor - PSI-TERMINATOR-PB-TBUS

2702636

<https://www.phoenixcontact.com/pc/products/2702636>



Dimensional drawing



Compact housing

Termination resistor - PSI-TERMINATOR-PB-TBUS



2702636

<https://www.phoenixcontact.com/pc/products/2702636>

Approvals



UL Listed

Approval ID: FILE E 238705



cUL Listed

Approval ID: FILE E 238705



ATEX

Approval ID: PxCIF16ATEX2702636X

cULus Listed

Termination resistor - PSI-TERMINATOR-PB-TBUS



2702636

<https://www.phoenixcontact.com/pc/products/2702636>

Classifications

ECLASS

ECLASS-9.0	19070403
ECLASS-10.0.1	19070403
ECLASS-11.0	19070403

ETIM

ETIM 8.0	EC000448
----------	----------

UNSPSC

UNSPSC 21.0	32121600
-------------	----------

Termination resistor - PSI-TERMINATOR-PB-TBUS



2702636

<https://www.phoenixcontact.com/pc/products/2702636>

Environmental Product Compliance

REACH SVHC	Lead 7439-92-1
China RoHS	Environmentally Friendly Use Period = 50 years
	For information on hazardous substances, refer to the manufacturer's declaration available under "Downloads"

Termination resistor - PSI-TERMINATOR-PB-TBUS



2702636

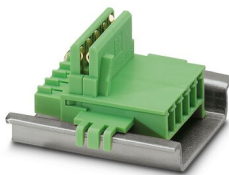
<https://www.phoenixcontact.com/pc/products/2702636>

Accessories

DIN rail bus connectors

DIN rail bus connectors - ME 22,5 TBUS 1,5/ 5-ST-3,81 GN - 2707437

<https://www.phoenixcontact.com/pc/products/2707437>



DIN rail connector, color: green, nominal current: 8 A (parallel contacts), rated voltage (III/2): 125 V, number of positions: 5, pitch: 3.81 mm, mounting: DIN rail mounting, locking: without, mounting: without, type of packaging: packed in cardboard, Item with gold-plated contacts, bus connectors for connecting with electronics housings, 5 parallel contacts

D-SUB bus connector

D-SUB bus connector - SUBCON-PLUS-PROFIB/90/IDC - 2313672

<https://www.phoenixcontact.com/pc/products/2313672>



D-SUB connector, 9-pos., male connector, 90° cable entry, bus system: PROFIBUS DP up to 12 Mbps, termination resistor can be switched on via slide switch, pin assignment: 3, 5, 6, 8; IDC terminal block connection

Termination resistor - PSI-TERMINATOR-PB-TBUS

2702636

<https://www.phoenixcontact.com/pc/products/2702636>

D-SUB bus connector

D-SUB bus connector - SUBCON-PLUS-PROFIB/90/PG/IDC - 2313685

<https://www.phoenixcontact.com/pc/products/2313685>



D-SUB connector, 9-pos., male connector, 90° cable entry, bus system: PROFIBUS DP up to 12 Mbps with PG D-SUB socket for connecting a programming device, termination resistor can be switched on via slide switch, pin assignment: 3, 5, 6, 8; IDC terminal block connection

D-SUB bus connector

D-SUB bus connector - SUBCON-PLUS-PROFIB/90/SC - 2313698

<https://www.phoenixcontact.com/pc/products/2313698>



D-SUB connector, 9-pos., male connector, 90° cable entry, bus system: PROFIBUS DP up to 12 Mbps, termination resistor can be switched on via slide switch, pin assignment: 3, 5, 6, 8; screw connection terminal blocks

Termination resistor - PSI-TERMINATOR-PB-TBUS

2702636

<https://www.phoenixcontact.com/pc/products/2702636>

D-SUB bus connector

D-SUB bus connector - SUBCON-PLUS-PROFIB/90/PB/SC - 2313708

<https://www.phoenixcontact.com/pc/products/2313708>



D-SUB connector, 9-pos., male connector, 90° cable entry, bus system: PROFIBUS DP up to 12 Mbps with PG D-SUB socket for connecting a programming device, termination resistor can be switched on via slide switch, pin assignment: 3, 5, 6, 8; screw connection terminal blocks

D-SUB bus connector

D-SUB bus connector - SUBCON-PLUS-PROFIB/35/M12 - 2902320

<https://www.phoenixcontact.com/pc/products/2902320>



D-SUB plug, 9-pos., pin, assignment: 3, 5, 6, 8; two 35° cable entries M12 (B-coded). Bus system: PROFIBUS DP up to 12 Mbps. Termination resistor via separate M12 terminator.

Termination resistor - PSI-TERMINATOR-PB-TBUS



2702636

<https://www.phoenixcontact.com/pc/products/2702636>

D-SUB bus connector

D-SUB bus connector - SUBCON-PLUS-PROFIB/90/M12 - 2902318

<https://www.phoenixcontact.com/pc/products/2902318>



D-SUB plug, 9-pos., pin, assignment: 3, 5, 6, 8; two 90° M12 cable glands (B-coded). Bus system: PROFIBUS DP up to 12 Mbps. Termination resistor via separate M12 terminator.

D-SUB bus connector

D-SUB bus connector - SUBCON-PLUS-PROFIB/90X/M12 - 2902729

<https://www.phoenixcontact.com/pc/products/2902729>



D-SUB plug, 9-pos., pin, assignment: 3, 5, 6, 8; two 90° cable entries M12 (B-coded). Bus system: PROFIBUS DP up to 12 Mbps. Termination resistor via separate M12 terminator. Long version; S7-compatible.

Termination resistor - PSI-TERMINATOR-PB-TBUS

2702636

<https://www.phoenixcontact.com/pc/products/2702636>

Bus system cable

Bus system cable - PSM-CABLE-PROFIB/FC - 2744652

<https://www.phoenixcontact.com/pc/products/2744652>



By the meter, Bus system cable, PROFIBUS (12 Mbps), shielded, PVC FR VI/PVC, violet, 2-wire (1X2XAWG22/1), color single wire: Red, green, cable length: Free entry (1.0 ... 1000.0 m)

Screwdriver

Screwdriver - SZF 0-0,4X2,5 - 1204504

<https://www.phoenixcontact.com/pc/products/1204504>



Actuation tool, for ST terminal blocks, also suitable for use as a bladed screwdriver, size: 0.4 x 2.5 x 75 mm, 2-component grip, with non-slip grip

Termination resistor - PSI-TERMINATOR-PB-TBUS

2702636

<https://www.phoenixcontact.com/pc/products/2702636>

Stripping tool

Stripping tool - PSM-STRIP-FC/PROFIB - 2744623

<https://www.phoenixcontact.com/pc/products/2744623>

Quick stripping tool for PROFIBUS cable, type Fast Connect



Stripping pliers

Stripping pliers - QUICK WIREFOX 6 - 1204384

<https://www.phoenixcontact.com/pc/products/1204384>

Stripping tool for cables with PVC insulation, stripping range: 0.08 to 6 mm², wire cutting up to 6 mm² flexible or 4 mm² rigid



Termination resistor - PSI-TERMINATOR-PB-TBUS

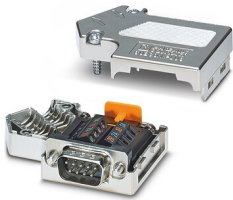
2702636

<https://www.phoenixcontact.com/pc/products/2702636>

D-SUB bus connector

D-SUB bus connector - SUBCON-PLUS-PROFIB/SC2 - 2708232

<https://www.phoenixcontact.com/pc/products/2708232>



D-SUB connector, 9-pos., male connector, 35° cable entry, bus system: PROFIBUS DP up to 12 Mbps, termination resistor can be switched on via slide switch, pin assignment: 3, 5, 6, 8; screw connection terminal blocks

D-SUB bus connector

D-SUB bus connector - SUBCON-PLUS-PROFIB/PG/SC2 - 2708245

<https://www.phoenixcontact.com/pc/products/2708245>



D-SUB connector, 9-pos., male connector, 35° cable entry, bus system: PROFIBUS DP up to 12 Mbps with PG D-SUB socket for connecting a programming device, termination resistor can be switched on via slide switch, pin assignment: 3, 5, 6, 8; screw connection terminal blocks

Termination resistor - PSI-TERMINATOR-PB-TBUS

2702636

<https://www.phoenixcontact.com/pc/products/2702636>

D-SUB bus connector

D-SUB bus connector - SUBCON-PLUS-PROFIB/AX/SC - 2744380

<https://www.phoenixcontact.com/pc/products/2744380>



D-SUB connector, 9-pos., male connector, axial version with two cable entries, bus system: PROFIBUS DP up to 12 Mbps, termination resistor can be switched on via slide switch, pin assignment: 3, 5, 6, 8; screw connection terminal blocks

Repeater

Repeater - PSI-REP-PROFIBUS/12MB - 2708863

<https://www.phoenixcontact.com/pc/products/2708863>



Modular repeater for electrical isolation and range increase for PROFIBUS up to 12 Mbps, 4-way isolation, rail-mountable, supply 24 V DC

Termination resistor - PSI-TERMINATOR-PB-TBUS

2702636

<https://www.phoenixcontact.com/pc/products/2702636>

Repeater

Repeater - PSI-REP-RS485W2 - 2313096

<https://www.phoenixcontact.com/pc/products/2313096>



Modular repeater for electrical isolation and range increase in RS-485 2-wire bus systems up to 500 kbps, 4-way isolation, rail-mountable, supply 24 V DC

Repeater

Repeater - PSM-ME-RS485/RS485-P - 2744429

<https://www.phoenixcontact.com/pc/products/2744429>



Repeater, for potential separation and range increase in RS-485 2-wire bus systems, 3-way isolation, rail-mountable

Termination resistor - PSI-TERMINATOR-PB-TBUS

2702636

<https://www.phoenixcontact.com/pc/products/2702636>



Interface converter

Interface converter - PSM-ME-RS232/RS485-P - 2744416

<https://www.phoenixcontact.com/pc/products/2744416>



Interface converter, for converting RS-232 (V.24) to RS-422 (V.11) and RS-485, with electrical isolation, 2 channels, rail-mountable

Power supply unit

Power supply unit - QUINT4-SYS-PS/1AC/24DC/2.5/SC - 2904614

<https://www.phoenixcontact.com/pc/products/2904614>



Primary-switched power supply unit, QUINT POWER, Screw connection, DIN rail mounting, input: 1-phase, output: 24 V DC / 2.5 A

Termination resistor - PSI-TERMINATOR-PB-TBUS



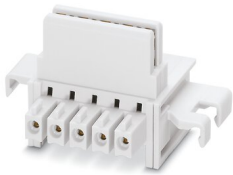
2702636

<https://www.phoenixcontact.com/pc/products/2702636>

DIN rail bus connectors

DIN rail bus connectors - ME 17,5 TBUS 1,5/ 5-ST-3,81 KMGY - 2713645

<https://www.phoenixcontact.com/pc/products/2713645>



DIN rail connector, color: light grey, nominal current: 8 A (parallel contacts), rated voltage (III/2): 125 V, number of positions: 5, pitch: 3.81 mm, mounting: DIN rail mounting, locking: without, mounting: without, type of packaging: packed in cardboard, Item with gold-plated contacts, bus connectors for connecting with electronics housings, 5 parallel contacts

Phoenix Contact 2022 © - all rights reserved

<https://www.phoenixcontact.com>

PHOENIX CONTACT GmbH & Co. KG

Flachsmarktstraße 8

D-32825 Blomberg

+49 (0) 5235-3 00

info@phoenixcontact.com