

Safety module - AXL F PSDI8/4 1F



2701559

<https://www.phoenixcontact.com/pc/products/2701559>

Please be informed that the data shown in this PDF document is generated from our Online Catalog. Please find the complete data in the user documentation. Our General Terms of Use for Downloads are valid.



Axioline F, Digital input module, Functional safety, PROFIsafe, only for connection to Phoenix Contact or Siemens controller, Digital inputs: 4 (for 2-channel assignment), 8 (for 1-channel assignment), 24 V DC, connection technology: 2-, 3-, 4-conductor, degree of protection: IP20

Product Description

The safety module is an input module from the Axioline F product range designed for use in a PROFIsafe system. The module has four safe digital inputs for two-channel assignment or eight safe digital inputs for single-channel assignment. The inputs can be parameterized according to the application and enable sensors to be integrated into the PROFIsafe system.

Your advantages

- Up to Cat. 4/PL e in accordance with EN ISO 13849-1, SIL 3 in accordance with IEC 62061, SIL 3 in accordance with IEC 61508

Commercial Data

Item number	2701559
Packing unit	1 pc
Minimum order quantity	1 pc
Product Key	DNA521
Catalog Page	Page 270 (C-6-2019)
GTIN	4046356770026
Weight per Piece (including packing)	257 g
Weight per Piece (excluding packing)	222 g
Customs tariff number	85389091
Country of origin	DE

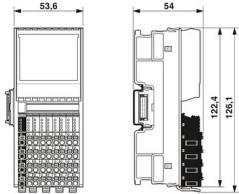
Safety module - AXL F PSDI8/4 1F

2701559

<https://www.phoenixcontact.com/pc/products/2701559>

Technical Data

Dimensions

Dimensional drawing	
Width	53.6 mm
Height	126.1 mm
Depth	54 mm
Note on dimensions	Housing dimensions

Material specifications

Color	zinc yellow RAL 1018
-------	----------------------

Interfaces

Axioline F local bus

Connection method	Bus base module
-------------------	-----------------

System properties

Module

Input address area	5 Byte
Output address area	5 Byte
Required parameter data	22 Byte ((I-and F-parameters))
Required configuration data	10 Byte

Input data

Digital

Input name	Digital inputs
Description of the input	IEC 61131-2 type 3
Number of inputs	4 (for 2-channel assignment) 8 (for 1-channel assignment)
Cable length	max. 1000 m (200 m from the clock output to the safe input (total based on forward and return path))
Connection method	Push-in connection
Connection technology	2-, 3-, 4-conductor
Input voltage	24 V DC (via clock outputs T1 and T2 or external supply)
Input voltage range	-3 V DC ... 30 V DC
Nominal input voltage U_{IN}	24 V DC
Nominal input current at U_{IN}	typ. 4.2 mA

Safety module - AXL F PSDI8/4 1F



2701559

<https://www.phoenixcontact.com/pc/products/2701559>

Typical input current per channel	4.2 mA
Input filter time	1.5 ms
	3 ms (Default)
	5 ms
	15 ms

Product properties

Type	modular
Product type	I/O component
Application	Functional safety
	PROFIsafe
	only for connection to Phoenix Contact or Siemens controller

Electrical properties

Maximum power dissipation for nominal condition	24.12 W
Transmission medium	Copper

Potentials

Protective circuit	Protection against polarity reversal, EMC protective circuit, undervoltage detection
--------------------	--

Potentials: Axioline F local bus supply (U_{BUS})

Supply voltage	5 V DC (via bus base module)
Current draw	max. 310 mA
	typ. 280 mA (all inputs set; supply by U_I of 19.2 V DC ... 30 V DC)

Potentials: Supply for digital input modules (U_I)

Supply voltage	24 V DC
Supply voltage range	19.2 V DC ... 30 V DC (including all tolerances, including ripple)
Current draw	typ. 9 mA (all inputs set; supply from U_I with 30 V DC; without supply to the sensors via clock supplies T1 and T2)

Connection data

Connection technology

Connection name	Axioline F connector
pluggable	yes

Conductor connection

Connection method	Push-in connection
Conductor cross section solid	0.2 mm ² ... 1.5 mm ²
Conductor cross section flexible	0.2 mm ² ... 1.5 mm ²
Conductor cross section AWG	24 ... 16

Axioline F connector

Connection method	Push-in connection
Conductor cross section, rigid	0.2 mm ² ... 1.5 mm ²

Safety module - AXL F PSDI8/4 1F



2701559

<https://www.phoenixcontact.com/pc/products/2701559>

Conductor cross section, flexible	0.2 mm ² ... 1.5 mm ²
Conductor cross section AWG	24 ... 16

Ambient conditions

Ambient temperature (operation)	-35 °C ... 60 °C (Mounting position: any)
Degree of protection	IP20
Air pressure (operation)	70 kPa ... 108 kPa (up to 3000 m above sea level)
Air pressure (storage/transport)	66 kPa ... 108 kPa (up to 3500 m above sea level)
Ambient temperature (storage/transport)	-40 °C ... 85 °C
Permissible humidity (operation)	10 % ... 75 % (on average, 85% infrequently, non-condensing)
Permissible humidity (storage/transport)	10 % ... 75 % (non-condensing)

Standards and regulations

Protection class	III (IEC 61140, EN 61140, VDE 0140-1)
------------------	---------------------------------------

Mounting

Mounting type	DIN rail mounting
---------------	-------------------

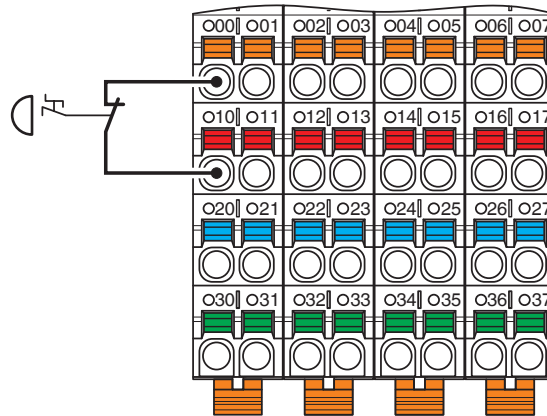
Safety module - AXL F PSDI8/4 1F

2701559

<https://www.phoenixcontact.com/pc/products/2701559>

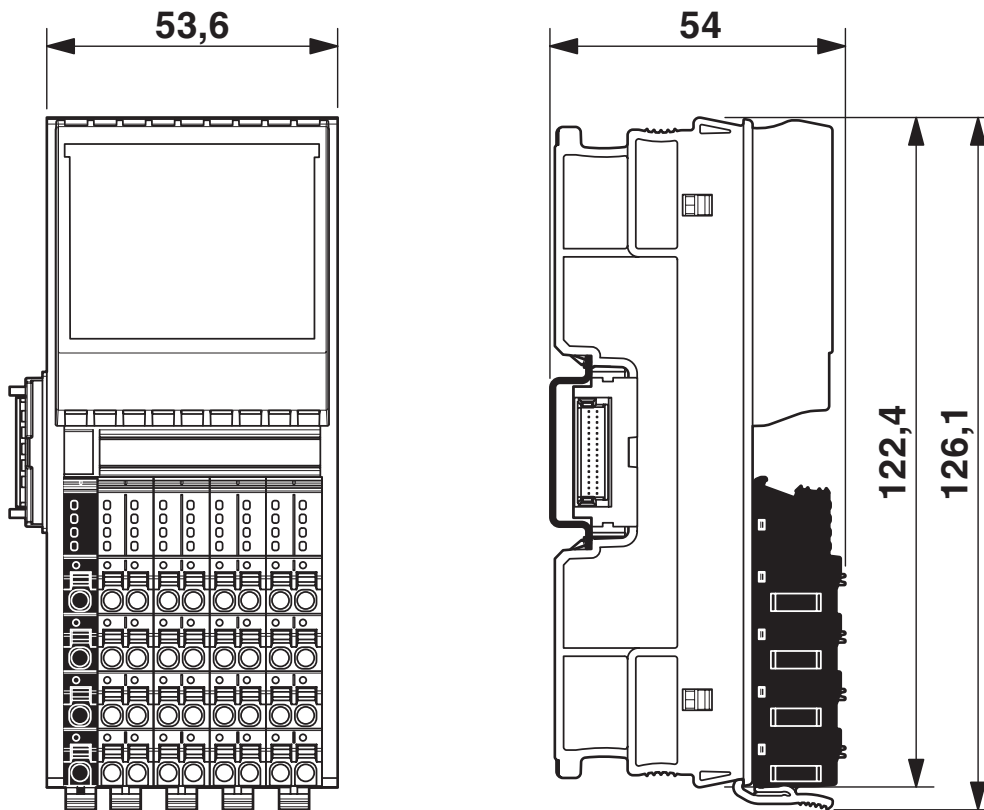
Drawings

Connection diagram



Connection example for an emergency stop circuit

Dimensional drawing



Safety module - AXL F PSDI8/4 1F



2701559

<https://www.phoenixcontact.com/pc/products/2701559>

Approvals



DNV GL

Approval ID: TAA00000DF



UL Listed

Approval ID: FILE E 238705



cUL Listed

Approval ID: FILE E 238705

BSH

Approval ID: 840



Functional Safety

Approval ID: 968/EZ 650.04/20

PROFIsafe

Approval ID: Z20119



Functional Safety

Approval ID: 968/EZ 650.04/20



Functional Safety

Approval ID: 968/EZ 650.00/14

cULus Listed

Safety module - AXL F PSDI8/4 1F



2701559

<https://www.phoenixcontact.com/pc/products/2701559>

Classifications

ECLASS

ECLASS-9.0	27242604
ECLASS-10.0.1	27242604
ECLASS-11.0	27242604

ETIM

ETIM 8.0	EC001599
----------	----------

UNSPSC

UNSPSC 21.0	32151600
-------------	----------

Safety module - AXL F PSDI8/4 1F



2701559

<https://www.phoenixcontact.com/pc/products/2701559>

Environmental Product Compliance

REACH SVHC	Lead 7439-92-1
China RoHS	Environmentally Friendly Use Period = 50 years
	For information on hazardous substances, refer to the manufacturer's declaration available under "Downloads"

Safety module - AXL F PSDI8/4 1F

2701559

<https://www.phoenixcontact.com/pc/products/2701559>

Accessories

Bus connector

Bus connector - AXL F BS F - 2688129

<https://www.phoenixcontact.com/pc/products/2688129>

Axioline F bus base module for housing type F



Zack marker strip

Zack marker strip - ZB 20,3 AXL UNPRINTED - 0829579

<https://www.phoenixcontact.com/pc/products/0829579>



Zack marker strip for Axioline F (device labeling), in 2 x 20.3 mm pitch, unprinted, 25-section, for individual labeling with B-STIFT 0.8, X-PEN, or CMS-P1-PLOTTER

Safety module - AXL F PSDI8/4 1F

2701559

<https://www.phoenixcontact.com/pc/products/2701559>

Zack Marker strip, flat

Zack Marker strip, flat - ZBF 10/5,8 AXL UNPRINTED - 0829580

<https://www.phoenixcontact.com/pc/products/0829580>



Zack Marker strip, flat, Strip, white, unlabeled, can be labeled with: PLOTMARK, CMS-P1-PLOTTER, mounting type: snapped, for terminal block width: 10.15 mm, lettering field size: 4 of 10.15 x 5 mm and 1 of 5.8 x 5 mm, Number of individual labels: 50

Insert label

Insert label - EMT (35X46)R - 0801604

<https://www.phoenixcontact.com/pc/products/0801604>



Insert label, for marking the Axioline F series from Phoenix Contact, Roll, white, unlabeled, can be labeled with: THERMOMARK ROLLMASTER 300/600, THERMOMARK X1.2, THERMOMARK ROLL X1, THERMOMARK ROLL 2.0, THERMOMARK ROLL, mounting type: insert, lettering field size: 35 x 46 mm, Number of individual labels: 500

Safety module - AXL F PSDI8/4 1F

2701559

<https://www.phoenixcontact.com/pc/products/2701559>

Insert label

Insert label - EMT (35X46)R YE - 0801605

<https://www.phoenixcontact.com/pc/products/0801605>



Insert label, for marking the Axioline F series from Phoenix Contact, Roll, yellow, unlabeled, can be labeled with: THERMOMARK ROLLMASTER 300/600, THERMOMARK X1.2, THERMOMARK ROLL X1, THERMOMARK ROLL 2.0, THERMOMARK ROLL, mounting type: insert, lettering field size: 35 x 46 mm, Number of individual labels: 500

Screwdriver

Screwdriver - SZS 0,4X2,5 VDE - 1205037

<https://www.phoenixcontact.com/pc/products/1205037>



Screwdriver, slot-headed, VDE insulated, size: 0.4 x 2.5 x 80 mm, 2-component grip, with non-slip grip

Safety module - AXL F PSDI8/4 1F

2701559

<https://www.phoenixcontact.com/pc/products/2701559>

Crimping pliers

Crimping pliers - CRIMPFOX 6 - 1212034

<https://www.phoenixcontact.com/pc/products/1212034>



Crimping pliers, for ferrules without insulating collar according to DIN 46228 Part 1 and ferrules with insulating collar according to DIN 46228 Part 4, 0.25 mm² ... 6.0 mm², lateral entry, trapezoidal crimp

Crimping pliers

Crimping pliers - CRIMPFOX DUO 10 - 1031721

<https://www.phoenixcontact.com/pc/products/1031721>



Crimping pliers, type of contact: Insulated and uninsulated ferrules, min. cross section: 0.14 mm², max. cross section: 10 mm², for TWIN ferrules up to 2 x 4 mm², automatic cross section adjustment, rotating die, lateral and frontal insertion, compression: Trapezoidal crimp, black/green

Safety module - AXL F PSDI8/4 1F



2701559

<https://www.phoenixcontact.com/pc/products/2701559>

Crimping pliers

Crimping pliers - CRIMPFOX 10T-F - 1134913

<https://www.phoenixcontact.com/pc/products/1134913>

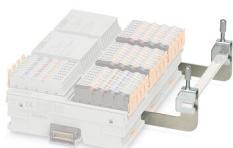


Crimping pliers, type of contact: Insulated and uninsulated ferrules, standards/specifications: DIN 46228-1, DIN 46228-4, min. cross section: 0.14 mm², max. cross section: 10 mm², For TWIN ferrules up to 2 x 4 mm², automatic cross section adjustment, frontal insertion, compression: Trapezoidal crimp, black

Shield connection

Shield connection - AXL SHIELD SET - 2700518

<https://www.phoenixcontact.com/pc/products/2700518>



Axoline shield connection set (contains 2 shield bus holders and 2 SK 5 shield connection clamps)

Phoenix Contact 2022 © - all rights reserved

<https://www.phoenixcontact.com>

PHOENIX CONTACT GmbH & Co. KG

Flachsmarktstraße 8

D-32825 Blomberg

+49 (0) 5235-3 00

info@phoenixcontact.com