

Timer relay - MACX-TR-1T-MUL



1096429

<https://www.phoenixcontact.com/pc/products/1096429>

Please be informed that the data shown in this PDF document is generated from our Online Catalog. Please find the complete data in the user documentation. Our General Terms of Use for Downloads are valid.



Multifunctional time relay, 24 V AC/DC ... 240 V AC/DC wide-range supply, with 13 functions, time range adjustable (10 ms ... 999 h:59 min), two configuration possibilities, password protection, supporting dry contacts, PNP and NPN proximity switch inputs, 2 PDTs, screw connection.

Commercial Data

Item number	1096429
Packing unit	1 pc
Minimum order quantity	1 pc
Product Key	CK4811
GTIN	4055626931791
Weight per Piece (including packing)	184.2 g
Weight per Piece (excluding packing)	184 g
Customs tariff number	85364190
Country of origin	CN

Timer relay - MACX-TR-1T-MUL



1096429

<https://www.phoenixcontact.com/pc/products/1096429>

Technical Data

Product properties

Product type	Timer relay
Mechanical service life	Approx. 3×10^7 cycles

Insulation characteristics

Overvoltage category	III
Pollution degree	3
Insulation	Basic insulation

Electrical properties

Service life electrical	approx. 1×10^5 cycles, resistive load 2000 V A
Nominal frequency	48 Hz ... 63 Hz
Nominal power consumption	2.5 VA (0.8 W)
Rated insulation voltage	300 V AC
Dielectric strength	2 kV ((2 mA, 60 s) (IEC 60947-5-1))

Input data

Nominal power consumption	2.5 VA (0.8 W)
Input voltage range	24 V AC/DC ... 240 V AC/DC (-15 % ... +10 %)
Temperature coefficient, typical	$\leq 0.01 \text{ } ^\circ\text{C}$
Recovery time	100 ms
Setting range time	10 ms ... 59999 min. (10 ms ... 999 h 59 min.)
Setting accuracy	$\leq 0.5 \text{ } \%$ (> 1 s)
Repeat accuracy	$\leq 0.05 \text{ } \%$ (> 1 s)

Control

Connection name	Non-floating, terminals A1-B1
Control pulse length	50 ms

Output data

Switching

Contact type	2 floating changeover contacts
Contact material	AgNi (90/10)
Maximum switching voltage	400 V AC
Interrupting rating (ohmic load) max.	2000 VA (8 A / 250 V AC)
Output fuse	8 A (fast-blow)

Connection data

Connection method	Screw connection
Stripping length	10 mm
Conductor cross section solid	0.2 mm ² ... 2.5 mm ²
Conductor cross section flexible	0.2 mm ² ... 2.5 mm ²

Timer relay - MACX-TR-1T-MUL



1096429

<https://www.phoenixcontact.com/pc/products/1096429>

Conductor cross section AWG	24 ... 14
Tightening torque	0.5 Nm ... 0.6 Nm (5 lb in ... 7 lb in)

Dimensions

Width	22.5 mm
Height	109 mm
Depth	114 mm

Material specifications

Flammability rating according to UL 94	V0
Housing insulation material	PBT

Environmental and real-life conditions

Ambient conditions

Degree of protection	IP20
Ambient temperature (operation)	-25 °C ... 60 °C
Ambient temperature (storage/transport)	-40 °C ... 85 °C
Altitude	≤ 2000 m
Permissible humidity (operation)	10 % ... 95 % (non-condensing)

Approval data

CE

Identification	CE-compliant
----------------	--------------

UL, USA / Canada

Identification	UL/C-UL Listed UL 508
----------------	-----------------------

CCC

Identification	GB/T 14048.5
----------------	--------------

EMC data

Low Voltage Directive	Conformance with Low Voltage Directive
Electromagnetic compatibility	Conformance with EMC directive
Noise emission	EN 61000-6-4
Noise immunity	EN 61000-6-2

Standards and regulations

Standards/regulations	IEC 60947-5-1
	IEC 61812-1

Mounting

Assembly instructions	on standard DIN rail NS 35 in accordance with EN 60715
Mounting position	any

Timer relay - MACX-TR-1T-MUL

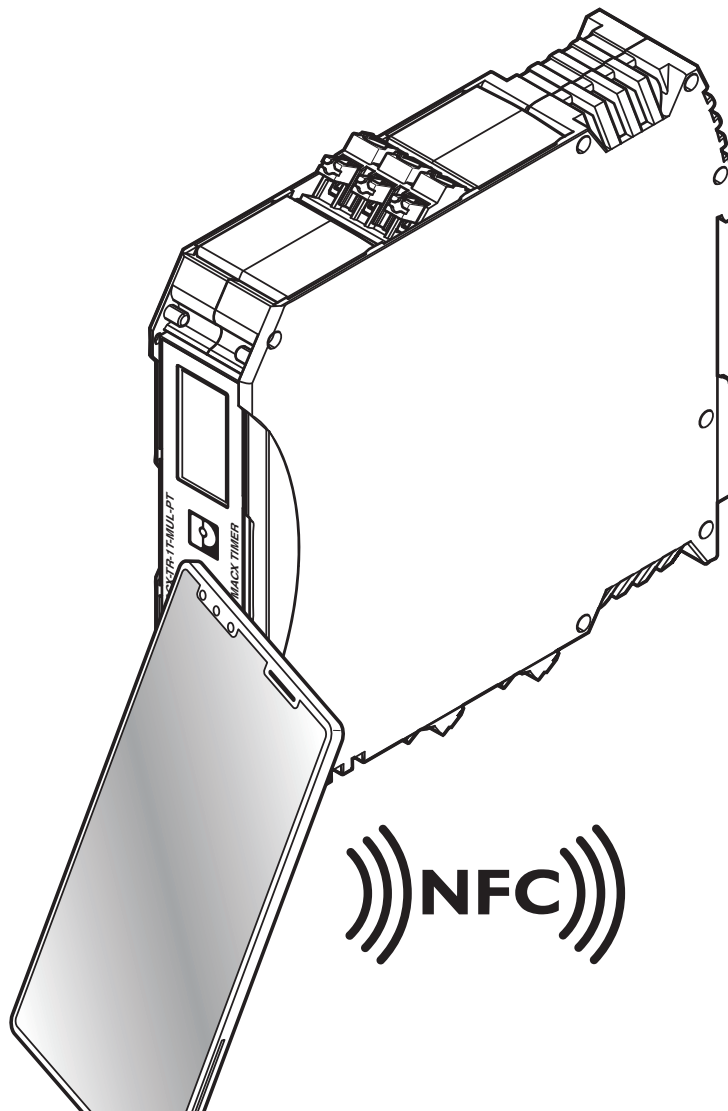
1096429

<https://www.phoenixcontact.com/pc/products/1096429>



Drawings

Schematic diagram



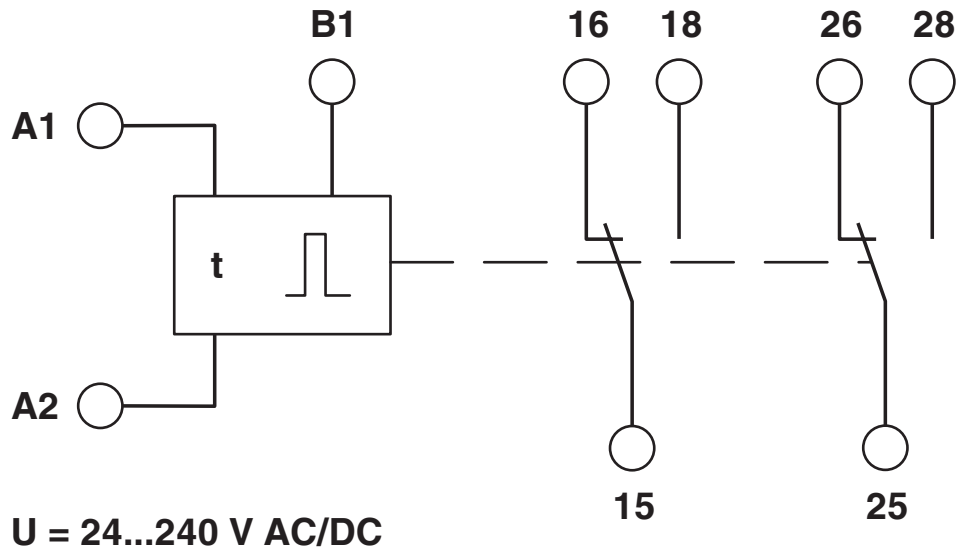
Timer relay - MACX-TR-1T-MUL

1096429

<https://www.phoenixcontact.com/pc/products/1096429>



Block diagram



Timer relay - MACX-TR-1T-MUL



1096429

<https://www.phoenixcontact.com/pc/products/1096429>

Approvals



UL Listed

Approval ID: FILE E 172140



cUL Listed

Approval ID: FILE E 172140

cULus Listed

Timer relay - MACX-TR-1T-MUL



1096429

<https://www.phoenixcontact.com/pc/products/1096429>

Classifications

ECLASS

ECLASS-9.0	27371605
ECLASS-10.0.1	27371605
ECLASS-11.0	27371605

ETIM

ETIM 8.0	EC001439
----------	----------

UNSPSC

UNSPSC 21.0	39122300
-------------	----------

Timer relay - MACX-TR-1T-MUL



1096429

<https://www.phoenixcontact.com/pc/products/1096429>

Environmental Product Compliance

REACH SVHC	Lead 7439-92-1
China RoHS	Environmentally Friendly Use Period = 50 years
	For information on hazardous substances, refer to the manufacturer's declaration available under "Downloads"

Timer relay - MACX-TR-1T-MUL

1096429

<https://www.phoenixcontact.com/pc/products/1096429>



Accessories

Adapter

Adapter - MACX-BLUETOOTH-NFC - 1142259

<https://www.phoenixcontact.com/pc/products/1142259>



Bluetooth NFC adapter

Phoenix Contact 2023 © - all rights reserved

<https://www.phoenixcontact.com>

PHOENIX CONTACT GmbH & Co. KG

Flachsmarktstraße 8

D-32825 Blomberg

+49 (0) 5235-3 00

info@phoenixcontact.com