

Timer relay - ETD-BL-2T-I-230

2907713

<https://www.phoenixcontact.com/pc/products/2907713>

Please be informed that the data shown in this PDF document is generated from our Online Catalog. Please find the complete data in the user documentation. Our General Terms of Use for Downloads are valid.



Compact impulse encoder with adjustable pulse and pause times (50 ms - 100 h), wide range power supply unit, with screw connection, 1 changeover contact

Product Description

Increasingly higher demands are being placed on safety and system availability – across all sectors. Processes are becoming more and more complex, not only in mechanical engineering and the chemical industry, but also in plant and automation technology. Demands on power engineering are also increasing constantly.

The timer relays in the ETD series can be used to control time sequences in production and process technology.

Your advantages

- Time ranges from a few milliseconds to several days
- 2 floating changeover contact outputs

Commercial Data

Item number	2907713
Packing unit	1 pc
Minimum order quantity	1 pc
Product Key	CK4541
Catalog Page	Page 257 (C-5-2019)
GTIN	4055626220758
Weight per Piece (including packing)	80.6 g
Weight per Piece (excluding packing)	79.9 g
Customs tariff number	85364900
Country of origin	AT

Timer relay - ETD-BL-2T-I-230



2907713

<https://www.phoenixcontact.com/pc/products/2907713>

Technical Data

Product properties

Product type	Timer relay
Operating mode	100% operating factor
Mechanical service life	approx. 2×10^7 cycles

Insulation characteristics

Overvoltage category	III
Pollution degree	2
Insulation	Basic insulation

Electrical properties

Service life electrical	approx. 2×10^5 cycles at ohmic load, 1000 VA
Nominal frequency	48 Hz ... 63 Hz
Nominal power consumption	2.5 VA (1 W)
Test voltage relay winding/relay contact	4 kV
Rated insulation voltage	300 V

Input data

Nominal power consumption	2.5 VA (1 W)
Input voltage range	24 V AC/DC ... 240 V AC/DC -10 % ... +15 %
Temperature coefficient, typical	≤ 0.01 %/K
Recovery time	500 ms
Function	Ip: Switched-mode beginning with the pause Ii: Switched-mode beginning with the pulse
Setting range time	50 ms ... 100 h (7 time end ranges)
Basic accuracy	± 1 % (of scale end value)
Setting accuracy	≤ 5 % (of scale end value)
Repeat accuracy	≤ 0.5 % ± 5 ms

Control

Connection name	Non-floating, terminals A1-B1
Control pulse length	≥ 50 ms (DC) ≥ 100 ms (AC)

Output data

Switching

Contact type	1 floating changeover contact
Maximum switching voltage	250 V AC (in acc. with IEC 60664-1)
Interrupting rating (ohmic load) max.	750 VA (3 A/250 V AC, module aligned, ≤ 5 mm spacing) 1250 VA (5 A/250 V AC, module not aligned, ≥ 5 mm spacing)
Output fuse	5 A (fast-blow)

Timer relay - ETD-BL-2T-I-230



2907713

<https://www.phoenixcontact.com/pc/products/2907713>

Connection data

Connection method	Screw connection
Stripping length	8 mm
Conductor cross section solid	0.5 mm ² ... 2.5 mm ²
Conductor cross section flexible	0.5 mm ² ... 2.5 mm ²
Conductor cross section AWG	20 ... 14
Tightening torque	1 Nm ... 1 Nm

LED signaling

Status display	Green LED (POWER) Yellow LED (relay active)
----------------	--

Dimensions

Width	17.5 mm
Height	89.5 mm
Depth	65.5 mm

Material specifications

Flammability rating according to UL 94	V0
--	----

Environmental and real-life conditions

Ambient conditions

Degree of protection Housing	IP40 (Housing)
Degree of protection Connection terminal blocks	IP20 (Connection terminal blocks)
Ambient temperature (operation)	-25 °C ... 55 °C -25 °C ... 40 °C (corresponds to UL 508)
Ambient temperature (storage/transport)	-25 °C ... 70 °C
Climatic class	3K3 (in acc. with EN 60721)
Permissible humidity (operation)	15 % ... 85 %

Approval data

CE

Certificate	CE-compliant
-------------	--------------

UKCA

Certificate	UKCA-compliant
-------------	----------------

EMC data

Low Voltage Directive	Conformance with Low Voltage Directive
Electromagnetic compatibility	Conformance with EMC directive
Noise emission	EN 61000-6-4
Noise immunity	EN 61000-6-2

Standards and regulations

Timer relay - ETD-BL-2T-I-230



2907713

<https://www.phoenixcontact.com/pc/products/2907713>

Standards/regulations	EN 50178
-----------------------	----------

Mounting

Mounting type	DIN rail mounting
Assembly instructions	on standard DIN rail NS 35 in accordance with EN 60715
Mounting position	any

Timer relay - ETD-BL-2T-I-230

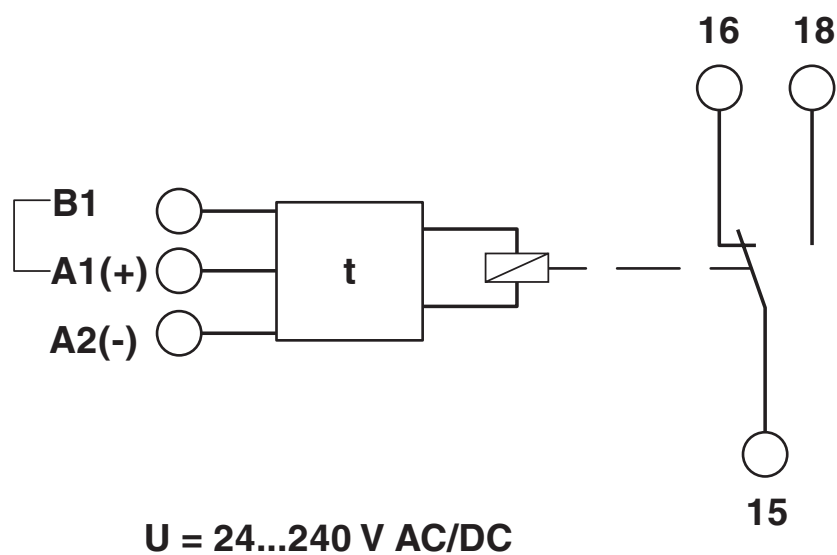
2907713

<https://www.phoenixcontact.com/pc/products/2907713>



Drawings

Block diagram



Timer relay - ETD-BL-2T-I-230

2907713

<https://www.phoenixcontact.com/pc/products/2907713>



Approvals



EAC

Approval ID: RU C-DE.**08.B-00957

Timer relay - ETD-BL-2T-I-230



2907713

<https://www.phoenixcontact.com/pc/products/2907713>

Classifications

ECLASS

ECLASS-9.0	27371605
ECLASS-10.0.1	27371605
ECLASS-11.0	27371605

ETIM

ETIM 8.0	EC001439
----------	----------

UNSPSC

UNSPSC 21.0	39122300
-------------	----------

Timer relay - ETD-BL-2T-I-230



2907713

<https://www.phoenixcontact.com/pc/products/2907713>

Environmental Product Compliance

China RoHS	Environmentally friendly use period: unlimited = EFUP-e
	No hazardous substances above threshold values

Phoenix Contact 2023 © - all rights reserved
<https://www.phoenixcontact.com>

PHOENIX CONTACT GmbH & Co. KG
Flachmarktstraße 8
D-32825 Blomberg
+49 (0) 5235-3 00
info@phoenixcontact.com