

Basic features

| | |
|---------------------|------------------------------|
| Approval/Conformity | CE cURus cULus WEEE |
| Basic standard | EN 61204 |
| Series | Standard |
| Short description | Switching power supply |
| Version | DIN rail |

Electrical connection

| | |
|------------|--------------------------|
| Connection | 0.25...4 mm ² |
|------------|--------------------------|

Electrical data

| | |
|---------------------------------|---|
| Derating | -1.67 %/°C > +40 °C / 115 VAC -2.5 %/°C > +50 °C / 230 VAC |
| Display | DC LOW DC ON |
| Efficiency typ. | 90 % |
| Hold-up time | ≥ 10 ms at 115 V AC ≥ 16 ms typ. at 230 V AC |
| Input fuse | T 6.3 A |
| Input voltage | 85...264 V AC |
| Input/output insulation voltage | 3000 V AC |
| Inrush current | ≤ 20 A at 115 V AC ≤ 40 A at 230 V AC |
| Isolation resistance | ≥ 100 MOhm |
| Output capacity max. | 240 W |
| Output voltage | 24 VDC |
| Output voltage, tolerance | +1 % |
| Protection class | I |
| Rated input current | 2.8 A at 115 V AC 1.4 A at 230 V AC |
| Rated output current | 10 A |
| Setting range | 22...28 V DC |
| Settling time | 2 ms |
| Turn-on time max. | 1 s |

Switching Power Supplies
BAE PS-XA-1W-24-100-018
Order Code: BAE0113



Working frequency 47...63 Hz

Environmental conditions

| | |
|------------------------------|--|
| Ambient temperature | -20...70 °C |
| Contamination scale | 2 |
| Cooling | Free convection |
| EN 60068-2-27, Shock | Half-sinus: 11 ms (10 G), X-axis |
| EN 60068-2-6, Vibration | Sinus waves: 10Hz to 500Hz, acceleration 19.6m/s ² (2g peak) 10 min/cycle, 60 min, X-axis |
| IP rating | IP20 |
| Over temperature | protected |
| Relative humidity | 20...95 %, non-condensing |
| Storage temperature | -40...85 °C |
| Temperature coefficient max. | ±0.03 %/K |

Material

Housing material Metal

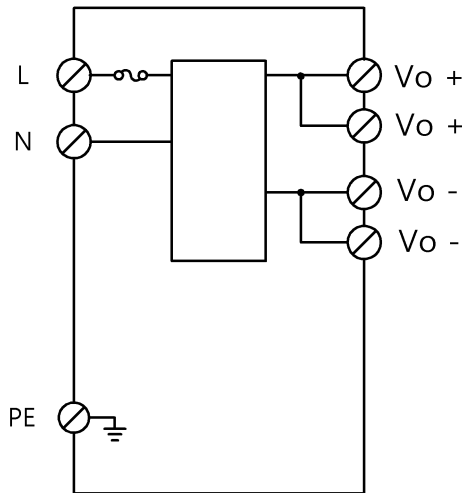
Mechanical data

| | |
|---------------|-----------------------|
| Dimension | 60 x 123.6 x 117.6 mm |
| Mounting part | DIN rail mount |
| Weight | 0.80 kg |

Remarks

Values measured at +25 °C and full load.

Wiring Diagrams (Schematic)



L