

## Basic features

Approval/Conformity	CE cURus cULus WEEE
Basic standard	EN 61204
Series	Standard
Short description	Switching power supply
Version	DIN rail

## Electrical connection

Connection	0.25...2.5 mm <sup>2</sup>
------------	----------------------------

## Electrical data

Derating	-1.0%/°C -10°C>T>-20°C -1.67%/°C > +40 °C / 115 VAC -2.5%/°C > +50 °C / 230 VAC
Display	DC LOW DC ON
Efficiency typ.	89 %
Hold-up time	≥ 16 ms typ. at 115 V AC ≥ 60 ms typ. at 230 V AC
Input fuse	F 5 AH
Input voltage	85...264 V AC
Input/output insulation voltage	3000 V AC
Inrush current	≤ 50 A at 230 V AC
Isolation resistance	≥ 100 MOhm
Output capacity max.	75 W
Output voltage	24 VDC
Output voltage, tolerance	+1 %
Protection class	I
Rated input current	1.4 A at 115 V AC 0.9 A at 230 V AC
Rated output current	3.12 A
Setting range	21.6...26 V DC
Settling time	2 ms
Turn-on time max.	1 s

Switching Power Supplies  
BAE PS-XA-1W-24-025-016  
Order Code: BAE0111



Working frequency 47...63 Hz

Environmental conditions

Ambient temperature	-20...70 °C
Contamination scale	2
Cooling	Free convection
EN 60068-2-27, Shock	Half-sinus: 11 ms (10 G), X-axis
EN 60068-2-6, Vibration	Sinus waves: 10Hz to 500Hz, acceleration 19.6m/s <sup>2</sup> (2g peak) 10 min/cycle, 60 min, X-axis
IP rating	IP20
Over temperature	protected
Relative humidity	20...95 %, non-condensing
Storage temperature	-40...85 °C
Temperature coefficient max.	±0.03 %/K

Material

Housing material Plastic

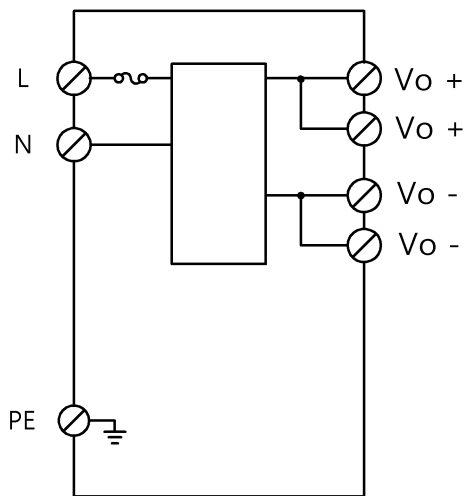
Mechanical data

Dimension	27 x 123.6 x 102 mm
Mounting part	DIN rail mount
Weight	0.22 kg

Remarks

Values measured at +25 °C and full load.

Wiring Diagrams (Schematic)



L