

CAPAROC PM IOL - Power module



1115670

<https://www.phoenixcontact.com/de/produkte/1115670>

Please be informed that the data shown in this PDF document is generated from our online catalog. Please find the complete data in the user documentation. Our general terms of use for downloads are valid.



Power module with IO-Link interface for supplying the CAPAROC circuit breaker system with 12 or 24 V DC for up to 20 channels. For DIN rail installation via the CAPAROC current rails.

Your advantages

- The benchmark that you can customize by selecting single signals and resets all the way to IO-Link and PROFINET communication
- Particularly easy operation for everyone with tool-free assembly, direct feed-in to the busbar, and clear operating states
- Exceptionally easy design-in with the comprehensive digital data packet

Commercial data

Item number	1115670
Packing unit	1 pc
Minimum order quantity	1 pc
Sales key	L1 - Schutzschalter
Product key	CLA231
GTIN	4063151040901
Weight per piece (including packing)	129,3 g
Weight per piece (excluding packing)	92 g
Customs tariff number	85363030
Country of origin	DE

1115670

<https://www.phoenixcontact.com/de/produkte/1115670>

Technical data

Product properties

Product type	Device circuit breakers
Product family	CAPAROC
Number of slots	2

Data management status

Article revision	02
------------------	----

Insulation characteristics

Protection class	III
Pollution degree	2

Electrical properties

General

Operating voltage	10 V DC ... 30 V DC
Rated voltage	12 V DC
	24 V DC
Rated current I_N	45 A DC (Total current input)
Tripping method	E (electronic)
Feedback resistance	max. 35 V DC
Dielectric strength	35 V DC (Load circuit)
Efficiency	> 99 %
Closed circuit current I_0	typ. 12 mA (no load at 24 V)
Power dissipation	typ. 0.27 W (no load at 24 V)
	< 1.5 W (in nominal operation at 24 V and 45 A)
Temperature derating	45 A (Total current at 40°C)
	30 A (Total current at 65 °C)
MTBF (IEC 61709, SN 29500)	13826266.85 h (at 25 °C with 21 % load)
	5534344.72 h (at 40°C with 34.25% load)
	687502.35 h (at 65°C with 100% load)
Voltage drop	5 mV (at 10 A)

Load circuit

Undervoltage switch-off	≤ 9.2 V DC (active)
	≥ 10.2 V DC (inactive)
Overvoltage switch-off	≥ 30.5 V DC (active)
	≤ 29.5 V DC (inactive)

Reset

Current consumption	typ. 0.5 mA (at 24 V DC)
Pulse length	≥ 50 ms

Connection data

CAPAROC PM IOL - Power module



1115670

<https://www.phoenixcontact.com/de/produkte/1115670>

Main circuit IN+

Connection method	Push-in connection
Stripping length	18 mm
Conductor cross section rigid	0.5 mm ² ... 16 mm ²
Conductor cross section AWG	20 ... 8
Conductor cross section, flexible, with ferrule, with plastic sleeve	0.5 mm ² ... 16 mm ²
Conductor cross section flexible, with ferrule without plastic sleeve	0.5 mm ² ... 16 mm ²

Main circuit IN-

Connection method	Push-in connection
Stripping length	18 mm
Conductor cross section rigid	0.5 mm ² ... 16 mm ²
Conductor cross section AWG	20 ... 8
Conductor cross section, flexible, with ferrule, with plastic sleeve	0.5 mm ² ... 16 mm ²
Conductor cross section flexible, with ferrule without plastic sleeve	0.5 mm ² ... 16 mm ²

IO-Link

Connection method	Push-in connection
Stripping length	8 mm
Conductor cross section rigid	0.2 mm ² ... 1.5 mm ²
Conductor cross section AWG	24 ... 16
Conductor cross section, flexible, with ferrule, with plastic sleeve	0.2 mm ² ... 0.75 mm ²
Conductor cross section flexible, with ferrule without plastic sleeve	0.2 mm ² ... 1.5 mm ²

Interfaces

IO-Link

Interface type	IO-Link
Specification	V1.1
Reverse polarity protection	yes
Transmission speed	230.4 kbps (COM3)
Cycle Time	min. 20 ms
Amount of process data	8 Byte (Input data) 3 Byte (Output data)
Nominal voltage for I/O supply	24 V DC
Current consumption	typ. 30 mA (IO-Link L+)
IO-Link Vendor ID	176 _{dec} , 00 B0 _{hex}
Maximum system extension	≤ 20 (Channels)

Signaling

IO-Link LED off	off (No communication)
IO-Link LED green	flashing (IO-Link connection exists)
Power (PWR) LED green	lit (Supply voltage OK)

CAPAROC PM IOL - Power module

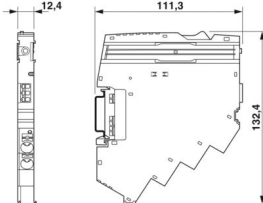


1115670

<https://www.phoenixcontact.com/de/produkte/1115670>

Power (PWR) LED red	lit (Supply voltage outside the nominal range)
	flashing (System topology changed)

Dimensions

Dimensional drawing	
Width	12.4 mm
Height	132.4 mm
Depth	111.3 mm (incl. DIN rail 7.5 mm)

Material specifications

Color	light gray (RAL 7035)
Material	PA 6
	PA 6
	PA 6
	PC
Flammability rating according to UL 94	V-0

Environmental and real-life conditions

Ambient conditions

Degree of protection	IP20
Ambient temperature (operation)	-30 °C ... 65 °C
Ambient temperature (storage/transport)	-40 °C ... 70 °C
Altitude	≤ 4000 m (amsl)
Humidity test	96 h, 95 % RH, 40 °C
Shock (operation)	30g (11 ms period, half-sine shock pulse, according to IEC 60068-2-27)
	25g (6 ms duration, half-sine shock pulse in accordance with IEC 60068-2-27, continuous shock)
Vibration (operation)	5g (10 ... 150 Hz / 10 cycles / axis / X, Y, Z)

Approvals

UL approval

Identification	UL/C-UL Listed UL 508
----------------	-----------------------

Corrosive gas test

Identification	ISA S71.04.2013 G3 Harsh Group A
----------------	----------------------------------

Standards and regulations

Standards/specifications	EN 61000-6-2
--------------------------	--------------

CAPAROC PM IOL - Power module



1115670

<https://www.phoenixcontact.com/de/produkte/1115670>

Note	EMC – Immunity for industrial areas
Standards/specifications	EN 61000-6-3
Note	EMC – Emission for residential, business and commercial properties and small operations
Standards/specifications	EN 60068-2-78
Note	Environmental influences – Moisture and heat, constant
Standards/specifications	EN 50178
Note	Equipping power installations with electronic equipment

Mounting

Mounting type	pluggable onto CAPAROC CR... current rail
---------------	---

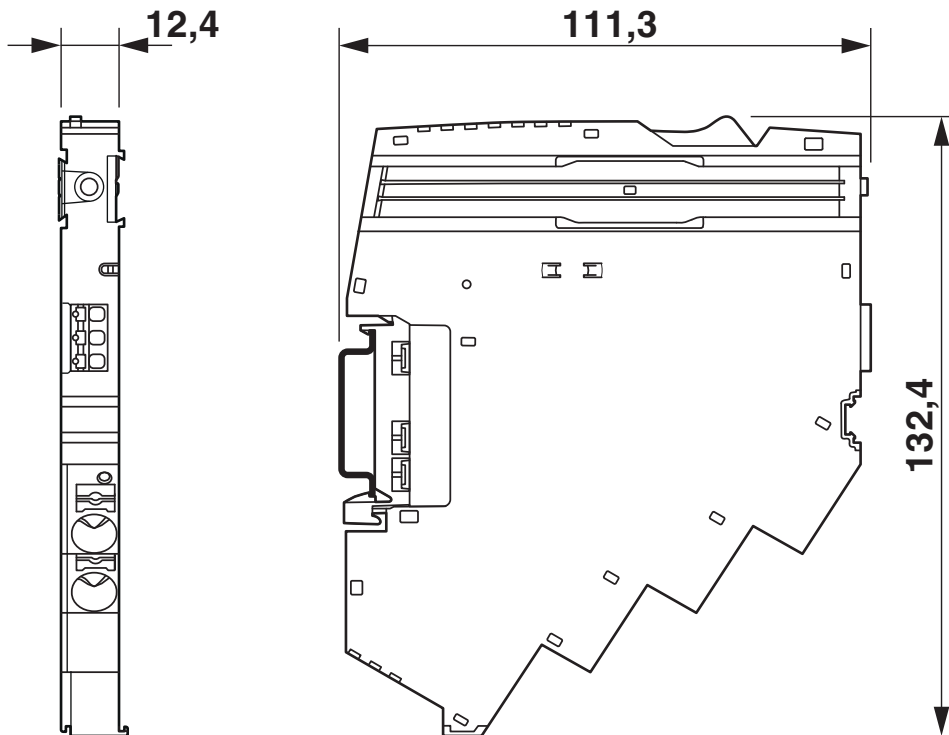
CAPAROC PM IOL - Power module

1115670

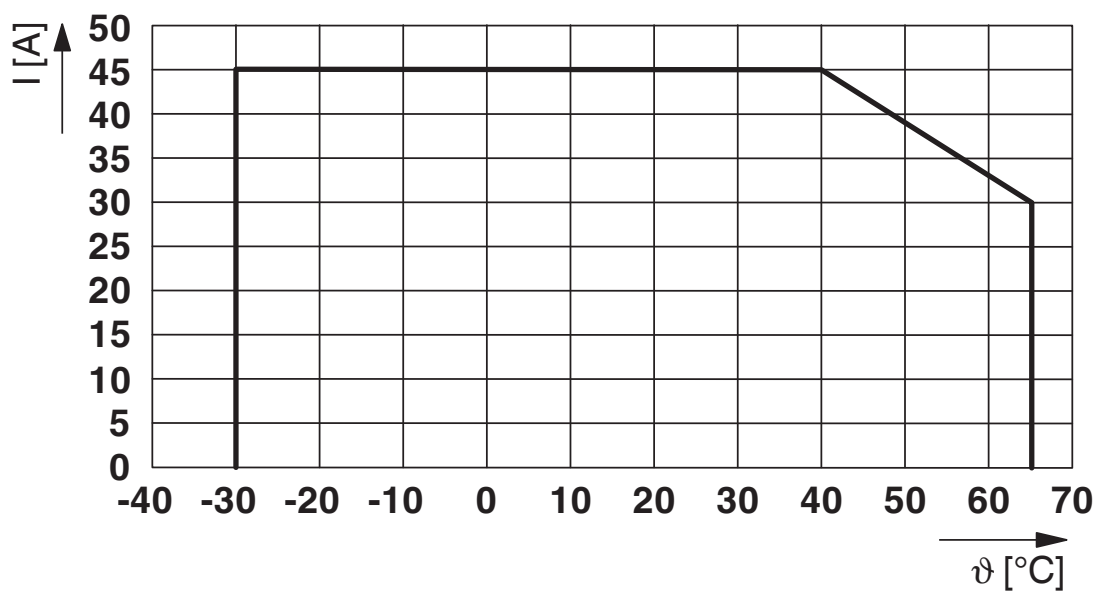
<https://www.phoenixcontact.com/de/produkte/1115670>

Drawings

Dimensional drawing



Diagram



Max. permissible current in relation to the ambient temperature

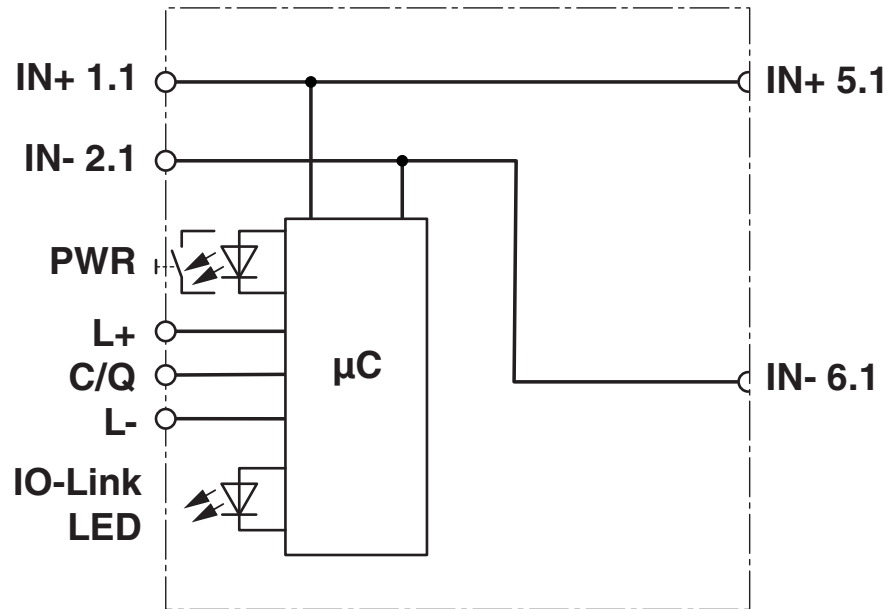
CAPAROC PM IOL - Power module



1115670

<https://www.phoenixcontact.com/de/produkte/1115670>

Block diagram



Product drawing



CAPAROC PM IOL - Power module




1115670

<https://www.phoenixcontact.com/de/produkte/1115670>

Approvals

🔗 To download certificates, visit the product detail page: <https://www.phoenixcontact.com/de/produkte/1115670>

 **UL Listed**
Approval ID: E123528

 **cUL Listed**
Approval ID: E123528

cULus Listed

CAPAROC PM IOL - Power module



1115670

<https://www.phoenixcontact.com/de/produkte/1115670>

Classifications

ECLASS

ECLASS-11.0	27140401
ECLASS-12.0	27140401
ECLASS-13.0	27140401

ETIM

ETIM 9.0	EC003538
----------	----------

UNSPSC

UNSPSC 21.0	39121400
-------------	----------

CAPAROC PM IOL - Power module



1115670

<https://www.phoenixcontact.com/de/produkte/1115670>

Environmental product compliance

EU RoHS

Fulfills EU RoHS substance requirements	Yes
Exemption	7(a), 7(c)-I

China RoHS

Environment friendly use period (EFUP)	EFUP-50
	An article-related China RoHS declaration table can be found in the download area for the respective article under "Manufacturer declaration". For all articles with EFUP-E, no China RoHS declaration table issued and required.

EU REACH SVHC

REACH candidate substance (CAS No.)	Lead(CAS: 7439-92-1)
SCIP	5447ed30-a625-4150-837d-b57361cfdd27

CAPAROC PM IOL - Power module



1115670

<https://www.phoenixcontact.com/de/produkte/1115670>

Mandatory accessories

CAPAROC CR 20 - Busbar

1110989

<https://www.phoenixcontact.com/de/produkte/1110989>

Busbar for CAPAROC system with 20 slots. For installation on a DIN rail.



CAPAROC CR 8 - Busbar

1115672

<https://www.phoenixcontact.com/de/produkte/1115672>

Busbar for the CAPAROC system with 8 slots. For installation on a DIN rail.



Accessories

CAPAROC PM IOL - Power module



1115670

<https://www.phoenixcontact.com/de/produkte/1115670>

CAPAROC E1 12-24DC/1-4A - Electronic circuit breaker

1115415

<https://www.phoenixcontact.com/de/produkte/1115415>



1-channel electronic circuit breaker module for protecting 12 and 24 V DC loads against overload and short circuit. Nominal current adjustable from 1 A to 4 A via LED button. For DIN rail installation via the CAPAROC current rails.

CAPAROC E1 12-24DC/1-10A - Electronic circuit breaker

1115649

<https://www.phoenixcontact.com/de/produkte/1115649>



1-channel electronic circuit breaker module for protecting 12 and 24 V DC loads against overload and short circuit. Nominal current adjustable from 1 A to 10 A via LED button. For DIN rail installation via the CAPAROC current rails.

CAPAROC PM IOL - Power module



1115670

<https://www.phoenixcontact.com/de/produkte/1115670>

CAPAROC E1 12-24DC/1A - Electronic circuit breaker

1157288

<https://www.phoenixcontact.com/de/produkte/1157288>



1-channel electronic circuit breaker module for protecting 12 and 24 V DC loads against overload and short circuit. With fixed nominal current. For DIN rail installation via the CAPAROC current rails.

CAPAROC E1 12-24DC/2A - Electronic circuit breaker

1157290

<https://www.phoenixcontact.com/de/produkte/1157290>



1-channel electronic circuit breaker module for protecting 12 and 24 V DC loads against overload and short circuit. With fixed nominal current. For DIN rail installation via the CAPAROC current rails.

CAPAROC PM IOL - Power module



1115670

<https://www.phoenixcontact.com/de/produkte/1115670>

CAPAROC E1 12-24DC/4A - Electronic circuit breaker

1157285

<https://www.phoenixcontact.com/de/produkte/1157285>



1-channel electronic circuit breaker module for protecting 12 and 24 V DC loads against overload and short circuit. With fixed nominal current. For DIN rail installation via the CAPAROC current rails.

CAPAROC E1 12-24DC/6A - Electronic circuit breaker

1157286

<https://www.phoenixcontact.com/de/produkte/1157286>



1-channel electronic circuit breaker module for protecting 12 and 24 V DC loads against overload and short circuit. With fixed nominal current. For DIN rail installation via the CAPAROC current rails.

CAPAROC PM IOL - Power module



1115670

<https://www.phoenixcontact.com/de/produkte/1115670>

CAPAROC E1 12-24DC/8A - Electronic circuit breaker

1157279

<https://www.phoenixcontact.com/de/produkte/1157279>



1-channel electronic circuit breaker module for protecting 12 and 24 V DC loads against overload and short circuit. With fixed nominal current. For DIN rail installation via the CAPAROC current rails.

CAPAROC E1 12-24DC/10A - Electronic circuit breaker

1157284

<https://www.phoenixcontact.com/de/produkte/1157284>



1-channel electronic circuit breaker module for protecting 12 and 24 V DC loads against overload and short circuit. With fixed nominal current. For DIN rail installation via the CAPAROC current rails.

CAPAROC PM IOL - Power module

1115670

<https://www.phoenixcontact.com/de/produkte/1115670>



CAPAROC E2 12-24DC/1-4A - Electronic circuit breaker

1115655

<https://www.phoenixcontact.com/de/produkte/1115655>



2-channel electronic circuit breaker module for protecting loads at 12 and 24 V DC against overload and short circuit with current limit. Nominal current adjustable from 1 A to 4 A using step switch. For DIN rail installation via the CAPAROC current rails.

CAPAROC E2 12-24DC/2-10A - Electronic circuit breaker

1110984

<https://www.phoenixcontact.com/de/produkte/1110984>



2-channel electronic circuit breaker module for protecting loads at 12 and 24 V DC against overload and short circuit with current limit. Nominal current adjustable from 2 A to 10 A using step switch. For DIN rail installation via the CAPAROC current rails.

CAPAROC PM IOL - Power module

1115670

<https://www.phoenixcontact.com/de/produkte/1115670>



CAPAROC E4 12-24DC/1-4A - Electronic circuit breaker

1115657

<https://www.phoenixcontact.com/de/produkte/1115657>



Four-channel electronic circuit breaker module for protecting 12 and 24 V DC loads against overload and short circuit. Nominal current adjustable from 1 A to 4 A via LED button. For DIN rail installation via the CAPAROC current rails.

CAPAROC E4 12-24DC/1-10A - Electronic circuit breaker

1115658

<https://www.phoenixcontact.com/de/produkte/1115658>



Four-channel electronic circuit breaker module for protecting 12 and 24 V DC loads against overload and short circuit. Nominal current adjustable from 1 A to 10 A via LED button. For DIN rail installation via the CAPAROC current rails.

CAPAROC PM IOL - Power module

1115670

<https://www.phoenixcontact.com/de/produkte/1115670>



CAPAROC PD 0V - Potential distributors

1110987

<https://www.phoenixcontact.com/de/produkte/1110987>



Potential distributor with Push-in connections for directly connecting the 0 V return conductor in the CAPAROC system. For DIN rail installation via the CAPAROC current rails.

USB IO-LINK ADAPTER - Programming adapter

1533311

<https://www.phoenixcontact.com/de/produkte/1533311>



IO-Link programming adapter for the USB interface, for configuring IO-Link-capable products with compatible Phoenix Contact software.

CAPAROC PM IOL - Power module



1115670

<https://www.phoenixcontact.com/de/produkte/1115670>

UC-TM 12 - Marker for terminal blocks

0819194

<https://www.phoenixcontact.com/de/produkte/0819194>



Marker for terminal blocks, Sheet, white, unlabeled, can be labeled with: BLUEMARK ID COLOR, BLUEMARK ID, BLUEMARK CLED, PLOTMARK, CMS-P1-PLOTTER, mounting type: snapped, for terminal block width: 12 mm, lettering field size: 11.45 x 10.5 mm, Number of individual labels: 40

UCT-TM 12 - Marker for terminal blocks

0829144

<https://www.phoenixcontact.com/de/produkte/0829144>



Marker for terminal blocks, Sheet, white, unlabeled, can be labeled with: TOPMARK NEO, TOPMARK LASER, BLUEMARK ID COLOR, BLUEMARK ID, BLUEMARK CLED, THERMOMARK PRIME, THERMOMARK CARD 2.0, THERMOMARK CARD, mounting type: snapped, for terminal block width: 12 mm, lettering field size: 10.8 x 9.6 mm, Number of individual labels: 30

CAPAROC PM IOL - Power module

1115670

<https://www.phoenixcontact.com/de/produkte/1115670>



CAPAROC CR EXT20 - Busbar

1115674

<https://www.phoenixcontact.com/de/produkte/1115674>

Extension busbar with 20 slots for the CAPAROC system. For installation on a DIN rail.



CAPAROC CR EXT8 - Busbar

1110990

<https://www.phoenixcontact.com/de/produkte/1110990>

Extension busbar with 8 slots for CAPAROC system. For installation on a DIN rail.



CAPAROC PM IOL - Power module

1115670

<https://www.phoenixcontact.com/de/produkte/1115670>



CAPAROC CR EXT4 - Busbar

1110991

<https://www.phoenixcontact.com/de/produkte/1110991>



Extension busbar with 4 slots for the CAPAROC system. For installation on a DIN rail.

CAPAROC CR CON - Metal part

1270955

<https://www.phoenixcontact.com/de/produkte/1270955>



Metal extension rails from connecting CAPAROC initial busbars.

Phoenix Contact 2024 © - all rights reserved
<https://www.phoenixcontact.com>

PHOENIX CONTACT Deutschland GmbH
Flachsmarktstraße 8
D-32825 Blomberg
+49 52 35/3-1 20 00
info@phoenixcontact.de